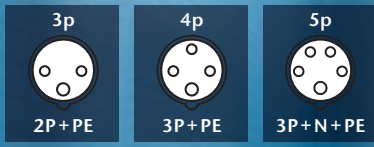


Built-in sockets



230V 50-60Hz 3p = 6h	400V 50-60Hz 4p, 5p = 6h	500V 50-60Hz 4p, 5p = 7h
-----------------------------------	---------------------------------------	---------------------------------------

Current	Voltage	Poles	Degree of protection	Hour angle	Type	Packing pcs	Weight g/pc	Dimensions page/pic.
---------	---------	-------	----------------------	------------	------	-------------	-------------	----------------------

16 A	230 V	3	IP 44	6 h	IERM 1632	8	110	22/17a
16 A	230 V	3	IP 54	6 h	IERN 1632	6	127	22/17b
16 A	400 V	4	IP 54	6 h	IERN 1643	6	146	22/17b
16 A	400 V	5	IP 54	6 h	IERN 1653	6	159	22/17b

Built-in socket straight. Space built-in socket IERM 1632 has flange dimensions only 60 x 60 mm.



32 A	230 V	3	IP 54	6 h	IERN 3232	12	185	22/17
32 A	400 V	4	IP 54	6 h	IERN 3243	12	211	22/17
32 A	400 V	5	IP 54	6 h	IERN 3253	12	235	22/17

Built-in socket straight.



16 A	400 V	5	IP 54	6 h	IERB 1653	6	156	22/18
32 A	400 V	5	IP 54	6 h	IERB 3253	12	253	22/18

Built-in socket straight.



16 A	230 V	3	IP 54	6 h	IE 1632	12	117	22/19
16 A	400 V	4	IP 54	6 h	IEN 1643	12	117	22/20
16 A	500 V	4	IP 44	7 h	IE 1645	12	122	22/19
16 A	400 V	5	IP 54	6 h	IEN 1653	12	136	22/20

Built-in socket angled.



32 A	230 V	3	IP 54	6 h	IE 3232	12	176	22/19
32 A	400 V	4	IP 54	6 h	IEN 3243	12	188	22/20
32 A	500 V	4	IP 44	7 h	IE 3245	12	187	22/19
32 A	400 V	5	IP 54	6 h	IEN 3253	12	209	22/20

Built-in socket angled.

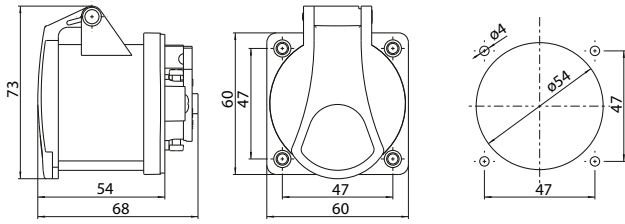


16 A	400 V	5	IP 54	6 h	IEB 1653	12	151	22/20
32 A	400 V	5	IP 54	6 h	IEB 3253	10	262	22/20

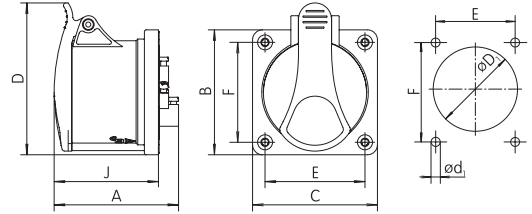
Built-in socket angled.



17a IERM / 1632

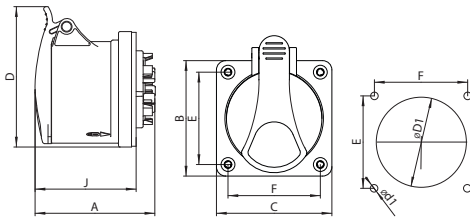


17b IERN / 16A, 32A



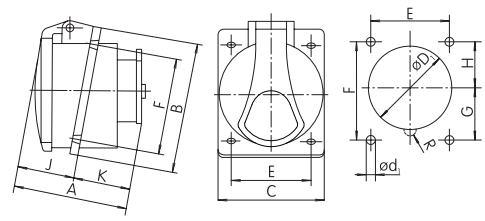
Type / mm	A	B	C	øD1	ød1	D	E	F	J
IERN 1632	73	75	75	57	4	88	60	60	61
IERN 1643	74	75	75	57	4	88	60	60	62
IERN 1653	75	75	75	57	4	91	60	60	63
IERN 3232	91	75	75	64	4	96	60	60	72
IERN 3243	91	75	75	64	4	96	60	60	72
IERN 3253	91	75	75	64	4	103	60	60	75

18 IERB / 16A, 32A



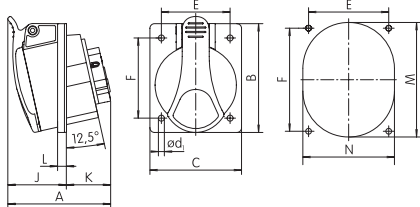
Type / mm	A	B	C	øD1	ød1	D	E	F	J
IERB 1653	78	75	75	57	4	91	60	60	66
IERB 3253	97	75	75	64	4	103	60	60	78

19 IE / 16A, 32A



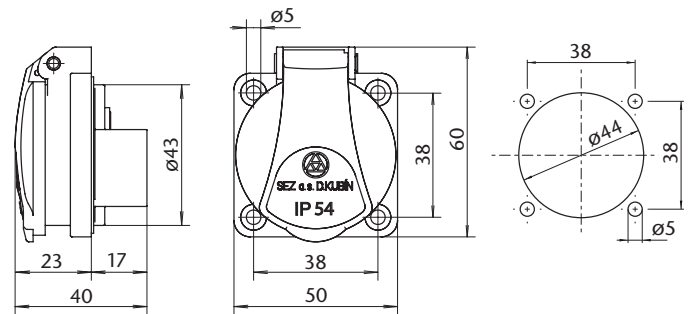
Type / mm	A	B	C	øD1	ød1	E	F	G	H	J	K
IE 1632	61	85	75	56	5,5	60	60	30	30	32	29
IE 1645	72	85	75	62	5,5	60	60	31	29	33	39
IE 3232	84	95	80	68	5,5	60	70	38	32	42	42
IE 3245	84	95	80	68	5,5	60	70	38	32	42	42

20 IEN, IEB / 16A, 32A

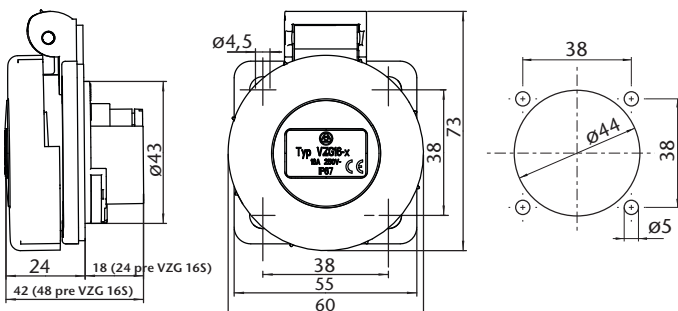


Type / mm	A	B	C	ød1	J	E	F	K	L	M	N
IEN 1643	73	85	75	5,2	42	60	60	31	7	66	58
IEN 1653	75	85	75	5,2	43	60	60	32	7	72	64
IEB 1653	85	85	75	5,2	42	60	60	43	7	72	64
IEN 3243	90	95	80	5,2	52	60	70	38	8	78	68
IEN 3253	90	95	80	5,2	52	60	70	39	8	84	70
IEB 3253	106	95	80	5,2	52	60	70	55	8	84	70

21 VZ / 16A



22 VZG / 16A



23 VZ 48 / 10A

