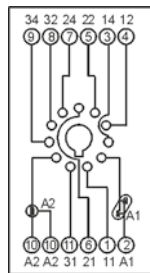


**GZP11**

For R15 - 3 CO

Screw terminals  
 Max. tightening moment  
 for the terminal: 0,5 Nm  
 35 mm rail mount  
 acc. to EN 60715  
 or on panel mounting  
 73 x 38,2 x 27,2 mm  
 Three poles  
 12 A, 300 V AC

**Connection diagram**

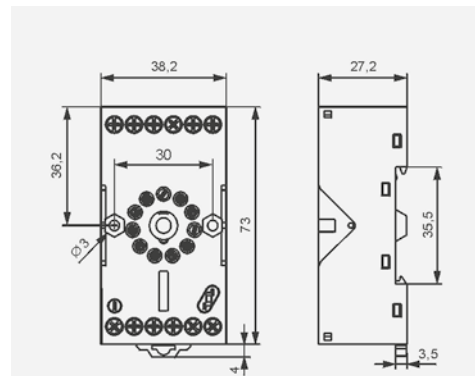
Time module COM3



GZP-0054



GZP-0035

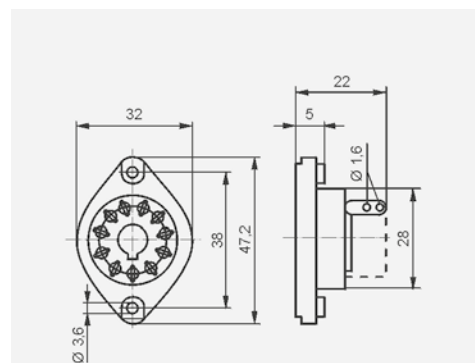
**Dimensions****Accessories****GOP11**

For R15 - 3 CO

Solder terminals  
 47,2 x 32 x 22 mm  
 Three poles  
 10 A, 250 V AC

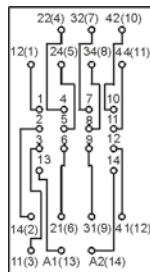
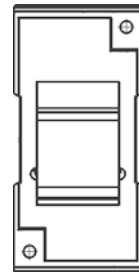


R159 1051

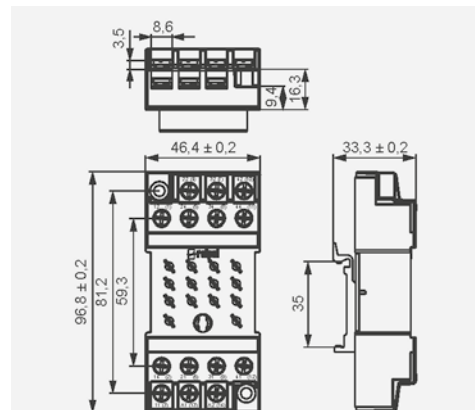
**Dimensions****Accessories****GZ14U**

For R15 - 4 CO

Screw terminals  
 Max. tightening moment  
 for the terminal: 0,7 Nm  
 35 mm rail mount  
 acc. to EN 60715  
 96,8 x 46,4 x 33,3 mm  
 Four poles  
 10 A, 250 V AC

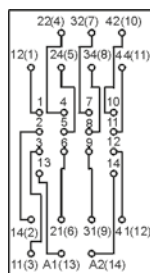
**Connection diagram****Adaptor**

GZ14 0737

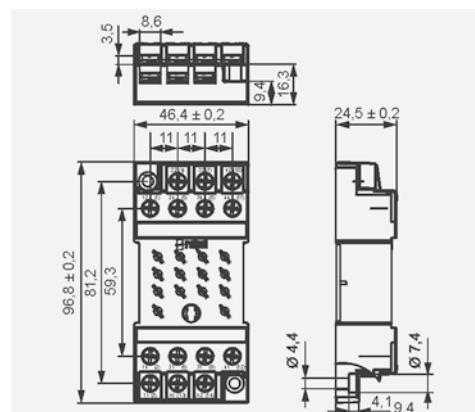
**Dimensions****Accessories****GZ14**

For R15 - 4 CO

Screw terminals  
 Max. tightening moment  
 for the terminal: 0,7 Nm  
 On panel mounting  
 96,8 x 46,4 x 24,5 mm  
 Four poles  
 10 A, 250 V AC

**Connection diagram****Mounting dimensions**

GZ14 0737

**Dimensions****Accessories**