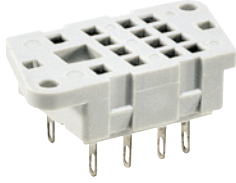


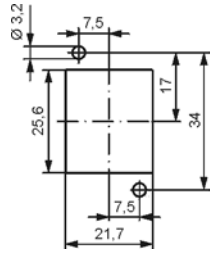
G4/2

For R2N

Solder terminals
40,5 x 21,5 x 18,1 mm
Two poles
12 A, 250 V AC

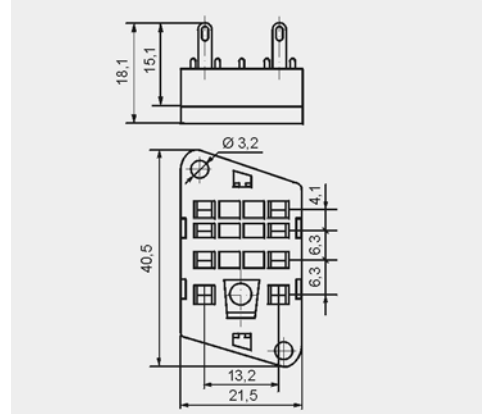


Pinout of openings on panel mounting



Accessories G4 1053

Dimensions



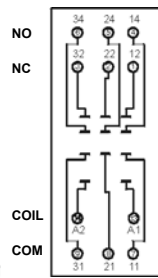
GZT3

For R3N

Screw terminals
Max. tightening moment for the terminal: 0,7 Nm
35 mm rail mount acc. to EN 60715 or on panel mounting 76,3 x 27 x 42,5(80) mm ②
Three poles
10 A, 300 V AC



Connection diagram



ZGGZ4



GZT4-0040

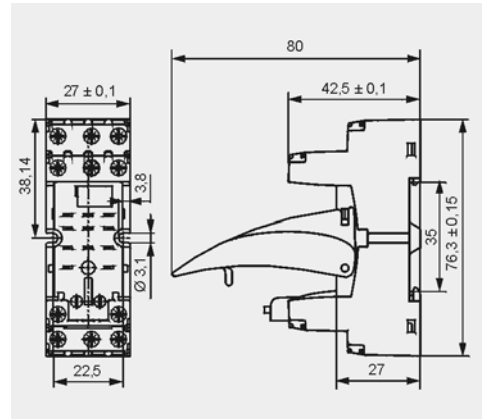
G4 1052



GZT4-0035

Module type M...

Dimensions



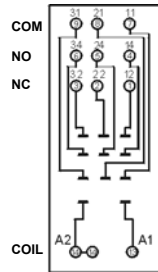
GZM3

For R3N

Screw terminals
Max. tightening moment for the terminal: 0,7 Nm
35 mm rail mount acc. to EN 60715 or on panel mounting 75 x 27 x 61(82) mm ②
Three poles
10 A, 300 V AC



Connection diagram



ZGGZ4



GZT4-0040

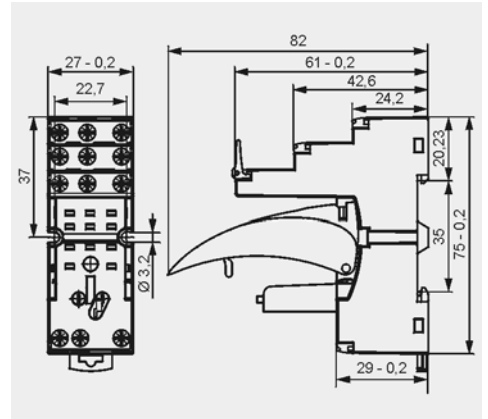
G4 1052



GZT4-0035

Module type M...

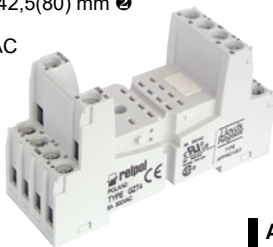
Dimensions



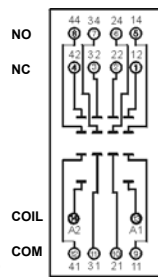
GZT4 ⑥

For R4N, T-R4

Screw terminals
Max. tightening moment for the terminal: 0,7 Nm
35 mm rail mount acc. to EN 60715 or on panel mounting 76,3 x 27 x 42,5(80) mm ②
Four poles
6 A, 300 V AC



Connection diagram



ZGGZ4



TR4-2000

GZT4-0040

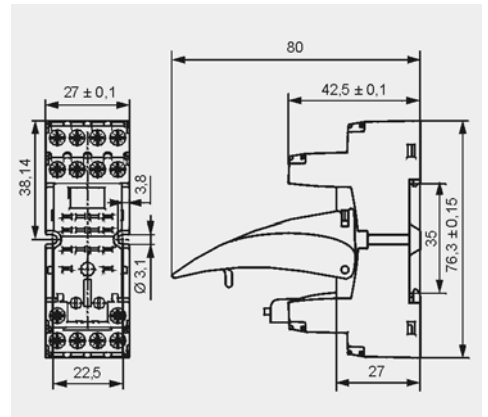
G4 1052



GZT4-0035

Module type M...

Dimensions



① Mounting and sub-assemblies of accessories in the socket - see page 375. Signalling / protecting modules type M... - see page 376. ② In the bracket the height of socket with retainer / retractor clip is shown. ③ Have obtained LR Type Approval Certificate (Lloyd's Register). ④ For R4N relays: G4 1052, GZT4-0040, GZM3-0040, GZT4-0035, TR, module type M...; for T-R4 relays: TR4-2000, GZT4-0035, TR.