

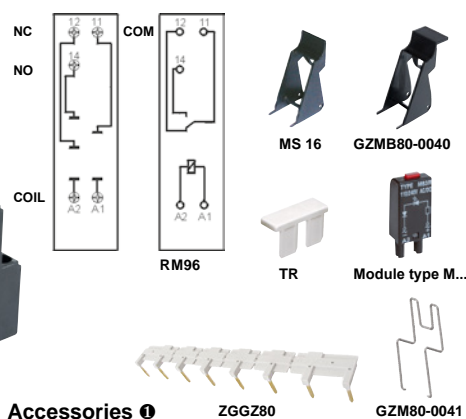
**ES 32**

For RM96 1 CO

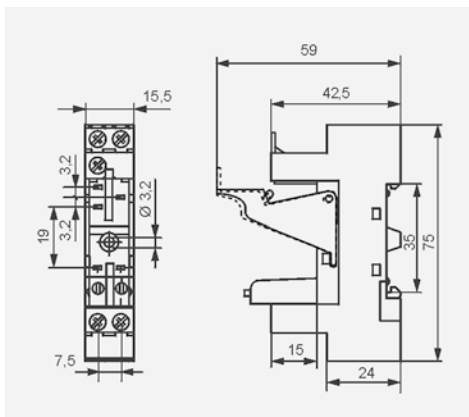
Screw terminals  
 Max. tightening moment for the terminal: 0,5 Nm  
 35 mm rail mount acc. to EN 60715 or on panel mounting  
 75 x 15,5 x 42,5(59) mm ②  
 One pole, 3,2 mm pinout  
 12 A, 300 V AC



**Connection diagrams**



**Dimensions**



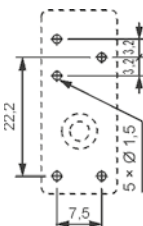
**EC 32**

For PCB

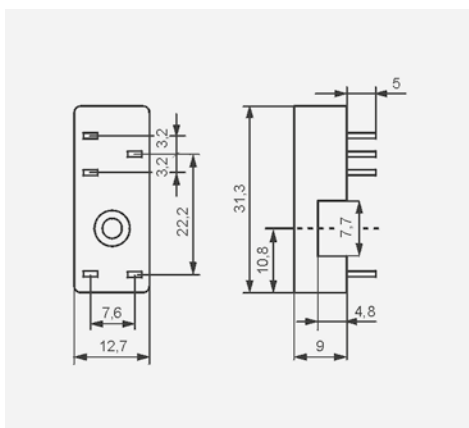
31 x 12,7 x 9 mm  
 One pole, 3,2 mm pinout  
 12 A, 300 V AC



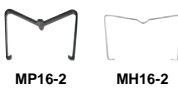
**Pinout**



**Dimensions**



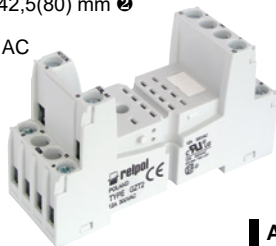
**Accessories**



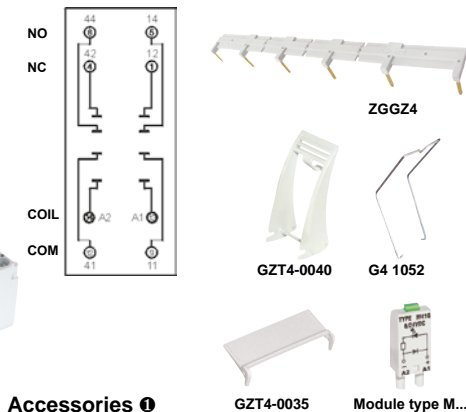
**GZT2**

For R2N

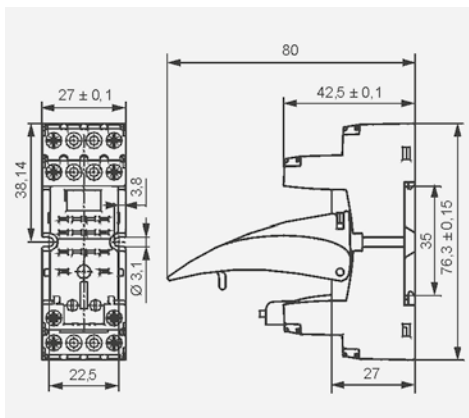
Screw terminals  
 Max. tightening moment for the terminal: 0,7 Nm  
 35 mm rail mount acc. to EN 60715 or on panel mounting  
 76,3 x 27 x 42,5(80) mm ②  
 Two poles  
 12 A, 300 V AC



**Connection diagram**



**Dimensions**



**Accessories**

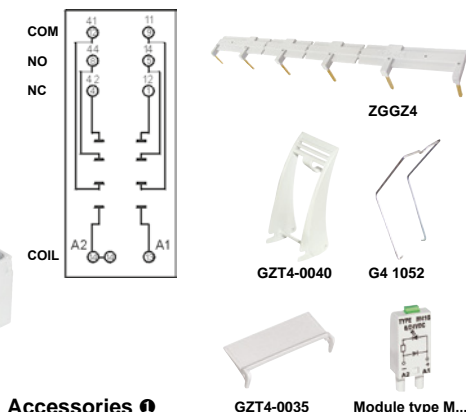
**GZM2**

For R2N

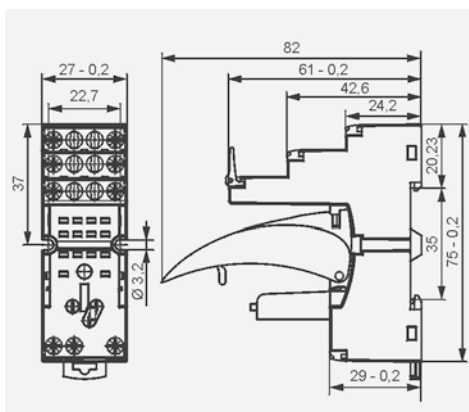
Screw terminals  
 Max. tightening moment for the terminal: 0,7 Nm  
 35 mm rail mount acc. to EN 60715 or on panel mounting  
 75 x 27 x 61(82) mm ②  
 Two poles  
 12 A, 300 V AC



**Connection diagram**



**Dimensions**



**Accessories**

① Mounting and sub-assemblies of accessories in the socket - see page 375. Signalling / protecting modules type M... - see page 376.  
 ② In the bracket the height of socket with retainer / retractor clip is shown.