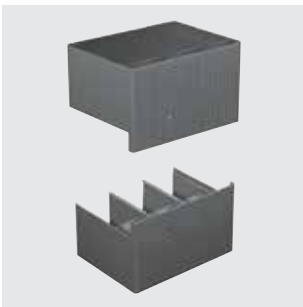


GW D8 416

HORIZONTAL FLAT REAR TERMINALS (HR)

Code	Rated current	Number of terminals	Pack Carton
Suitable for: MTX/M 160c			
GW D8 416	160 A	3	1
GW D8 417	160 A	4	1
Suitable for: MTX/M 160c+BD			
GW D8 418	160 A	4	1



GW D8 271

PAIR OF ISOLATING TERMINAL COVERS

Code	No. of poles	Type	Suitable for MCCB	Pack Carton
Suitable for: MTX/M 160c				
GW D8 271	3P	High	Fixed	1
GW D8 281	4P	High	Fixed	1
GW D8 291	3P	Low	Fixed	1
GW D8 301	4P	Low	Fixed	1
Suitable for: MTX/E 160				
GW D8 272	3P	High	Fixed	1
GW D8 282	4P	High	Fixed	1
GW D8 292	3P	Low	Fixed and plug-in	1
GW D8 302	4P	Low	Fixed and plug-in	1
Suitable for: MTX/M 250				
GW D8 273	3P	High	Fixed	1
GW D8 283	4P	High	Fixed	1
GW D8 293	3P	Low	Fixed and plug-in	1
GW D8 303	4P	Low	Fixed and plug-in	1
Suitable for: MTX/E/M 320				
GW D8 274	3P	High	Fixed	1
GW D8 284	4P	High	Fixed	1
GW D8 294	3P	Low	Fixed, plug-in, withdrawable	1
GW D8 304	4P	Low	Fixed, plug-in, withdrawable	1
Suitable for: MTXM 400-MTX/E/M 630				
GW D8 275	3P	High	Fixed	1
GW D8 285	4P	High	Fixed	1
GW D8 295	3P	Low	Fixed, plug-in, withdrawable	1
GW D8 305	4P	Low	Fixed, plug-in, withdrawable	1
Suitable for: MTXM 800-MTX/E/M 1000				
GW D8 276	3P	High	Fixed	1
GW D8 286	4P	High	Fixed	1
GW D8 296	3P	Low	Fixed and withdrawable	1
GW D8 306	4P	Low	Fixed and withdrawable	1

NOTE: Low terminal covers guarantee an IP40 degree of protection for fixed circuit breakers with rear terminals and for the moving parts of plug-in and withdrawable circuit breakers. High terminal covers guarantee an IP40 degree of protection for fixed circuit breakers with front terminals, extended front terminals, and front terminals for cables.



GW D8 309

SCREWS FOR SEALING TERMINAL COVERS

Code	Suitable for	Pack Carton
GW D8 309	MTX/E/M 160/c-630	1
GW D8 310	MTXM 800-MTX/E/M 1000	1