

MT - MINIATURE CIRCUIT BREAKERS**page 583****MTHP - HIGH PERFORMANCE MINIATURE CIRCUIT BREAKERS****page 593**

MTHP - HIGH PERFORMANCE MINIATURE CIRCUIT BREAKERS

MTHP 160 - C CURVE - 10000 A (EN 60898) - 16 KA (EN 60947-2)

BREAKING CAPACITY 1P			
230V	EN60898	EN60947-2	
	Icu	Icu	
I _n =80-125A	10000 A	16 kA	

BREAKING CAPACITY 1P		
400V	EN60947-2	
	Icu	
I _n =80-125A	4.5 kA	

BREAKING CAPACITY 2-3-4P			
230V	EN60898	EN60947-2	
	Icu	Icu	
I _n =80-125A	10000 A	20 kA	

BREAKING CAPACITY 2-3-4P			
400V	EN60898	EN60947-2	
	Icu	Icu	
I _n =80-125A	10000 A	16 kA	



GW 93 349

HIGH PERFORMANCE MINIATURE CIRCUIT BREAKERS

Code	Rated current	Rated voltage	No. of modules EN 50022	Pack Carton
No. of poles: 1P				
GW 93 307	80 A	230-400 V	1.5	1/12
GW 93 308	100 A	230-400 V	1.5	1/12
GW 93 309	125 A	230-400 V	1.5	1/12
No. of poles: 2P				
GW 93 327	80 A	230-400 V	3	1/8
GW 93 328	100 A	230-400 V	3	1/8
GW 93 329	125 A	230-400 V	3	1/8
No. of poles: 3P				
GW 93 337	80 A	230-400 V	4.5	1/4
GW 93 338	100 A	230-400 V	4.5	1/4
GW 93 339	125 A	230-400 V	4.5	1/4
No. of poles: 4P				
GW 93 347	80 A	230-400 V	6	1/4
GW 93 348	100 A	230-400 V	6	1/4
GW 93 349	125 A	230-400 V	6	1/4

ACCESSORIES SUPPLIED: kit for cable terminals wiring and poles separators.

MTHP 160 - D CURVE - 10000 A (EN 60898) - 16 KA (EN 60947-2)

BREAKING CAPACITY 1P			
230V	EN60898	EN60947-2	
	Icu	Icu	
I _n =50-100A	10000 A	16 kA	

BREAKING CAPACITY 1P		
400V	EN60947-2	
	Icu	
I _n =50-100A	4.5 kA	

SCHALTVERMÖGEN 2-3-4P			
230V	EN60898	EN60947-2	
	Icu	Icu	
I _n =50-100A	10000 A	20 kA	

BREAKING CAPACITY 2-3-4P			
400V	EN60898	EN60947-2	
	Icu	Icu	
I _n =50-100A	10000 A	16 kA	



GW 93 388

HIGH PERFORMANCE MINIATURE CIRCUIT BREAKERS

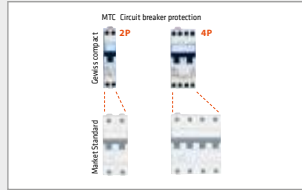
Code	Rated current	Rated voltage	No. of modules EN 50022	Pack Carton
No. of poles: 1P				
GW 93 355	Ⓢ 50 A	230-400 V	1.5	1/12
GW 93 356	63 A	230-400 V	1.5	1/12
GW 93 357	80 A	230-400 V	1.5	1/12
GW 93 358	100 A	230-400 V	1.5	1/12
No. of poles: 2P				
GW 93 375	Ⓢ 50 A	230-400 V	3	1/8
GW 93 376	63 A	230-400 V	3	1/8
GW 93 377	80 A	230-400 V	3	1/8
GW 93 378	100 A	230-400 V	3	1/8
No. of poles: 3P				
GW 93 385	Ⓢ 50 A	230-400 V	4.5	1/4
GW 93 386	63 A	230-400 V	4.5	1/4
GW 93 387	80 A	230-400 V	4.5	1/4
GW 93 388	100 A	230-400 V	4.5	1/4
No. of poles: 4P				
GW 93 395	Ⓢ 50 A	230-400 V	6	1/4
GW 93 396	63 A	230-400 V	6	1/4
GW 93 397	80 A	230-400 V	6	1/4
GW 93 398	100 A	230-400 V	6	1/4

ACCESSORIES SUPPLIED: kit for cable terminals wiring and poles separators.

90 MCB



SPACE SAVING



By using the compact MTC circuit breakers, it is possible to protect 2 pole in one module length; this operation guarantees a space saving (up to 50%) which allows the installation of smaller boards and therefore the cost is cheaper. Therefore, it is possible to install smaller sized boards, which also provides a cost savings.

MAXIMUM SAFETY



In addition to the characteristic of the double DIN clip, which allows a more steady mounting and facilitates maintenance operations, the terminals are supplied with protective and sliding insulation insert for the maximum safety of tightening and against any possible contacts with live parts.

ACCESSORIES TO SIMPLIFY USE

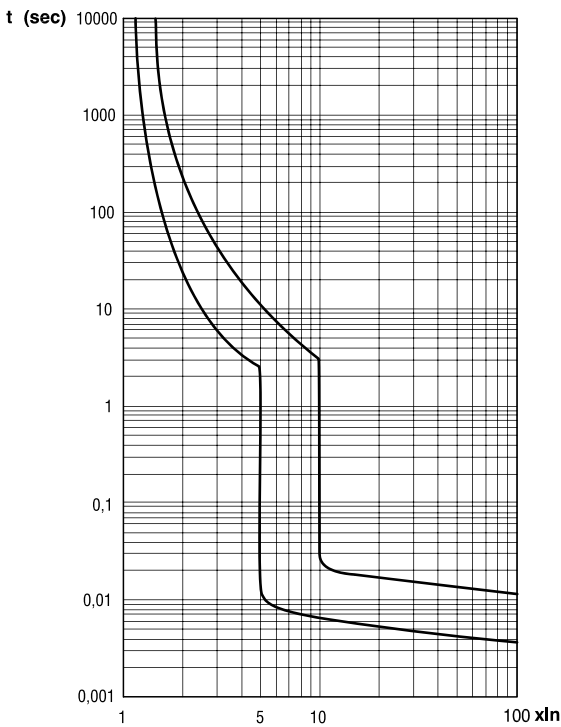


Modular circuit breakers of 90 MCB Range can be perfectly integrated with electrical auxiliary of 90 Range, ensuring a more simple use and managing of accessories.

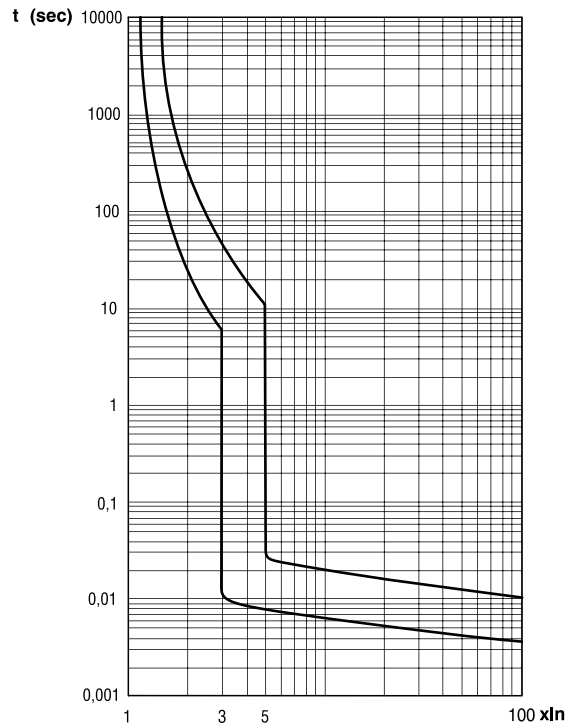
TRIPPING CHARACTERISTICS

Tripping characteristics in alternating current (EN 60898)

MTC 45 - 60 - 100 Characteristic C
 MT 45 - MT 60 - 100 - 250 Characteristic C
 MTHP 160 - 250 Characteristic C

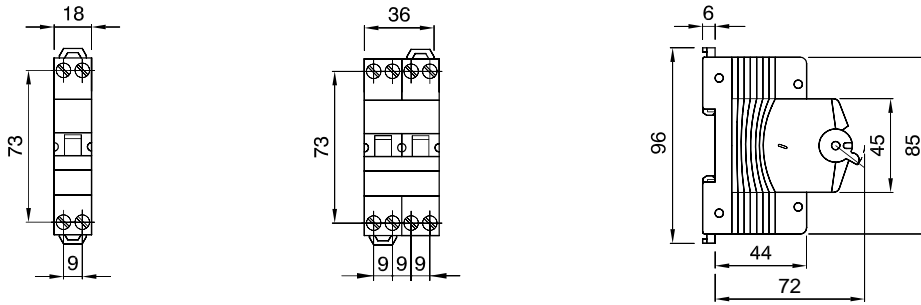


MT 45 - MT 60 - 100 Characteristic B
 MTC 60 Characteristic B

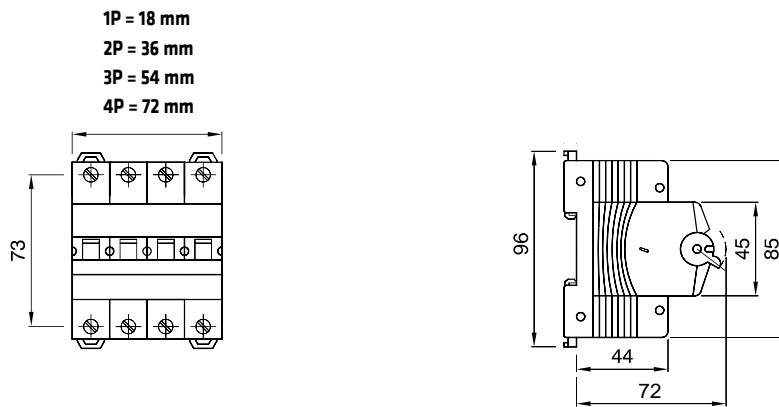


DIMENSION TABLES

MTC 45 - MTC 60 - MTC 100



MT 45 - MT 60 - MT 100 - MT 250



MTHP 160 - MTHP 250

