

# Modular circuit breakers for circuit protection

## 90 MCB

MTC - COMPACT MINIATURE CIRCUIT BREAKERS



# 90 MCB

## Modular circuit breakers for circuit protection

The 90 MCB range meets any requirement for protection against overcurrent and short-circuit, for all domestic, commercial and industrial applications.

The range comprises MTC, compact miniature circuit breakers (from 2 to 32 A, curves B and C up to 10 kA) MT traditional miniature circuit breakers (from 1 to 63 A, curves B, C and D up to 25 kA) MTHP High-Power Miniature circuit breakers (from 20 to 125 A, curves C and D up to 25 kA).



**Technical characteristics page 595**

## MTC - COMPACT MINIATURE CIRCUIT BREAKERS

MTC 45 - C CURVE - 4500 A (EN 60898) - 4.5 KA (EN 60947-2)

BREAKING CAPACITY 1P			
230V	EN60898	EN60947-2	
$I_n$	$I_{cs}$	$I_{cu}$	
6-32 A	4500 A	4.5 kA	

BREAKING CAPACITY 1P+N-2-3-4P			
230V	EN60898	EN60947-2	
$I_n$	$I_{cs}$	$I_{cu}$	
2-32 A	4500 A	6 kA	

BREAKING CAPACITY 3-4P			
400V	EN60898	EN60947-2	
$I_n$	$I_{cs}$	$I_{cu}$	
6-32 A	4500 A	4.5 kA	



GW 90 046

### COMPACT MINIATURE CIRCUIT BREAKERS

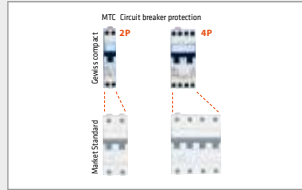
Code	Rated current	Rated voltage	No. of modules EN 50022	Pack Carton
<b>No. of poles: 1P</b>				
GW 90 005	6 A	230-400 V	1	6/24
GW 90 006	10 A	230-400 V	1	6/24
GW 90 011	13 A	230-400 V	1	6/24
GW 90 007	16 A	230-400 V	1	6/24
GW 90 008	20 A	230-400 V	1	6/24
GW 90 009	25 A	230-400 V	1	6/24
GW 90 010	32 A	230-400 V	1	6/24
<b>No. of poles: 1P+N</b>				
GW 90 022	2 A	230 V	1	6/24
GW 90 025	6 A	230 V	1	6/24
GW 90 026	10 A	230 V	1	6/24
GW 90 031	13 A	230 V	1	6/24
GW 90 027	16 A	230 V	1	6/24
GW 90 028	20 A	230 V	1	6/24
GW 90 029	25 A	230 V	1	6/24
GW 90 030	32 A	230 V	1	6/24
<b>No. of poles: 1P+N (N-conductor left)</b>				
GW 90 602	2 A	230 V	1	6/24
GW 90 605	6 A	230 V	1	6/24
GW 90 606	10 A	230 V	1	6/24
GW 90 607	16 A	230 V	1	6/24
GW 90 608	20 A	230 V	1	6/24
GW 90 609	25 A	230 V	1	6/24
GW 90 610	32 A	230 V	1	6/24
<b>No. of poles: 2P</b>				
GW 90 045	6 A	230 V	1	6/24
GW 90 046	10 A	230 V	1	6/24
GW 90 051	13 A	230 V	1	6/24
GW 90 047	16 A	230 V	1	6/24
GW 90 048	20 A	230 V	1	6/24
GW 90 049	25 A	230 V	1	6/24
GW 90 050	32 A	230 V	1	6/24
<b>No. of poles: 3P</b>				
GW 90 065	6 A	230-400 V	2	3/12
GW 90 066	10 A	230-400 V	2	3/12
GW 90 071	13 A	230-400 V	2	3/12
GW 90 067	16 A	230-400 V	2	3/12
GW 90 068	20 A	230-400 V	2	3/12
GW 90 069	25 A	230-400 V	2	3/12
GW 90 070	32 A	230-400 V	2	3/12

to be continued on next page

# 90 MCB



## SPACE SAVING



By using the compact MTC circuit breakers, it is possible to protect 2 pole in one module length; this operation guarantees a space saving (up to 50%) which allows the installation of smaller boards and therefore the cost is cheaper. Therefore, it is possible to install smaller sized boards, which also provides a cost savings.

## MAXIMUM SAFETY



In addition to the characteristic of the double DIN clip, which allows a more steady mounting and facilitates maintenance operations, the terminals are supplied with protective and sliding insulation insert for the maximum safety of tightening and against any possible contacts with live parts.

## ACCESSORIES TO SIMPLIFY USE

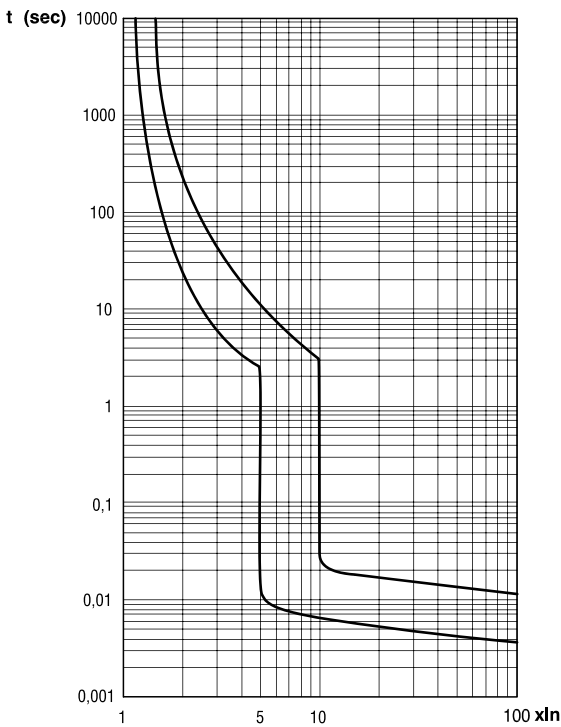


Modular circuit breakers of 90 MCB Range can be perfectly integrated with electrical auxiliary of 90 Range, ensuring a more simple use and managing of accessories.

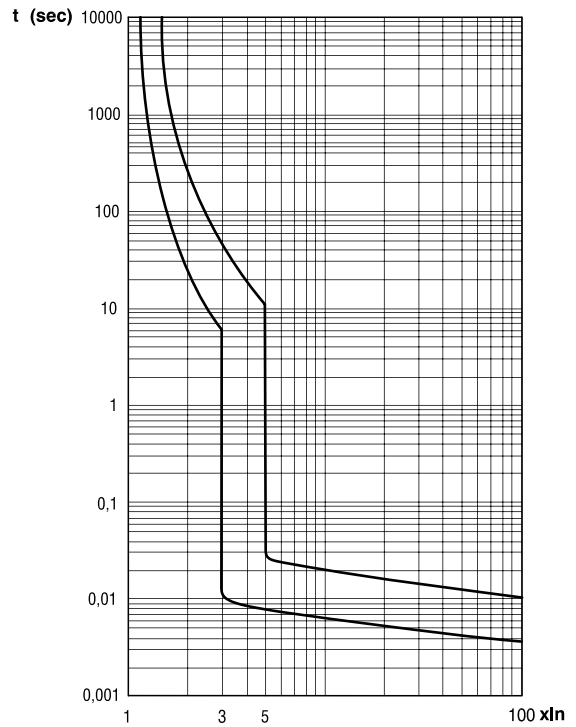
## TRIPPING CHARACTERISTICS

### Tripping characteristics in alternating current (EN 60898)

MTC 45 - 60 - 100 Characteristic C  
 MT 45 - MT 60 - 100 - 250 Characteristic C  
 MTHP 160 - 250 Characteristic C

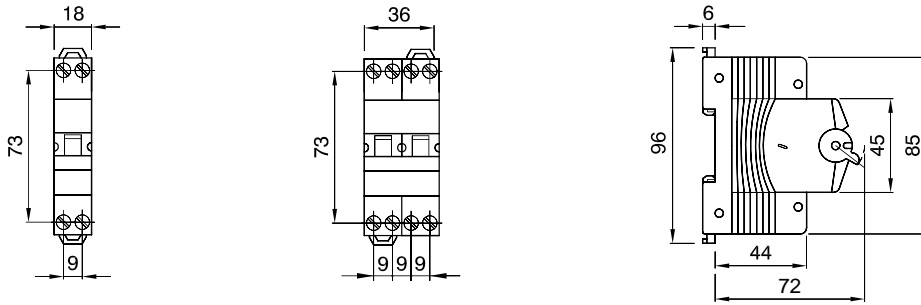


MT 45 - MT 60 - 100 Characteristic B  
 MTC 60 Characteristic B

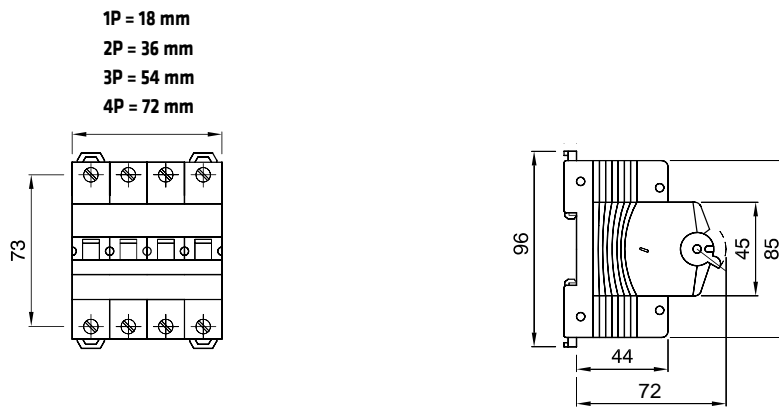


**DIMENSION TABLES**

**MTC 45 - MTC 60 - MTC 100**



**MT 45 - MT 60 - MT 100 - MT 250**



**MTHP 160 - MTHP 250**

