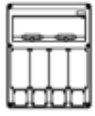
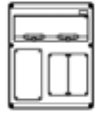


# 68 Q-DIN

## Q-DIN 20 - SURFACE-MOUNTING - IP65



**GW 68 015N**



**GW 68 022N**



GW 68 015 N

### Q-DIN 20 WATERTIGHT BOARDS - UNWIRED - RAL 7035 - IP65

Code	Houseable socket	No. of provided blank lids	Dispersible power A (W)	Dispersible power B (W)	Pack Carton
<b>No. of modules EN 50022: 20</b>					
<b>GW 68 015 N</b>	4 IB 16/32A IP67 + 4 IEC MAX 3P+E 16A	2 IB 16/32A + 4 IEC 16A	30	92	2
<b>GW 68 022 N</b>	1 IB Vert. 63A IP67 + 2 IB Vert. 16/32A IP67	1 IB 16/32A	30	92	2

**ACCESSORIES SUPPLIED:** cable clamp and 6 screw caps.

**NOTES:** Dispersible power (B) is calculated according to IEC 60890 standard. It refers to the 40K overtemperature, between the temperature inside and outside the board.

GW68015N: the 4 flanges - measuring 85x75 - can be equipped with the COMBI-IN GW27401 and GW27403 watertight covers. The IP65 degree of protection is obtained with blank flange lid installed correctly on all the seats of the unwired board.

External dimensions (LxHxD): 450x560x120.

Halogen-Free in accordance with Standard EN 60754-2.

## ADDITIONAL Q-DIN MODULES - IP65



**GW 68 023N**



**GW 68 024N**



GW 68 023 N

### ADDITIONAL Q-DIN MODULES - RAL 7035 - IP65

Code	No. of modules EN 50022	Dispersible power (W)	Pack Carton
<b>GW 68 023 N</b>	14	40	1/3
<b>GW 68 024 N</b>	20	52	1/3

**NOTES:** to be used with Q-DIN 14 and 20 M to double the DIN modules available, the dispersible power is calculated according to the document IEC 60890 (CEI 17-43) and refers to an overtemperature of 40K between the air temperature inside the board and in the room.

External dimensions GW68023N (LxHxD): 320x241x120.

External dimensions GW68024N (LxHxD): 450x241x120.

Halogen-Free in accordance with Standard EN 60754-2.

# 68 Q-DIN



## WIDE AND CONFIGURABLE RANGE



The power distribution board range is made up of 26 empty casings with IP65 degree of protection, for flush-mounted and interlocked socket-outlets up to 63A, and with numerous complementary items that increase the fields of application.

## INNOVATIVE TECHNICAL SOLUTIONS



The boards have many innovative technical features, such as the ergonomic handle, which simplifies the opening of the door, and the screws to "hinge" the front facilitating wiring. Additional enclosures 14 and 20M modules are also available, ideal for increasing the modular space.

## COUNTLESS ACCESSORY COMBINATIONS



The boards can be equipped with a key lock with a metal cylinder and mushroom emergency button. They can be fixed to a pole, surface-mounted, flush-mounted or on accident prevention mobile supports.

Energy and data distribution boards for protected, watertight, domestic and industrial socket-outlets. Can be used in the commercial and industrial sectors, and in construction sites.

## Technical data and compliance with Standards

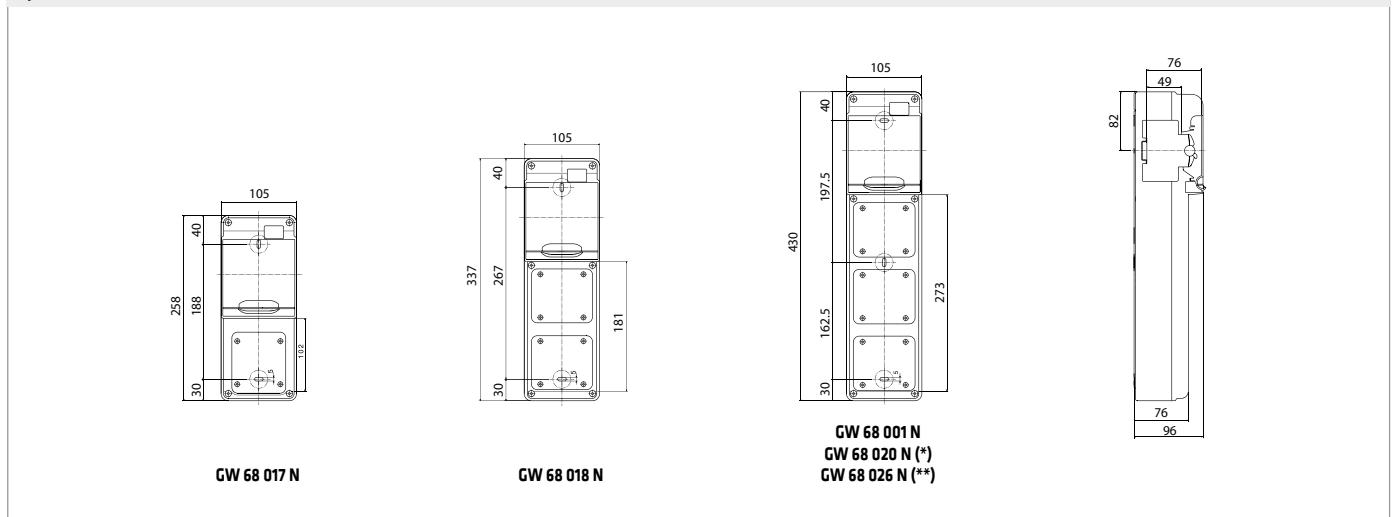
Board type	Reference Standards	Degree of protection (IP)	Protection against indirect contacts	Impact resistance at ambient temperature (IK code)	Heat resistance	Resistance to abnormal heat and fire
					Thermo-pressure with ball (°C)	Glow Wire Test (°C)
Q-DIN 5-10-14-20 empty	EN 60670-1 EN 60670-24 EN 62208	IP 65	☐	IK 08 (empty version IK09)	70	650
Q-DIN 5-10-14-20 factory-wired (DBO)	EN 61439-3	IP 44 / IP 65		IK 09 (external case) IK 08 (domestic sockets)		850 (active parts) 650 (passive parts)

### BEHAVIOUR WITH CHEMICAL AND ATMOSPHERIC AGENTS

Saline solution	Acids		Bases		Solvents				Mineral oil	UV rays
	Concentrated	Diluted	Concentrated	Diluted	Hexane	Benzol	Acetone	Alcohol		
Resistant	Limited resistance	Resistant	Resistant	Resistant	Limited resistance	Not resistant	Not resistant	Limited resistance	Limited resistance	Limited resistance

## Dimension tables

### Q - DIN 5 BOARDS

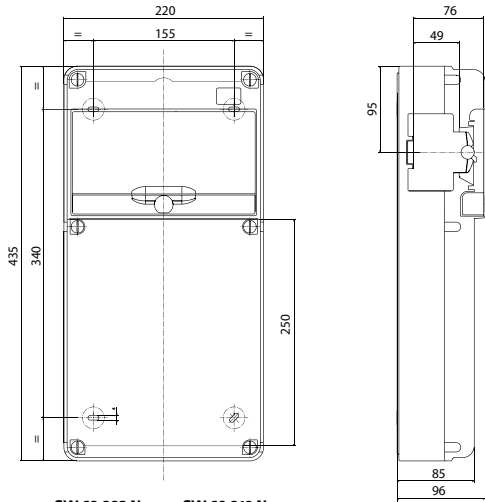


(\*) GW68020N can house 2 IEC 16/32A.

(\*\*) GW68026N can house 4 50x50 mm socket outlet.

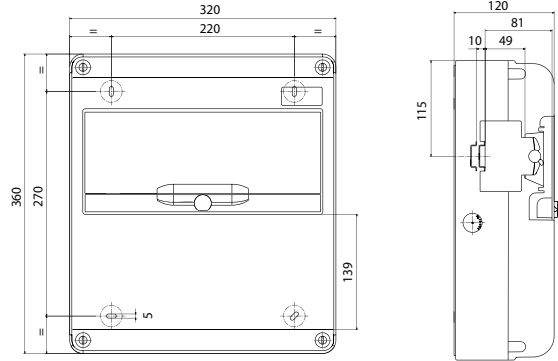
# 68 Q-DIN

## Q - DIN 10 BOARDS



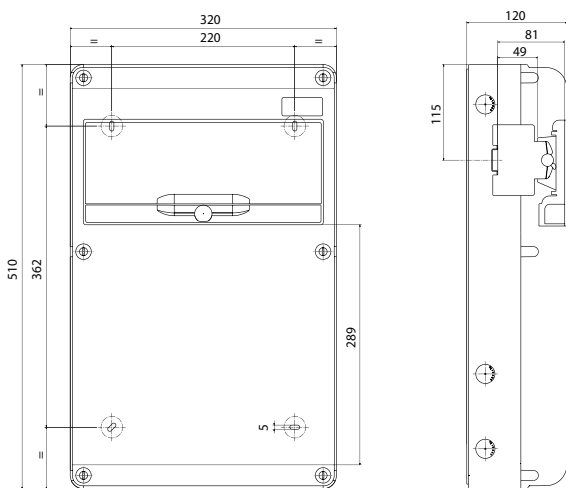
GW 68 002 N    GW 68 019 N  
 GW 68 003 N    GW 68 025 N  
                     GW 68 027 N

## Q - DIN 14 BOARDS



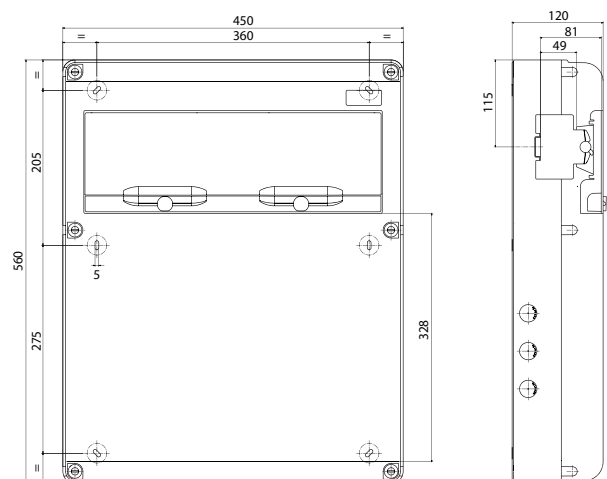
GW 68 004 N  
 GW 68 005 N  
 GW 68 006 N

## Q - DIN 14 BOARDS



GW 68 007 N    GW 68 009 N  
 GW 68 008 N    GW 68 010 N

## Q - DIN 20 BOARDS



GW 68 012 N    GW 68 014 N    GW 68 021 N  
 GW 68 013 N    GW 68 015 N    GW 68 022 N