

Q-DIN 14 - SURFACE-MOUNTING - IP65



GW 68 004N



GW 68 005N



GW 68 006N



GW 68 005 N

Q-DIN 14 WATERTIGHT BOARDS - UNWIRED - RAL 7035 - IP65

Code	Houseable socket	No. of provided blank lids	Dispersible power A (W)	Dispersible power B (W)	Pack Carton
No. of modules EN 50022: 14					
GW 68 004 N	Blank lid	-	24	64	4
GW 68 005 N	3 IEC 309 16/32A IP44/67	1 IEC 16/32A	24	64	4
GW 68 006 N	2 IB Horiz. 16/32A SBF IP44 side by side	1 IB 16/32A	24	64	4

ACCESSORIES SUPPLIED: cable clamp and 4 screw caps. Adapter flange for every IEC 309 socket-outlet housing seat - 16/32 A.

NOTES: Dispersible power (B) is calculated according to IEC 60890 standard. It refers to the 40K overtemperature, between the temperature inside and outside the board. The IP65 degree of protection is obtained with blank flange lid installed correctly on all the seats of the unwired board.

External dimensions (LxHxD): 320x360x120.

Halogen-Free in accordance with Standard EN 60754-2.

Q-DIN 14 - SURFACE-MOUNTING - IP65



GW 68 007N



GW 68 008N



GW 68 009N



GW 68 010N



GW 68 008 N

Q-DIN 14 WATERTIGHT BOARDS - UNWIRED - RAL 7035 - IP65

Code	Houseable socket	No. of provided blank lids	Dispersible power A (W)	Dispersible power B (W)	Pack Carton
No. of modules EN 50022: 14					
GW 68 007 N	Blank lid	-	24	64	3
GW 68 008 N	6 IEC 309 16/32A IP44/67	2 IEC 16/32A	24	64	3
GW 68 009 N	4 IB Horiz. 16/32A SBF IP44	2 IB 16/32A	24	64	3
GW 68 010 N	3 IB Vert. 16/32A IP67	1 IB 16/32A	24	64	3

ACCESSORIES SUPPLIED: cable clamp and 4 screw caps. Adapter flange for every IEC 309 socket-outlet housing seat - 16/32 A.

NOTES: Dispersible power (B) is calculated according to IEC 60890 standard. It refers to the 40K overtemperature, between the temperature inside and outside the board. The IP65 degree of protection is obtained with blank flange lid installed correctly on all the seats of the unwired board.

External dimensions (LxHxD): 320x510x120.

Halogen-Free in accordance with Standard EN 60754-2.

Q-DIN 20 - SURFACE-MOUNTING - IP65



GW 68 012N



GW 68 013N



GW 68 014N



GW 68 021N



GW 68 014 N

Q-DIN 20 WATERTIGHT BOARDS - UNWIRED - RAL 7035 - IP65

Code	Houseable socket	No. of provided blank lids	Dispersible power A (W)	Dispersible power B (W)	Pack Carton
No. of modules EN 50022: 20					
GW 68 012 N	Blank lid	-	30	92	2
GW 68 013 N	8 IEC 309 16/32A IP44/67	2 IEC 16/32A	30	92	2
GW 68 014 N	4 IB Horiz. 16/32A CBF IP44	2 IB 16/32A	30	92	2
GW 68 021 N	2 IEC 309 63A - 4 IEC 309 16/32A	2 IEC 309 16/32A+1 63A	30	92	2

ACCESSORIES SUPPLIED: cable clamp and 6 screw caps. Adapter flange for every IEC 309 socket-outlet housing seat - 16/32 A.

NOTES: Dispersible power (B) is calculated according to IEC 60890 standard. It refers to the 40K overtemperature, between the temperature inside and outside the board. The IP65 degree of protection is obtained with blank flange lid installed correctly on all the seats of the unwired board.

External dimensions (LxHxD): 450x560x120.

Halogen-Free in accordance with Standard EN 60754-2.

68 Q-DIN



WIDE AND CONFIGURABLE RANGE



The power distribution board range is made up of 26 empty casings with IP65 degree of protection, for flush-mounted and interlocked socket-outlets up to 63A, and with numerous complementary items that increase the fields of application.

INNOVATIVE TECHNICAL SOLUTIONS



The boards have many innovative technical features, such as the ergonomic handle, which simplifies the opening of the door, and the screws to "hinge" the front facilitating wiring. Additional enclosures 14 and 20M modules are also available, ideal for increasing the modular space.

COUNTLESS ACCESSORY COMBINATIONS



The boards can be equipped with a key lock with a metal cylinder and mushroom emergency button. They can be fixed to a pole, surface-mounted, flush-mounted or on accident prevention mobile supports.

Energy and data distribution boards for protected, watertight, domestic and industrial socket-outlets. Can be used in the commercial and industrial sectors, and in construction sites.

Technical data and compliance with Standards

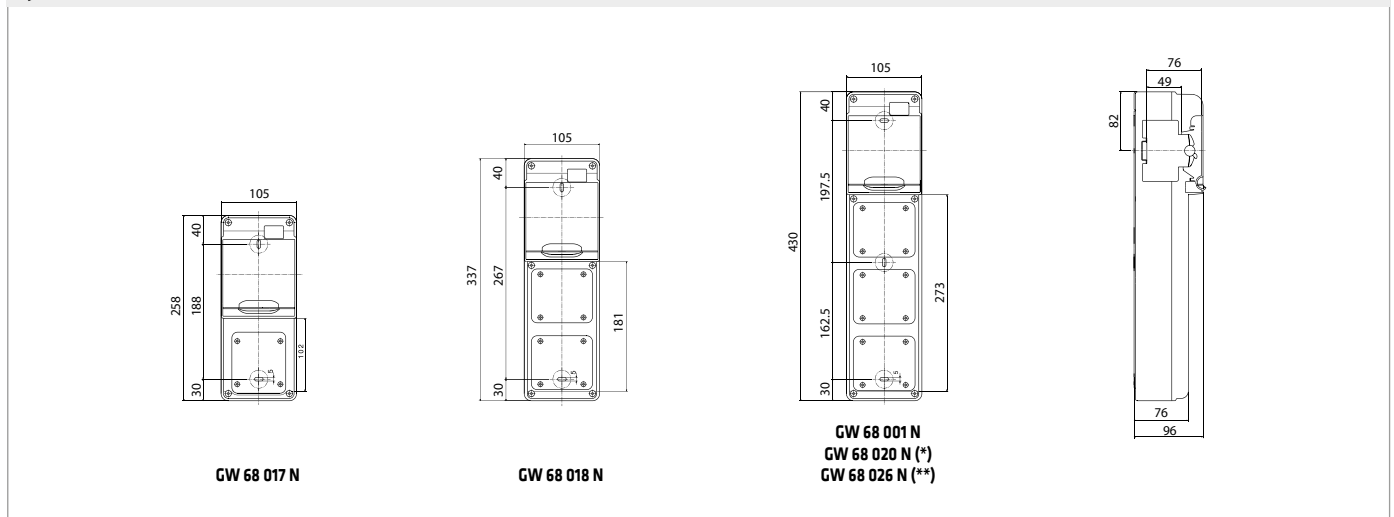
Board type	Reference Standards	Degree of protection (IP)	Protection against indirect contacts	Impact resistance at ambient temperature (IK code)	Heat resistance	Resistance to abnormal heat and fire
					Thermo-pressure with ball (°C)	Glow Wire Test (°C)
Q-DIN 5-10-14-20 empty	EN 60670-1 EN 60670-24 EN 62208	IP 65	☐	IK 08 (empty version IK09)	70	650
Q-DIN 5-10-14-20 factory-wired (DBO)	EN 61439-3	IP 44 / IP 65		IK 09 (external case) IK 08 (domestic sockets)		850 (active parts) 650 (passive parts)

BEHAVIOUR WITH CHEMICAL AND ATMOSPHERIC AGENTS

Saline solution	Acids		Bases		Solvents				Mineral oil	UV rays
	Concentrated	Diluted	Concentrated	Diluted	Hexane	Benzol	Acetone	Alcohol		
Resistant	Limited resistance	Resistant	Resistant	Resistant	Limited resistance	Not resistant	Not resistant	Limited resistance	Limited resistance	Limited resistance

Dimension tables

Q - DIN 5 BOARDS

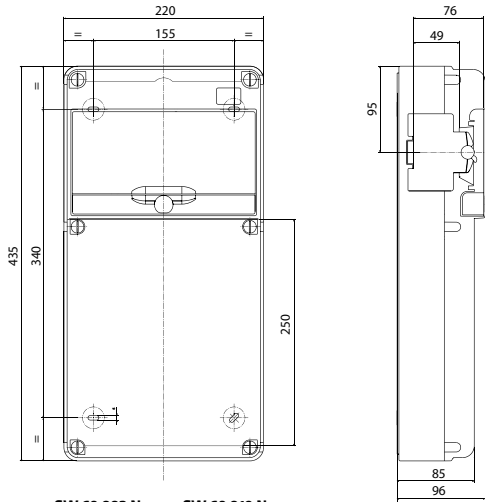


(*) GW68020N can house 2 IEC 16/32A.

(**) GW68026N can house 4 50x50 mm socket outlet.

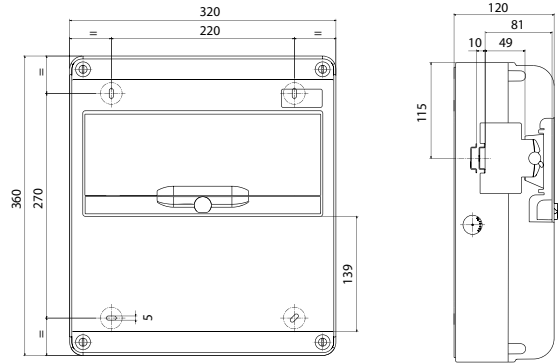
68 Q-DIN

Q - DIN 10 BOARDS



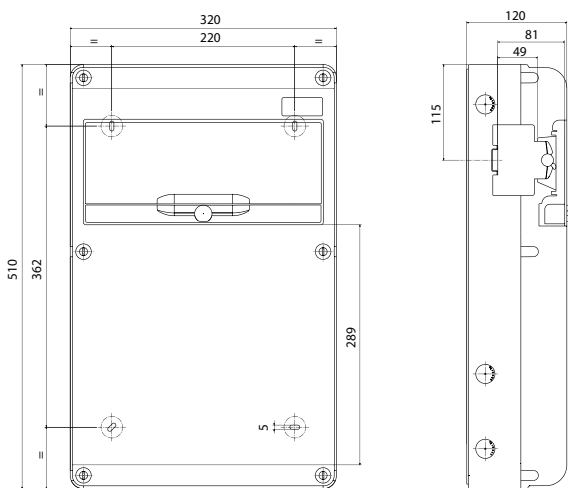
GW 68 002 N GW 68 019 N
 GW 68 003 N GW 68 025 N
 GW 68 027 N

Q - DIN 14 BOARDS



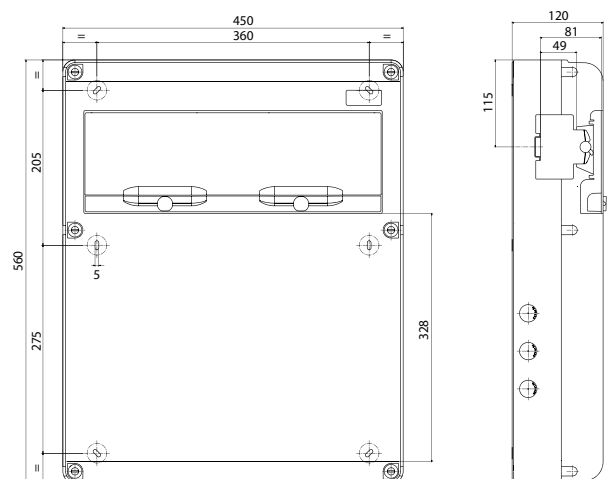
GW 68 004 N
 GW 68 005 N
 GW 68 006 N

Q - DIN 14 BOARDS



GW 68 007 N GW 68 009 N
 GW 68 008 N GW 68 010 N

Q - DIN 20 BOARDS



GW 68 012 N GW 68 014 N GW 68 021 N
 GW 68 013 N GW 68 015 N GW 68 022 N