

68 Q-DIN

Distribution boards

A complete system of IP65 boards for distributing energy in tertiary, commercial sector and building applications, available both empty and pre-wired, in accordance with the international standard IEC 61439. The Q-DIN range comprises boards from 5 to 20 DIN modules, plus supplementary modules of 14 or 20 M to add even more DIN spaces. They can accommodate flush-mounting socket-outlets and interlocked socket-outlets of up to 63 A, and they can be combined with numerous accessories.

Technical characteristics page 963



EMPTY BOARDS FOR MOBILE AND FIXED INSTALLATIONS

Q-DIN 5 - SURFACE-MOUNTING - IP65



GW 68 017N



GW 68 018N



**GW 68 001N
GW 68 031N**



GW 68 020N



**GW68026N
GW68032N**



GW 68 001 N

Q-DIN 5 WATERTIGHT BOARDS - UNWIRED - RAL 7035 - IP65

Code	Houseable socket	No. of provided blank lids	Dispersible power A (W)	Dispersible power B (W)	Pack Carton
No. of modules EN 50022: 5					
GW 68 017 N	1 IEC 309 16A IP44/67	-	10	37	16
GW 68 018 N	2 IEC 309 16A IP44/67	-	10	37	12
GW 68 001 N	3 IEC 309 16A IP44/67	1 IEC 16A	10	37	8
GW 68 031 N	3 IEC 309 16A IP44/67	1 IEC 16A	10	37	4
GW 68 020 N	2 IEC 309 16/32A IP44/67	1 IEC 16/32A	10	37	8
GW 68 026 N	4 domestic socket std.50x50 mm	1 domestic socket std.50x50 mm	10	37	8
GW 68 032 N	4 domestic socket std.50x50 mm	1 domestic socket std.50x50 mm	10	37	4

ACCESSORIES SUPPLIED: cable clamp and 2 screw caps. GW68031N complete with rubber shockproof case. Adapter flange for every IEC 309 socket-outlet housing seat - 16/32 A.

NOTES: key not installable. Dispersible power (B) is calculated according to IEC 60890 standard. It refers to the 40 K overtemperature, between the temperature inside and outside the board. The IP65 degree of protection is obtained with blank flange lid installed correctly on all the seats of the unwired board.

External dimensions GW68017N (LxHxD): 105x258x96 mm.

External dimensions GW68018N (LxHxD): 105x337x96 mm.

External dimensions GW68001N and GW68020N (LxHxD): 105x430x96 mm.

External dimensions GW68031N (LxHxD): 140x560x105 mm.

Halogen-Free in accordance with Standard EN 60754-2.

Q-DIN 10 - SURFACE-MOUNTING - IP65



GW 68 002N



GW 68 025N



GW 68 003N



GW 68 019N



GW68027N



GW 68 025 N

Q-DIN 10 WATERTIGHT BOARDS - UNWIRED - RAL 7035 - IP65

Code	Houseable socket	No. of provided blank lids	Dispersible power A (W)	Dispersible power B (W)	Pack Carton
No. of modules EN 50022: 10					
GW 68 002 N	Blank lid	-	16	42	6
GW 68 025 N	2 IB Vert. 16-32A IP67	1 IB 16/32A	16	42	6
GW 68 003 N	2 IEC 16A + 2 IEC 16/32A	1 IEC 309 16A+116/32A	16	42	6
GW 68 019 N	2 IB Horiz. 16/32A SBF IP44 overlapping	1 IB 16/32A	16	42	6
GW 68 027 N	3 dom.socket 50x50 mm + 2 IEC 16/32 A	1 domestic + 1 IEC 16 A	16	42	6

ACCESSORIES SUPPLIED: cable clamp and 4 screw caps. Adapter flange for every IEC 309 socket-outlet housing seat - 16/32 A.

NOTES: Dispersible power (B) is calculated according to IEC 60890 standard. It refers to the 40K overtemperature, between the temperature inside and outside the board.

GW68003N: pre-arranged for two 16-32 A socket-outlets in the lower flanges and two 16A socket-outlets in the upper flanges. The IP65 degree of protection is obtained with blank flange lid installed correctly on all the seats of the unwired board.

External dimensions (LxHxD): 220x435x96.

Halogen-Free in accordance with Standard EN 60754-2.

68 Q-DIN



WIDE AND CONFIGURABLE RANGE



The power distribution board range is made up of 26 empty casings with IP65 degree of protection, for flush-mounted and interlocked socket-outlets up to 63A, and with numerous complementary items that increase the fields of application.

INNOVATIVE TECHNICAL SOLUTIONS



The boards have many innovative technical features, such as the ergonomic handle, which simplifies the opening of the door, and the screws to "hinge" the front facilitating wiring. Additional enclosures 14 and 20M modules are also available, ideal for increasing the modular space.

COUNTLESS ACCESSORY COMBINATIONS



The boards can be equipped with a key lock with a metal cylinder and mushroom emergency button. They can be fixed to a pole, surface-mounted, flush-mounted or on accident prevention mobile supports.

Energy and data distribution boards for protected, watertight, domestic and industrial socket-outlets. Can be used in the commercial and industrial sectors, and in construction sites.

Technical data and compliance with Standards

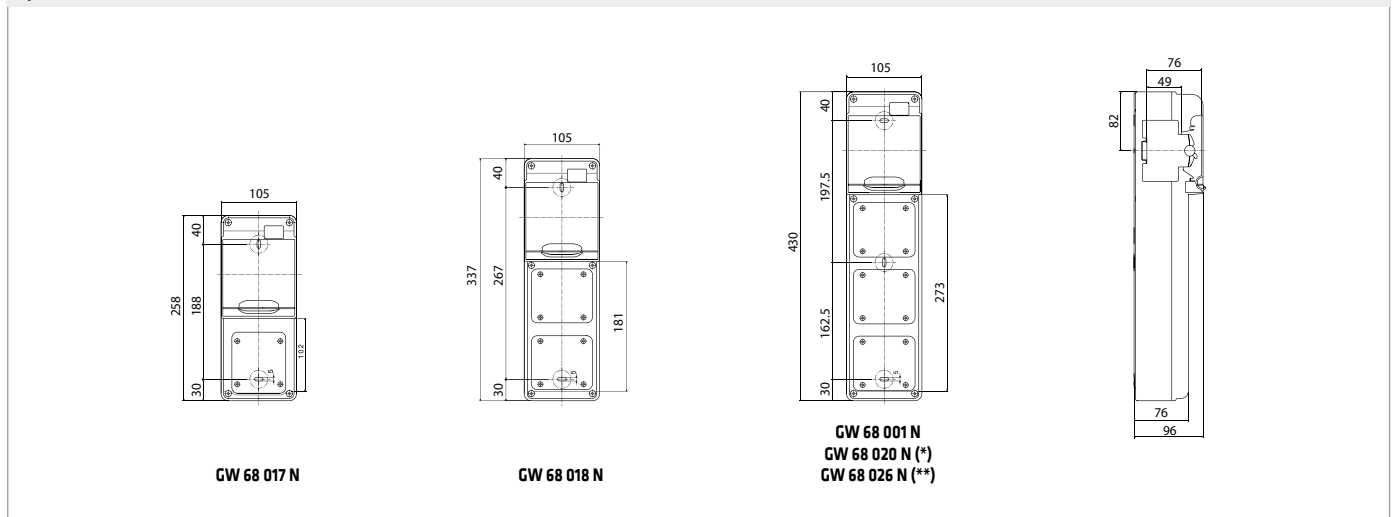
Board type	Reference Standards	Degree of protection (IP)	Protection against indirect contacts	Impact resistance at ambient temperature (IK code)	Heat resistance	Resistance to abnormal heat and fire
					Thermo-pressure with ball (°C)	Glow Wire Test (°C)
Q-DIN 5-10-14-20 empty	EN 60670-1 EN 60670-24 EN 62208	IP 65	☐	IK 08 (empty version IK09)	70	650
Q-DIN 5-10-14-20 factory-wired (DBO)	EN 61439-3	IP 44 / IP 65		IK 09 (external case) IK 08 (domestic sockets)		850 (active parts) 650 (passive parts)

BEHAVIOUR WITH CHEMICAL AND ATMOSPHERIC AGENTS

Saline solution	Acids		Bases		Solvents				Mineral oil	UV rays
	Concentrated	Diluted	Concentrated	Diluted	Hexane	Benzol	Acetone	Alcohol		
Resistant	Limited resistance	Resistant	Resistant	Resistant	Limited resistance	Not resistant	Not resistant	Limited resistance	Limited resistance	Limited resistance

Dimension tables

Q - DIN 5 BOARDS

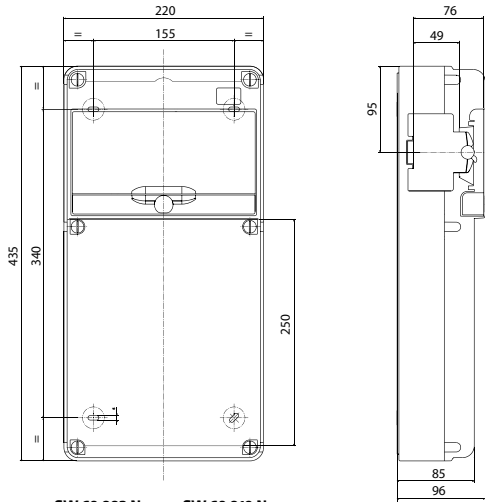


(*) GW68020N can house 2 IEC 16/32A.

(**) GW68026N can house 4 50x50 mm socket outlet.

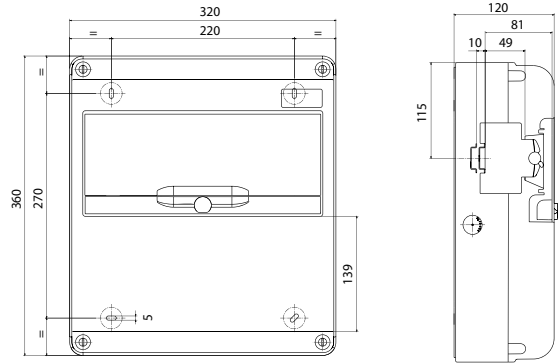
68 Q-DIN

Q - DIN 10 BOARDS



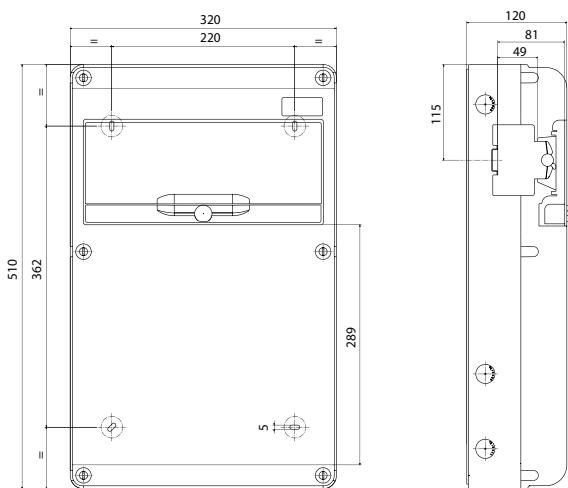
GW 68 002 N GW 68 019 N
 GW 68 003 N GW 68 025 N
 GW 68 027 N

Q - DIN 14 BOARDS



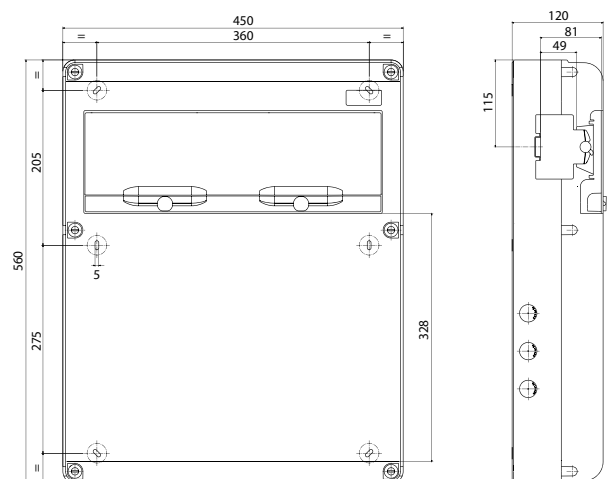
GW 68 004 N
 GW 68 005 N
 GW 68 006 N

Q - DIN 14 BOARDS



GW 68 007 N GW 68 009 N
 GW 68 008 N GW 68 010 N

Q - DIN 20 BOARDS



GW 68 012 N GW 68 014 N GW 68 021 N
 GW 68 013 N GW 68 015 N GW 68 022 N