

IEC 309 MA

Multiple sockets and adaptor for industrial and domestic uses, protected and watertight

The IEC 309 MA range is a range of multipliers, adapters and branched.

They are available in currents of 16, 32 or 63 A and have a varying number of outlets and poles in numerous different combinations.

These products should be considered supplementary to the system as they are only suitable for use in temporary installations and mobile connections and they have not been designed for permanent applications.



Technical characteristics page 895

64 - MULTIPLE SOCKET-COULPERS

2-OUTPUTS



GW 64 013

MULTIPLE SOCKET-COULPERS 2 OUTPUTS WITH 16A PLUG - 50/60HZ - IP67



Code	No. of poles	Rated voltage	Colour	Reference h	Pack Carton
Plug IEC 309: 16A					
GW 64 008	2P+E	110 V	■	4	5/20
GW 64 010	2P+E	230 V	■	6	5/20
GW 64 011	3P+E	230 V	■	9	5/10
GW 64 012	3P+N+E	230 V	■	9	5/10
GW 64 013	3P+E	400 V	■	6	5/10
GW 64 014	3P+N+E	400 V	■	6	5/10

3-OUTPUTS



GW 64 027

MULTIPLE SOCKET-COULPERS 3 OUTPUTS WITH 16-32A PLUG - 50/60HZ - IP67



Code	No. of poles	Rated voltage	Colour	Reference h	Pack Carton
Plug IEC 309: 16A					
GW 64 022	2P+E	110 V	■	4	5/10
GW 64 023	3P+E	110 V	■	4	5/10
GW 64 024	2P+E	230 V	■	6	5/10
GW 64 025	3P+E	230 V	■	9	5/10
GW 64 026	3P+N+E	230 V	■	9	5/10
GW 64 027	3P+E	400 V	■	6	5/10
GW 64 028	3P+N+E	400 V	■	6	5/10
Plug IEC 309: 32A					
GW 64 068	3P+E	400 V	■	6	1/4

3-OUTPUTS WITH CABLE AND PLUG



GW 64 052

WATERTIGHT MULTIPLE SOCKET-COULPERS 3 OUTPUTS WITH 2M FLEXIBLE CABLE AND 16A PLUG - 50/60HZ - IP67



Code	No. of poles	Rated voltage	Colour	Reference h	Pack Carton
Plug IEC 309: 16A					
GW 64 050	2P+E	110 V	■	4	1/6
GW 64 052	2P+E	230 V	■	6	1/6
GW 64 055	3P+E	400 V	■	6	1/3
GW 64 056	3P+N+E	400 V	■	6	1/3

IEC 309 MA



MOBILE MULTIPLIERS



The IEC 309 MA range has a number of different watertight mobile multiplier models available equipped with 2 or 3 outputs with or without cable. Available with screw wiring and with currents up to 32A.

MULTIPLE SOCKET-ADAPTORS



3 versions that allow to meet even the most varied connection and power take-off requirements: configuration adaptors, current adaptors and phase inverters.

ADAPTORS AND BRACHED-ADAPTORS



They can transform an industrial connection into a domestic connection and vice versa. Available with currents from 16A, pre-wired or just "prearranged" to allow the user to complete the configuration of the product depending on the specific needs.

Technical data and compliance with Standards

ELECTRICAL AND MECHANICAL CHARACTERISTIC										
Rated current In (A)	Degree of protection (IP)	Standard*	Rated voltage Un (V)	Permissible overload (A)	No. of operations carried out	Breaking capacity at 1.1 Un (A)	Impact resistance (IK)	Insulation resistance (MΩ)	Heat resistance	Resistance to abnormal heat and fire
									Thermo-pressure with ball (°C)	Glow Wire Test (°C)
16	IP44 e IP67	EN 60309-1 (CEI 23-12/1) EN 60309-2 (CEI 23-12/2)	Da 24 a 500	22	> 5000	20	IK 08	> 10	125 Passive parts 80 Active parts	850 Active parts 650 Passive parts
32				42	> 2000	40				
63				-	> 2000	79				

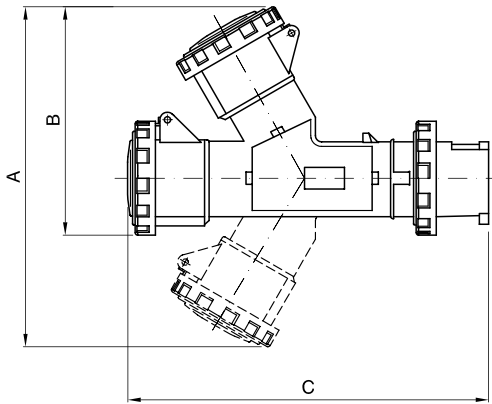
*When applicable.

BEHAVIOUR WITH CHEMICAL AND ATMOSPHERIC AGENTS										
Saline solution	Acids		Bases		Solvents				Mineral oil	UV rays
	Concentrated	Diluted	Concentrated	Diluted	Hexane	Benzol	Acetone	Alcohol		
Resistant	Not resistant	Limited resistance	Limited resistance	Resistant	Resistant	Resistant	Resistant	Resistant	Resistant	Resistant

IEC 309 MA

Dimension tables - Multiple and adaptor socket-outlets

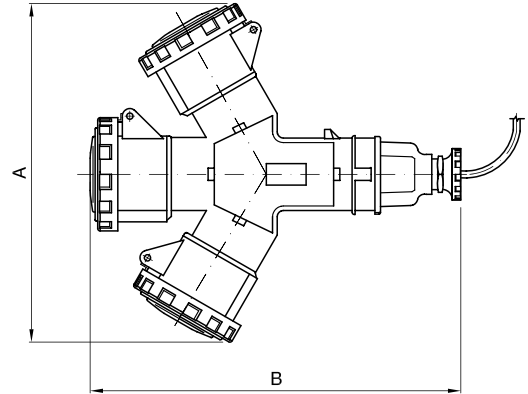
MOBILE WATERTIGHT MULTIPLIERS - IP67



CODE	A	B	C	No. OUTPUTS
GW 64 008	218	146	235	2
GW 64 010				
GW 64 009				
GW 64 011				
GW 64 012	218	156	246	3
GW 64 014				
GW 64 022	230	166	258	3
GW 64 024				
GW 64 023				
GW 64 025				
GW 64 027				

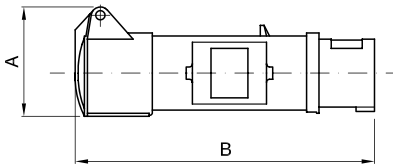
CODE	A	C	No. OUTPUTS
GW 64 026	242	258	3
GW 64 028			
GW 64 059			
GW 64 060	270	260	3
GW 64 062			
GW 64 063			
GW 64 064			
GW 64 064			
GW 64 061			
GW 64 065			
GW 64 068			

MOBILE MULTIPLIERS WITH WATERTIGHT CABLE AND PLUG - IP67



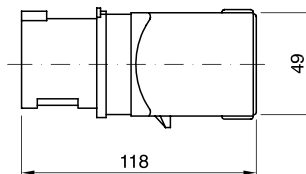
CODE	A	B
GW 64 050	218	254
GW 64 052		
GW 64 051	230	262
GW 64 053		
GW 64 055		
GW 64 054	242	277
GW 64 056		

PROTECTED MOBILE PHASE INVERTER ADAPTERS



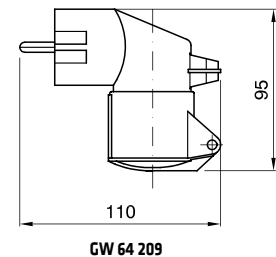
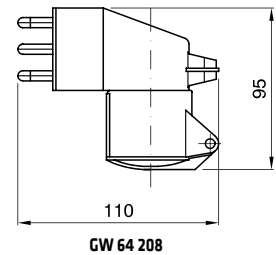
CODE	A	B
GW 64 066	76	196
GW 64 067	83	196

MOBILE SYSTEM ADAPTERS (FROM INDUSTRIAL TO DOMESTIC)

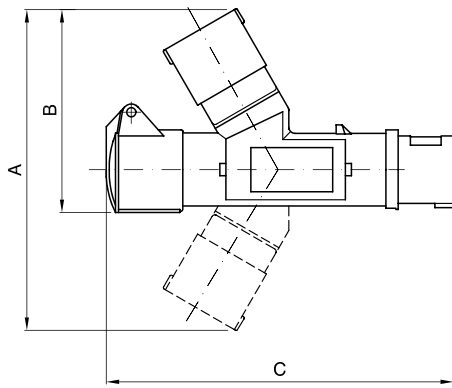


CODE	A
GW 64 203	118
GW 64 204	
GW 64 206	
GW 64 210	
GW 64 211	
GW 64 212	
GW 64 215	123
GW 64 207	
GW 64 216	
GW 64 217	

MOBILE SYSTEM ADAPTERS (FROM DOMESTIC TO INDUSTRIAL)

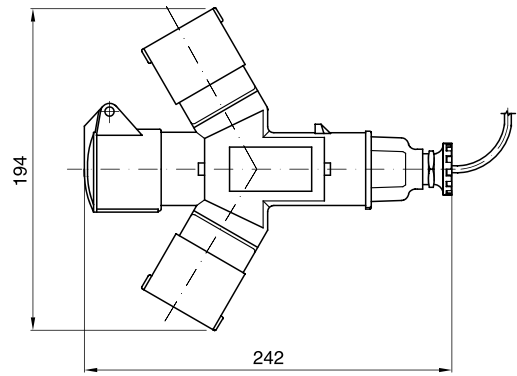


MOBILE SYSTEM ADAPTER SHUNTS WITH PLUG



CODE	A	B	C	No. OUTPUTS
GW 64 221		125	233	2
GW 64 222				
GW 64 223				
GW 64 226		134	245	
GW 64 227				
GW 64 228				
GW 64 231	194		233	3
GW 64 232				
GW 64 236	202		245	
GW 64 237				

MOBILE SYSTEM ADAPTER SHUNTS WITH CABLE AND PLUG



CODE	A	B
GW 64 263	194	242
GW 64 265		
GW 64 256	202	254