

# GW FIT

## Accessories for electrical installations

Complete system comprising cable glands, plastic and metal fixings, couplings for rigid conduits and sheaths, cable ties for external and junction and connection terminal blocks. The depth of the range and breadth of the offers of each family makes GEWISS the specialist and ideal partner when implementing any type of system, from residential to commercial and industrial sector.



**Technical characteristics page 1378**

## PLASTIC CABLE GLANDS AND ACCESSORIES

### CABLE GLANDS



**GWT  
650°C**



GW 52 001

#### NYLON CABLE GLANDS - PG PITCH - GREY RAL 7035 - IP66

Code	PG pitch	Mounting hole Ø (mm)	For cables Ø (mm)	Pack Carton
GW 52 001	7	12.5	from 3 to 6	50/900
GW 52 002	9	16	from 6 to 8	50/600
GW 52 003	11	19	from 8 to 10.5	25/500
GW 52 004	13.5	20	from 9 to 12.5	25/500
GW 52 005	16	23	from 13 to 16	25/375
GW 52 006	21	29	from 9 to 10/from 17 to 20	25/400
GW 52 007	29	37	from 13.5 to 15/from 21 to 26	25/250
GW 52 008	36	48	from 17 to 20/from 30 to 34	10/130
GW 52 009	42	54	from 36 to 39/from 40 to 43	6/120
GW 52 010	48	60	from 38 to 40/from 46 to 50	5/100

ACCESSORIES SUPPLIED: fixing nut.

APPLICATIONS: for making watertight installations with direct grip on cable.



GW 52 075

#### NYLON CABLE GLANDS - PG PITCH - GREY RAL 7035 - IP68

Code	PG pitch	Mounting hole Ø (mm)	For cables Ø (mm)	Pack Carton
GW 52 071	7	12.5	from 3.5 to 6.5	50/600
GW 52 072	9	16	from 4 to 8	50/400
GW 52 073	11	19	from 5 to 10	50/600
GW 52 074	13.5	20	from 6 to 12	25/300
GW 52 075	16	23	from 10 to 14	25/300
GW 52 076	21	29	from 13 to 18	25/200
GW 52 077	29	37	from 18 to 25	25/150
GW 52 078	36	48	from 22 to 32	10/120
GW 52 079	42	54	from 30 to 38	6/84
GW 52 080	48	60	from 34 to 44	5/60

ACCESSORIES SUPPLIED: fixing nut.



GW 52 042

#### NYLON CABLE GLANDS - METRIC PITCH - GREY RAL 7035 - IP68

Code	ISO pitch	Mounting hole Ø (mm)	For cables Ø (mm)	Pack Carton
GW 52 042	12x1.25	12	from 3 to 6.5	50/600
GW 52 043	16x1.5	16	from 5 to 10	50/400
GW 52 044	20x1.5	20	from 10 to 14	25/300
GW 52 045	25x1.5	25	from 13 to 18	25/200
GW 52 046	32x1.5	32	from 18 to 25	25/150
GW 52 047	40x1.5	40	from 22 to 32	10/120
GW 52 048	50x1.5	50	from 30 to 38	6/84
GW 52 049	63x1.5	63	from 35 to 44	5/60

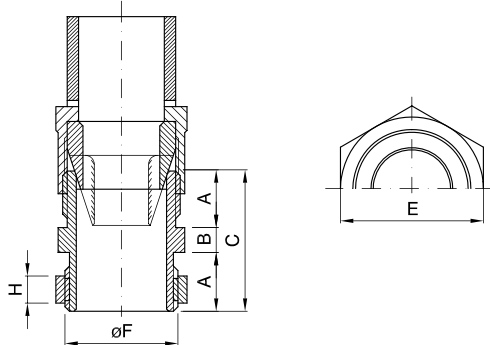
ACCESSORIES SUPPLIED: fixing nut.

APPLICATIONS: direct installation on fixing enclosures or components in feedthrough holes.

Coupling in installations where a high protection rating is required in the presence of chemical substances, shocks and vibrations.

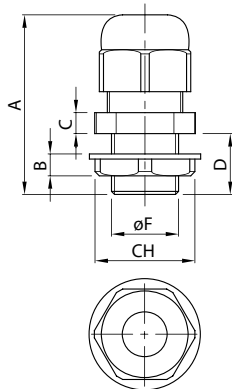
**CABLE GLANDS PG STEP PITCH WITH HOUSING FOR RIGID CONDUITS**

Cable glands with housing  
for rigid conduit



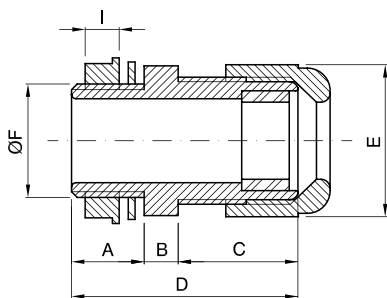
Code	PG pitch	A	B	C	E	H	øF
GW 52 024	13.5	12	4.5	28.5	24	5.5	20.4
GW 52 025	16	13	5	31	27	6	22.5
GW 52 026	21	14	6	34	32	6.5	28.3
GW 52 027	29	15	8	38	41	8	37
GW 52 028	36	18	9	45	55	9	47
GW 52 029	42	20	9	49	62	10	54

**PG PITCH CABLE GLANDS - IP68**



Code	PG pitch	A	B	C	D	CH	øF
GW 52 071	7	31	5.1	4.9	7.8	19	12.5
GW 52 072	9	33.5	5.1	5	7.9	21	15.2
GW 52 073	11	38	5.1	5	7.9	24	18.6
GW 52 074	13.5	38	6	5	9	27	20.4
GW 52 075	16	41	6	6	10	30	22.5
GW 52 076	21	46	7	6	11	36	28.3
GW 52 077	29	51	8.1	7	10.5	46	37
GW 52 078	36	66	8	7.8	14.6	59	47
GW 52 079	42	65.5	7.8	8.9	14.8	65	54
GW 52 080	48	65.5	8	8.8	15.7	70	59.3

**METRIC PITCH CABLE GLANDS - IP68**



Code	øF	A	B	C	D	E	I
GW 52 042	M12x1.25	8	5	14	27	17	5
GW 52 043	M16x1.5	15	5	18	38	22	5
GW 52 044	M20x1.5	13	6	22	41	27	6
GW 52 045	M25x1.5	14.5	6	22	42.5	33	7
GW 52 046	M32x1.5	15	7	27	49	42	8
GW 52 047	M40x1.5	18	9	33	60	54	8
GW 52 048	M50x1.5	14.5	9	34.5	58	61	8
GW 52 049	M63x1.5	25.5	7.8	44	77.3	75.7	11