

METAL COLLARS FOR CONDUITS AND CABLES

COLLARS IN GALVANIZED STEEL



GW 50 801

GALVANISED STEEL COLLARS M6 THREAD WITH 2 SCREWS

Code	For external conduits (mm)	Pack Carton
GW 50 801	10-11	100/1600
GW 50 802	12-13	100/800
GW 50 803	14-15	100/800
GW 50 804	16-17	100/800
GW 50 805	19-20	100/800
GW 50 806	21-22	100/600
GW 50 807	25-26	100/600
GW 50 808	31-32	100/600
GW 50 809	38-40	100/300
GW 50 810	48-50	50/300

CLIPS IN GALVANIZED STEEL



GW 50 811

GALVANISED STEEL CLIPS HOLE 12X6 MM

Code	For external conduits (mm)	Pack Carton
GW 50 811	10-11	100/2400
GW 50 812	12-13	100/2000
GW 50 813	14-15	100/2000
GW 50 814	16-17	100/1600
GW 50 815	19-20	100/1000
GW 50 816	21-22	50/1000
GW 50 817	25-26	50/1000
GW 50 818	31-32	50/600
GW 50 819	38-40	50/600
GW 50 820	48-50	50/300

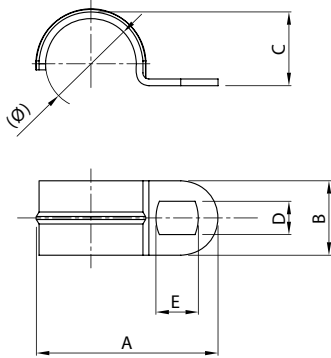


GW 50 821

GALVANISED STEEL U-BOLTS WITH TWO HOLES

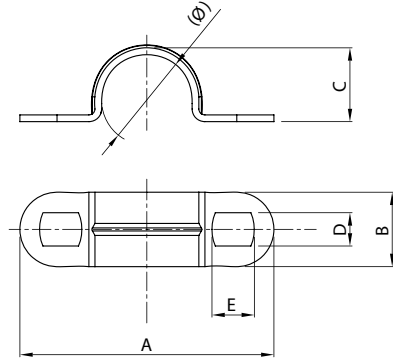
Code	For external conduits (mm)	Pack Carton
Hole dimension (mm): 7x4		
GW 50 821	10-11	100/2400
GW 50 822	12-13	100/3500
GW 50 823	14-15	100/2000
GW 50 824	16-17	100/1600
GW 50 825	19-20	100/2000
GW 50 826	21-22	50/1000
GW 50 827	25-26	50/800
Hole dimension (mm): 10x6		
GW 50 828	31-32	50/600
GW 50 829	38-40	50/600
GW 50 830	48-50	50/300

GALVANIZED STEEL CLIPS



(Ø) Conduit/Cable	Code	A	B	C	D	E
10÷11	GW 50 811	33.3	14	11	6.5	12
12÷13	GW 50 812	39		12.7		
14÷15	GW 50 813	35		14.8		
16÷17	GW 50 814	43.6		16.4		
19÷20	GW 50 815	46		21.5		
21÷22	GW 50 816	46.5	16	23.8	6.5	14
25÷26	GW 50 817	49.3		26.8		
31÷32	GW 50 818	59.4		33.5		
38÷40	GW 50 819	68.7		42.8		
48÷50	GW 50 820	76		54.6		

GALVANIZED STEEL U-BOLTS



(Ø) Conduit/Cable	Code	A	B	C	D	E
10-11	GW 50 821	42.9	10	11.8	4.8	7
12-13	GW 50 822	51.8		13.8		
14-15	GW 50 823	50.8		15.8		
16-17	GW 50 824	53.5		17.3		
19-20	GW 50 825	56.5		21.5		
21-22	GW 50 826	63.4	14	23.6	6.5	10
25-26	GW 50 827	68		27		
31-32	GW 50 828	78		33.5		
38-40	GW 50 829	83.8		41.6		
48-50	GW 50 830	95.8		53		