

## STRAPS FOR CORRUGATED CONDUITS

### FIXING STRAPS



GW 50 791

#### STRAPS FOR POSITIONING THE CONDUITS ON THE FLOOR

Code	Description	Roll length (m)	Ribbon height (mm)	Pack Carton
GW 50 791	Strap in perforated, galvanized steel	10	12	1/10
GW 50 792	Strap in fabric	10	15	10/100



GW 50 798

#### KIT FOR MANUAL RIVETING

Code	Description	Pack Carton
GW 50 798	Firing pin	1/10
GW 50 799	Steel pin - 18mm	200/4000

## DISPENSER FOR ACCESSORIES

### DISPENSER CASE FOR ELECTRICAL INSTALLATION ACCESSORIES



GW 52 420

#### MULTI-COMPARTMENT DISPENSER CASE WITH SNAP-ON SECURITY CLOSURE

Code	Accessories supplied	Dimensions LxHxD (mm)	Pack Carton
GW 52 420	Upper compartment and 4 extractable compartments	420x400x320 mm	1

## TOOLS FOR PERFORATING ENCLOSURES

### DRILL MILLING CUTTER



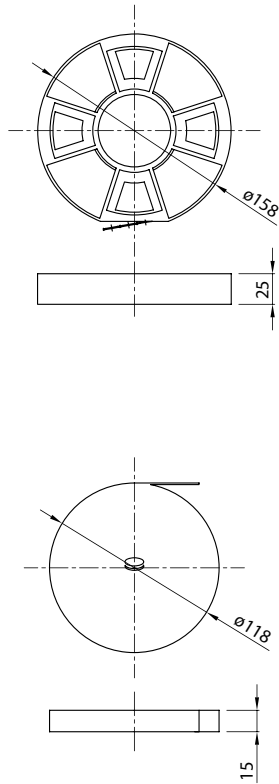
GW 52 401

#### MULTI-DIAMETER DRILL MILLING CUTTER IN HSS STEEL TO DRILL BOXES, BOARDS AND TRUNKING IN INSULATING MATERIAL

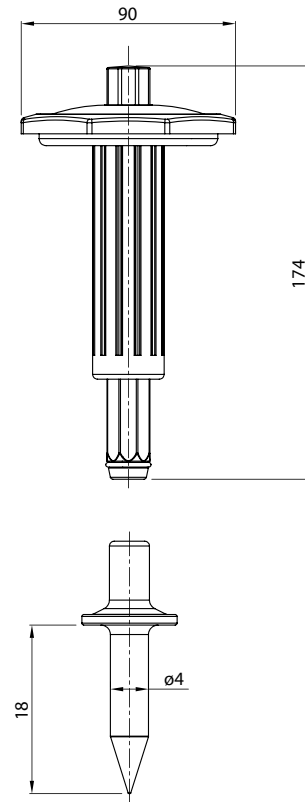
Code	Description	Ø of perforation	Pack Carton
GW 52 401	Drill milling cutter	From 3.5 to 40	1/4

## Fixing for corrugated conduits

### FIXING STRAPS FOR CONDUITS

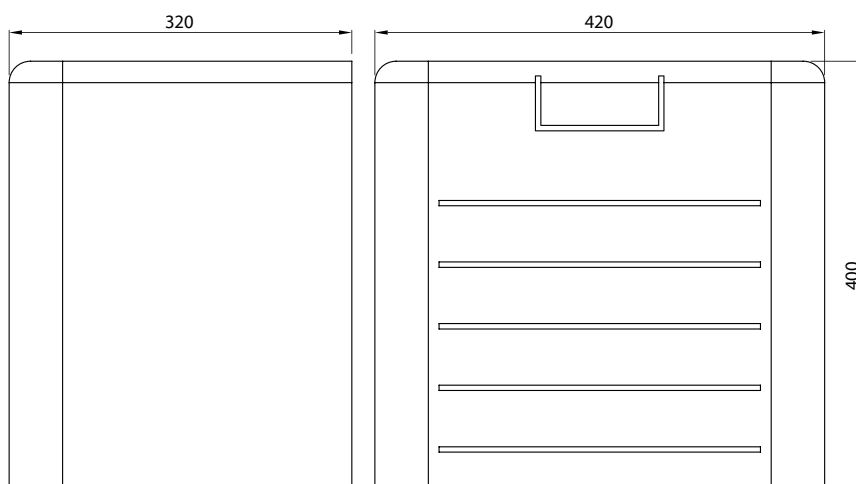


### KIT FOR MANUAL RIVETING



## Dispenser for accessories

### DISPENSER CASE



GW 52 420