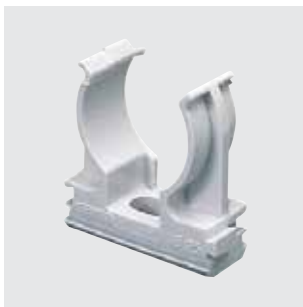
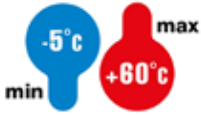


PLASTIC FIXINGS FOR CONDUITS AND CABLES

FIXINGS FOR CONDUITS

INSTALLATION



GW 50 603

SHOCKPROOF POLYMER SADDLE SNAP CLIP - GREY RAL 7035



Code	For external conduits (mm)	Wall-conduit axis distance (mm)	Pack Carton
GW 50 601	16	20	100/1800
GW 50 602	20	22	100/1600
GW 50 603	25	24.5	100/900
GW 50 604	32	28	100/900
GW 50 628	40	32	50/450
GW 50 629	50	37	50/450

NOTES: suitable for riveting machines.
 GW50628 and GW50629 not Halogen Free.
APPLICATIONS: recommended for surface mounting



GW 50 605

SHOCKPROOF POLYMER SADDLE COLLAR CLIP - GREY RAL 7035



Code	For external conduits (mm)	Wall-conduit axis distance (mm)	Pack Carton
GW 50 605	16	20	100/900
GW 50 606	20	22	100/900
GW 50 607	25	24.5	100/600
GW 50 608	32	28	50/450
GW 50 630	40	32	35/350
GW 50 631	50	37	25/200

APPLICATIONS: Recommended for ceiling applications.



GW 50 609

MODULAR LOCK-JOINT RAIL TO FIX SHOCKPROOF POLYMER SUPPORTS - GREY RAL 7035

Code	Length (mm)	Pack Carton
GW 50 609	200	50/350



GW 50 651

MULTI-DIAMETER CLAMP SUPPORTS - GREY RAL 7035

Code	For external conduits (mm)	Wall-conduit axis distance (mm)	Pack Carton
GW 50 651	16-20	14-16	75/900
GW 50 652	25-32	21.5-25	25/250
GW 50 653	40-50	30-35	15/150

ACCESSORIES FOR FIXING CONDUITS AND CABLES

Plastic fixing for pipes and cables

TECHNICAL CHARACTERISTICS

Standard: IEC EN 61386-1 (when applicable);

Installation temperature: min. -5°C; max. +60°C

Insulation resistance: > 100 MΩ at 500V

Installation type: on wall or ceiling

Dielectric rigidity: 2000V at 50 Hz

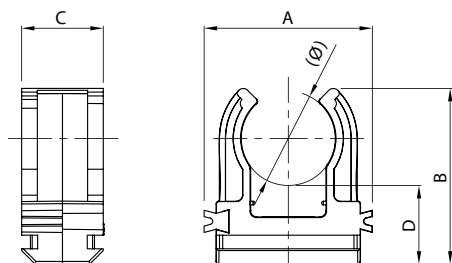
Glow wire test: 750°C

BEHAVIOUR WITH CHEMICAL AND ATMOSPHERIC AGENTS

Agent	Saline solution	Acids		Bases		Solvents				Mineral oil	UV rays
		Concentrated	Diluted	Concentrated	Diluted	Hexane	Benzol	Acetone	Ethyl alcohol		
50 AC Supports	Resistant	Limited resistance	Limited resistance	Resistant	Resistant	Resistant	Resistant	Resistant	Resistant	Resistant	Limited resistance
50 AC Accessories	Resistant	Resistant	Resistant	Resistant	Resistant	Resistant	Limited resistance	Limited resistance	Resistant	Resistant	Resistant

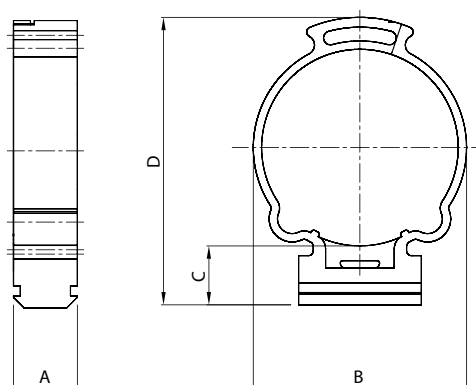
Dimension tables

MEDIA RELEASE POLYMER SHOCKPROOF



Code	∅ Pipe	A	B	C	D
GW 50 601	16	27	28	13	12.5
GW 50 602	20	31	31	13	12.5
GW 50 603	25	36	34	13	12.5
GW 50 604	32	42	38	13	12.5
GW 50 628	40	51	44	13	12.5
GW 50 629	50	63	51	13	12.5

SUPPORTS IN POLYMER SHOCK COLLAR



Code	∅ Pipe	A	B	C	D
GW 50 605	16	13	25	13	37
GW 50 606	20	13	26	13	43
GW 50 607	25	13	31	13	47
GW 50 608	32	13	38	13	55
GW 50 630	40	13	47	13	61
GW 50 631	50	13	57	13	71