



48 PT / PT DIN BOXES



11 sizes complete with mortar guard elements, for creating junction points on the basis of specific needs. In sizes 6÷11, the boxes have a built-in DIN rail on the back-mounting box; this makes the range unique. Dispersible max power can be used to match the value with domotic and video entryphone devices. a characteristic that makes the range unique in the market.

48 CM BOXES



Thanks to the considerable box depth (121 mm), all the models in this range can accommodate a greater number of conduits (even with a wide diameter) along the vertical and horizontal walls. These characteristics make the 48CM boxes ideal for junction along system uprights.

48 PTC BOXES



A system consisting of boxes, enclosures and modular boards for junction, command and distribution. The IP55 version is ideal for applications in technical rooms, kitchens or places where there is a risk of the system being struck by sudden jets of water.

48 PT / PT DIN - CONNECTION AND JUNCTION BOXES ALSO FOR DOMOTICS - IP40

TECHNICAL CHARACTERISTICS

Standard: IEC EN 606070-1 (CEI 23-48); IEC EN 60670-22 (CEI 23-94); IEC EN 60670-24 (CEI 23-49) (*)
 Degree of protection: IP40
 Installation temperature: max +60°C; min. -15°C
 Material: GW PLAST technopolymer, halogen-free in accordance with EN 60754-2 (CEI EN 50267-2-2)

Impact resistance: IK 07 (standard and deep covers)
 IK 10 (impact resistant cover)
 Heat resistance: thermo-pressure with ball 70°C
 Resistance to abnormal heat and fire: Glow wire test 650°C
 Applications: for brickwork walls

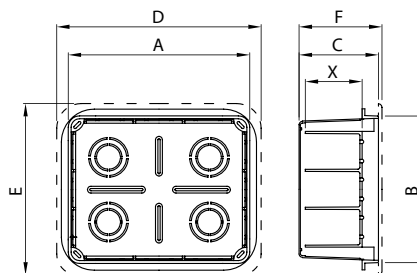
(*) Enclosure type: GP (CEI 23-51) and PD

BEHAVIOUR WITH CHEMICAL AND ATMOSPHERIC AGENTS

Agent	Saline solution	Acids		Bases		Solvents				Mineral oil	UV rays
		Concentrated	Diluted	Concentrated	Diluted	Hexane	Benzol	Acetone	Ethyl alcohol		
48 PT / PT DIN standard cover	Resistant	Not resistant	Not resistant	Limited resistance	Limited resistance	Not resistant	Not resistant	Not resistant	Limited resistance	Limited resistance	Limited resistance
Shockproof cover for 48 PT / PT DIN	Resistant	Not resistant	Limited resistance	Not resistant	Limited resistance	Resistant	Not resistant	Not resistant	Limited resistance	Limited resistance	Limited resistance

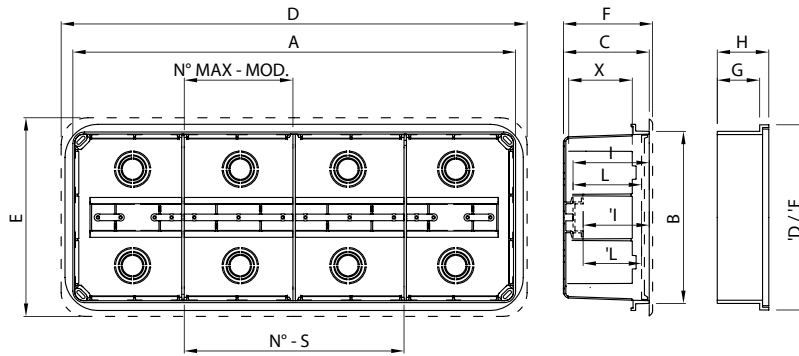
Dimension tables

JUNCTION BOXES (GW48001-GW48005)



Code	Modular boxes										Cover			Deep lid				max Ø of conduit per sector	max Ø of conduit in the back-mounting plate	Maximum dispersible power
	A	B	C	X	N° - S	No. modules N° - M	I	L	'I	'L	D	E	F	'D	'E	G	H			
GW 48 001	92	92	45	30	-	-	-	-	-	-	112	112	48.5	-	-	-	-	Ø32	Ø25	-
GW 48 002	118	96	50	36	-	-	-	-	-	-	138	116	53.5	-	-	-	-	Ø32	Ø25	-
GW 48 003	118	96	70	50	-	-	-	-	-	-	138	116	73.5	-	-	-	-	Ø32	Ø25	-
GW 48 004 GW 48 084	152	98	70	50	-	-	-	-	-	-	172	118	73.5	170	116	49	56	Ø40	Ø32	-
GW 48 005 GW 48 085	160	130	70	50	-	-	-	-	-	-	186	156	74	178	148	49	56	Ø40	Ø32	-

FLUSH MOUNTING ENCLOSURES WITH INTEGRATED DIN RAIL



Code	Modular boxes						Cover				Deep lid				max Ø of conduit per sector	max Ø of conduit in the back-mounting plate	Maximum dispersible power			
	A	B	C	X	N° -S	No. modules N° - M	I	L	'I	'L	D	E	F	'D				'E	G	H
GW 48 006 GW 48 086	196	152	75	57	2	4.5	69	61	62	53.5	222	178	79	214	170	49	56	Ø50	Ø32	11W
GW 48 007 GW 48 087	294	152	75	57	3	5	69	61	62	53.5	320	178	79	312	170	66	73	Ø50	Ø32	13W
GW 48 008 GW 48 088	392	152	75	57	4	5	70	63	63	55.5	418	178	80	410	170	66	73	Ø50	Ø32	17W
GW 48 009	480	160	75	57	3	8	70	61	63	53.5	506	186	80.5	-	-	-	-	Ø50	Ø50	25W
GW 48 010	516	202	90	69	3	9	85.5	78	78	70.5	543	229	96	-	-	-	-	Ø63	Ø50	29W
GW 48 011	516	294	90	69	6	4	85.5	77	78	70	543	320	96	-	-	-	-	Ø63	Ø50	30W