

COMPLEMENTARY ITEMS

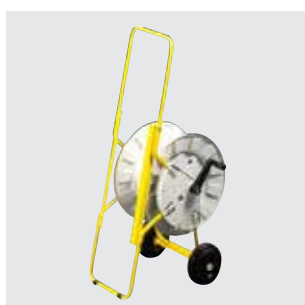


GW 68 431

**YELLOW-PAINTED METAL CONDUIT SUPPORT
WITH SUPPORT FOR CABLES OF UP TO 20 M**

Code	Outer dim. LxHxD (mm)	For distribution board type	Pack Carton
GW 68 431	350x715x435	Q-DIN 10	1
GW 68 433	350x770x520	Q-DIN 14/20	1

NOTES: the type of cable considered is H 07 RN - F 5 x 4 mm²; the length varies according to the type of cable.
GW68433: Q-DIN protection system against the front drops.

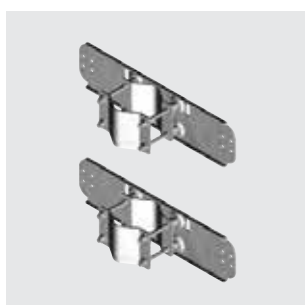


GW 68 432

**METAL CARRIER PAINTED IN YELLOW
EQUIPPED WITH TWO WHEELS AND ROTATING DRUM TO WIND UP TO 50 M OF CABLE**

Code	Outer dim. LxHxD (mm)	For distribution board type	Pack Carton
GW 68 432	495x1000x605	Q-DIN 14/20	1

NOTES: the type of cable considered is H 07 RN - F 5 x 4 mm²; the length varies according to the type of cable. 1+1 flanges for socket-outlets IEC 309 16A and 32A.



GW 46 552

POLE SUPPORT KIT FOR 68 Q-DIN BOARDS

Code	For Q-DIN	Max sustainable load (kg)	Pack Carton
GW 46 552	14	12	1
GW 46 553	20	125	1

CHARACTERISTICS: fixed on the back of the boards. The maximum sustainable load values refer to Q-DIN boards.

APPLICATIONS: for application of boards on poles from 60 to 80mm.

ACCESSORIES SUPPLIED: 2 pieces. For the correct use of the kit, see the instructions sheet.



GW 46 446

BRACKETS FOR FIXING BOARDS TO THE WALL

Code	Material	For Q-DIN	Accessories supplied	Pack Carton
GW 44 621	Insulation	5	Self-tapping fixing screws	40/480
GW 46 446	Galvanised steel	10/14/20	Self-tapping fixing screws	20
GW 46 451	Stainless steel	10/14/20	Self-tapping fixing screws	20

NOTES: GW44621: used to maintain the double insulation and the original IP degree of protection of the boxes, containers and other GEWISS products.

GW46446 and GW46451: set composed of 4 brackets. Maximum sustainable load 8 kg for Q-DIN10, 12 kg for Q-DIN14 and 15 kg for Q-DIN20.