



GW 46 203 F

**POLYESTER WATERTIGHT BOARDS WITH TRANSPARENT DOOR AND LOCK - GREY RAL 7035**

**FAST EASY**

**HF**  
HERMETIC FIT

UL  
1000V  
EN 62208

EN 62208

Code	Nominal djm. LxHxD (mm)	No. of modules EN 50022	No. locks	Dispersible power A (W)	Dispersible power B (W)	Pack Carton
GW 46 201 F	250x300x160		1	34	-	1
GW 46 202 F	310x425x160	36 (12x3)	2	48	39	1
GW 46 203 F	405x500x200	54 (18x3)	2	95	53	1
GW 46 204 F	405x650x200	72 (18x4)	2	118	81	1
GW 46 205 F	515x650x250	96 (24x4)	2	126	106	1
GW 46 206 F	585x800x300	140 (28x5)	2	205	146	1
GW 46 207 F	800x1060x350	180 (36x5)	2	324	226	1

**ACCESSORIES SUPPLIED:** boxes equipped with inserts pre-assembled in the slots, to speed up the configuration of the board. For the transparent door version: GWT 650°C. From board GW46202F to board GW46206F it is possible to fix the panels with windows or blank (1 or 2 modules) directly in the seats housed in the vertical walls of the boards; for the board GW46207F use uprights GW46439F. Impact resistance of the bottom: IK10 according to EN 62262.

**ACCESSORIES SUPPLIED:** 4 reversible brackets with relative screws for fixing back-mounting plates or uprights for modular devices.

**NOTES:** Dispersible power calculated according to CEI 23-49.

Dispersible power A (W): board configuration with back-mounting plate (as far back as possible).

Dispersible power B (W): board configuration with DIN rails + panels with windows.

The nominal dimensions in the table above refer to the external size of the boards; for the real outer dimensions refer to the technical data sheet downloadable from professionals website GEWISS or to the technical section of this catalogue.

For applications in the photovoltaic environment, use the surface-mounting brackets - code GW44621.

**SPARE PARTS**



GW 46 504 F

**BLANK DOOR WITH LOCK**

**HF**  
HERMETIC FIT

Code	For boards LxH (mm)	No. locks	Pack Carton
GW 46 501 F	250x300	1	1/6
GW 46 502 F	310x425	2	1/6
GW 46 503 F	405x500	2	1/8
GW 46 504 F	405x650	2	1/8
GW 46 505 F	515x650	2	1
GW 46 506 F	585x800	2	1
GW 46 507 F	800x1060	2	1

**NOTE:** spare blank doors as compatible with the respective back plates of the previous boards of the 46QP range.



GW 46 513 F

**TRANSPARENT DOOR AND LOCK**

**HF**  
HERMETIC FIT

Code	For boards LxH (mm)	No. locks	Pack Carton
GW 46 511 F	250x300	1	1/6
GW 46 512 F	310x425	2	1/6
GW 46 513 F	405x500	2	1/8
GW 46 514 F	405x650	2	1/8
GW 46 515 F	515x650	2	1
GW 46 516 F	585x800	2	1
GW 46 517 F	800x1060	2	1

**NOTE:** spare transparent doors as compatible with the respective back plates of the previous boards of the 46QP range.

## 46 QP - WATERTIGHT POLYESTER BOARDS FIBER GLASS CHARGED - IP66

### TECHNICAL CHARACTERISTICS (-)

Standard: EN 61439-1 (CEI 17-113); EN 61439-2 (CEI 17-114); EN 60439-1 (CEI 17-13/1); EN 62208 (CEI 17-87); IEC EN 606070-1 (CEI 23-48); IEC EN 60670-24 (CEI 23-49) (\*)

Degree of protection: IP66

Protection against indirect contact: double insulation - □ (•)

Installation temperature: max. +60°C; min. -25°C

Maximum rated operating voltage (Ue): 690V

Rated insulation voltage (Ui): 1000V (in both AC and DC)

Material: polyester reinforced with fibreglass, halogen-free in accordance with EN 60754-2 (CEI EN 50267-2-2)

Impact resistance: Boards with blank door: IK10 according to EN62262 ed EN61439-1

Boards with transparent door: casse IK10 according to EN62262 ed EN61439-1

Heat resistance: thermo-pressure with ball 200°C

Resistance to abnormal heat and fire: Glow wire test 960°C for blank door versions;

Glow wire test 650°C for versions with door with window

(•) Complete insulation, in compliance with the EN 61140 Standard, obtained by using GW 46 446 and GW 46 451 fixing brackets.

(-) The technical and functional characteristics are referred to only one installation in a vertical position

For the working of the boards take all protective measures and procedures described in the user guide.

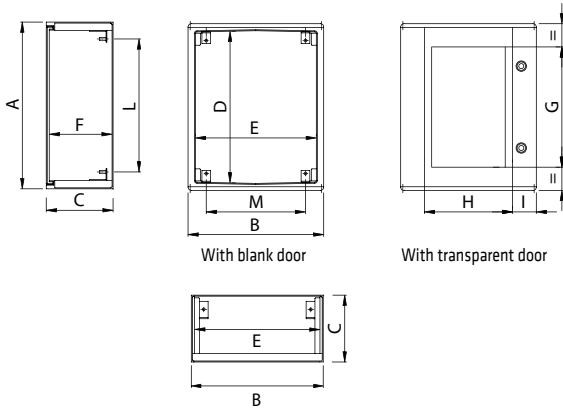
(\*) Enclosure type: GP (CEI 23-51) and PD

### BEHAVIOUR WITH CHEMICAL AND ATMOSPHERIC AGENTS

Saline solution	Acids		Bases		Solvents				Mineral oil	UV rays
	Concentrated	Diluted	Concentrated	Diluted	Hexane	Benzol	Acetone	Ethyl alcohol		
Resistant	Limited resistance	Limited resistance	Limited resistance	Limited resistance	Limited resistance	Limited resistance	Not resistant	Limited resistance	Resistant	Resistant

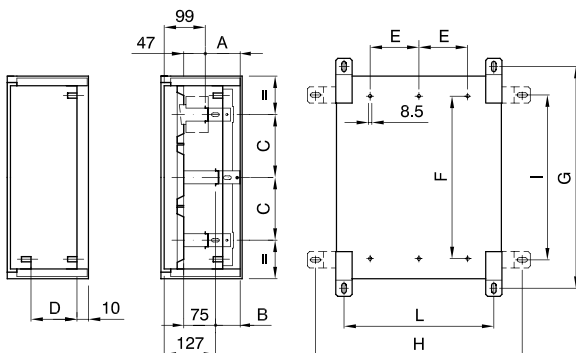
## Dimension tables

### BOARDS



Board Code	GW 46 001F GW 46 201F	GW 46 002F GW 46 202F	GW 46 003F GW 46 203F	GW 46 004F GW 46 204F	GW 46 005F GW 46 205F	GW 46 006F GW 46 206F	GW 46 007F GW 46 207F
A	300	424	499	649	649	799	1060
B	250	313	406	406	514	586	777
C	160	160	200	200	250	300	350
D	251	375	450	600	600	750	1000
E	206	269	362	362	470	542	722
F	154	154	194	194	244	294	342
G	205	310	360	510	510	650	827
H	140	169	264	264	380	440	577
I	71	71	71	71	71	71	100
L	203	327	402	552	552	702	952
M	141	202	297	297	405	477	657

### Adjustment and fixing centre distances for watertight polyester boards



Board Code	GW 46 001F GW 46 201F	GW 46 002F GW 46 202F	GW 46 003F GW 46 203F	GW 46 004F GW 46 204F	GW 46 005F GW 46 205F	GW 46 006F GW 46 206F	GW 46 007F GW 46 207F
A	-	55	95	95	145	195	245
B	-	27	67	67	117	167	217
C	-	125	150	150	150	150	200
D	85	85	125	125	175	225	275
E	53	84.5	131	131	184	221	307
F	185	309	384	534	470	620	860
G	348	472	547	697	695	845	1088
H	311	374	467	467	573	643	819
I	208	332	407	557	557	705	948
L	171	234	327	327	433	507	679