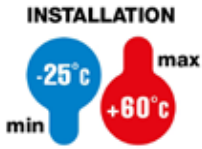


## 44 CEP - WATERTIGHT BOARDS IN GWPLAST 120 - GWT 650 °C - IP55



IP  
55

GWT  
650°C



## DISTRIBUTION BOARDS



GW 44 810

## WATERTIGHT BOARDS WITH BLANK DOOR FITTED WITH LOCK - GREY RAL 7035



Code	Outer dim. LxHxD (mm)	No. of modules EN 50022	No. locks	Dispersible power A (W)	Dispersible power B (W)	Pack Carton
GW 44 808	200x254x135		1	16	17	4
GW 44 809	236x316x135	8	1	26	31	4
GW 44 810	316x396x160	24 (12X2)	2	42	34	2
GW 44 811	396x474x160	32 (16X2)	2	52	46	2

**CHARACTERISTICS:** Doors equipped with functional grid of reference for fixing the devices. Impact resistance: 5 J.

**ACCESSORIES SUPPLIED:** frame for semi-flush-mounting installations, screwcap for double insulation, triangle key.

**NOTES:** The technical and functional characteristics, and the nominal values, refer to vertical installation only.

Dispersible power calculated according to CEI 23-49:

Dispersible power A (W): configuration of the board with relative back-mounting plate.

Dispersible power B (W): configuration of the board with relative panel with windows.



GW 44 820

## WATERTIGHT BOARDS WITH TRANSPARENT DOOR FITTED WITH LOCK - GREY RAL 7035



Code	Outer dim. LxHxD (mm)	No. of modules EN 50022	No. locks	Dispersible power A (W)	Dispersible power B (W)	Pack Carton
GW 44 818	200x254x135		1	16	17	4
GW 44 819	236x316x135	8	1	26	31	4
GW 44 820	316x396x160	24 (12X2)	2	42	34	2
GW 44 821	396x474x160	32 (16X2)	2	52	46	2

**CHARACTERISTICS:** Doors equipped with functional grid of reference for fixing the devices. Impact resistance: 5 J.

**ACCESSORIES SUPPLIED:** frame for semi-flush-mounting installations, screwcap for double insulation, triangle key.

**NOTES:** The technical and functional characteristics, and the nominal values, refer to vertical installation only.

Dispersible power calculated according to CEI 23-49:

Dispersible power A (W): configuration of the board with relative back-mounting plate.

Dispersible power B (W): configuration of the board with relative panel with windows.

## 44 CEP - WATERTIGHT BOARDS IN GWPLAST 120 - GWT 650°C - IP55

### TECHNICAL CHARACTERISTICS (-)

Standard: EN 61439-1 (CEI 17-113); EN 61439-2 (CEI 17-114); EN 60439-1 (CEI 17-13/1);  
IEC EN 606070-1 (CEI 23-48); IEC EN 60670-24 (CEI 23-49) (\*)

Degree of protection: IP55

Protection against indirect contact: double insulation -  (\*)

Installation temperature: max. +60°C; min. -25°C

Maximum rated insulation voltage (Ui): 750V

Maximum rated operating voltage (Ue): 750V

Material: GW PLAST 120, halogen-free in accordance with EN 60754-2 (CEI EN 50267-2-2)

Impact resistance: IK08 in accordance with EN 62262

Heat resistance: thermo-pressure with ball 110°C

Resistance to abnormal heat and fire: Glow wire test 650°C

(\*) Complete insulation, in accordance with EN 61140 Standard, obtainable with screwcaps or GW 44 621 / GW 46 446 / GW 46 451 fixing brackets.

(-) The technical and functional characteristics are referred to only one installation in a vertical position

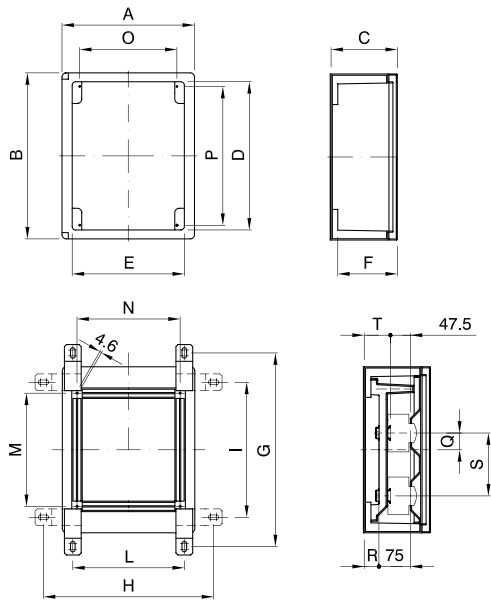
(\*) Enclosure type: GP (CEI 23-51) and PD

### BEHAVIOUR WITH CHEMICAL AND ATMOSPHERIC AGENTS

Saline solution	Acids		Bases		Solvents				Mineral oil	UV rays
	Concentrated	Diluted	Concentrated	Diluted	Hexane	Benzol	Acetone	Ethyl alcohol		
Resistant	Limited resistance	Limited resistance	Limited resistance	Limited resistance	Limited resistance	Not resistant	Not resistant	Limited resistance	Limited resistance	Limited resistance

## Dimension tables

### BOARDS



Board Code	GW 44 808 GW 44 818	GW 44 809 GW 44 819	GW 44 810 GW 44 820	GW 44 811 GW 44 821
A	200	236	316	396
B	254	316	396	474
C	135	135	160	160
D	211.5	273.5	353.5	431.5
E	151.5	187.5	267.5	347.5
F	127.5	127.5	140	140
G	321	383	463	541
H	290	326	406	486
I	181	243	323	401
L	150	186	266	346
M	129	191	271	349
N	130	166	246	326
O	116	152	232	312
P	189	251	331	409
Q	-	40	40	75
R	-	27	35	35
S	-	150	150	150
T	-	54.5	62.5	62.5

### BACK-MOUNTING PLATES

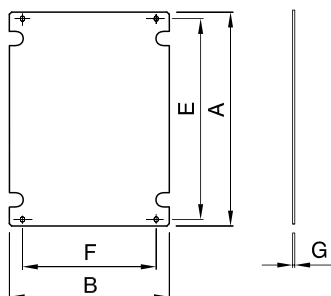


Plate	A	B	E	F	G	Board
GW 44 636	205.5	145.5	189	118	1.5	GW 44 808
GW 44 646					4	GW 44 818
GW 44 637	267.5	181.5	251	152	1.5	GW 44 809
GW 44 647					4	GW 44 819
GW 44 638	347.5	261.5	331	232	2	GW 44 810
GW 44 648					4	GW 44 820
GW 44 639	425.5	341.5	409	312	2	GW 44 811
GW 44 649					4	GW 44 821