

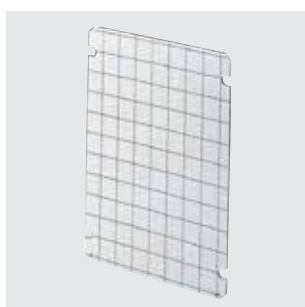
INTERNAL CONFIGURATION



GW 44 639

BACK-MOUNTING PLATE IN GALVANISED STEEL WITH SELF-TAPPING FIXING SCREWS

Code	For boards LxH (mm)	Pack Carton
GW 44 636	200x254	20
GW 44 637	236x316	20
GW 44 638	316x396	5
GW 44 639	396x474	5



GW 44 649

BACK-MOUNTING PLATE IN INSULATED MATERIAL WITH SELF-TAPPING FIXING SCREWS

Code	For boards LxH (mm)	Pack Carton
GW 44 646	200x254	20
GW 44 647	236x316	20
GW 44 648	316x396	4
GW 44 649	396x474	5

CHARACTERISTICS: equipped with functional grid for fixing devices.



GW 44 854

PANELS WITH WINDOW FOR MODULAR DEVICES AND MOULDED-CASE CIRCUIT BREAKERS IN FIXED POSITION EXECUTION, UP TO 160 A COUPLING - GREY RAL 7035



Code	No. of modules EN 50022	For boards LxH (mm)	Suitable for	Pack Carton
GW 44 852	8	236x316	Moulded case max 125 A	8
GW 44 853	14	316x396	Moulded case max 160 A	8
GW 44 854	24 (12X2)	316x396	Moulded case max 125 A	8
GW 44 855	32 (16X2)	396x474	Moulded case max 160 A	8

ACCESSORIES SUPPLIED: fixing uprights and DIN rails, module masks, user labels.

44 CEP - WATERTIGHT BOARDS IN GWPLAST 120 - GWT 650°C - IP55

TECHNICAL CHARACTERISTICS (-)

Standard: EN 61439-1 (CEI 17-113); EN 61439-2 (CEI 17-114); EN 60439-1 (CEI 17-13/1);
IEC EN 606070-1 (CEI 23-48); IEC EN 60670-24 (CEI 23-49) (*)

Degree of protection: IP55

Protection against indirect contact: double insulation -  (*)

Installation temperature: max. +60°C; min. -25°C

Maximum rated insulation voltage (Ui): 750V

Maximum rated operating voltage (Ue): 750V

Material: GW PLAST 120, halogen-free in accordance with EN 60754-2 (CEI EN 50267-2-2)

Impact resistance: IK08 in accordance with EN 62262

Heat resistance: thermo-pressure with ball 110°C

Resistance to abnormal heat and fire: Glow wire test 650°C

(*) Complete insulation, in accordance with EN 61140 Standard, obtainable with screwcaps or GW 44 621 / GW 46 446 / GW 46 451 fixing brackets.

(-) The technical and functional characteristics are referred to only one installation in a vertical position

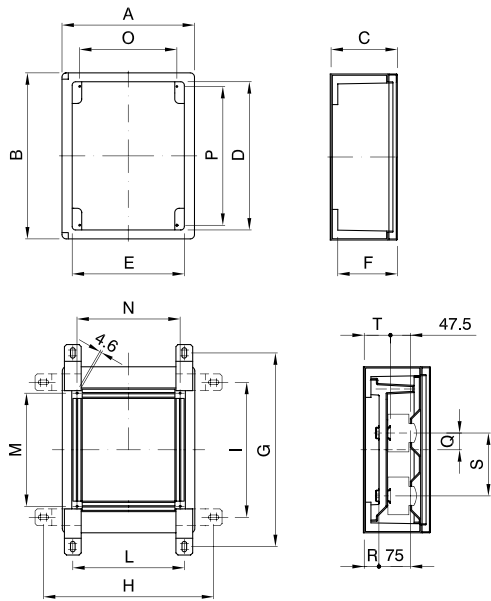
(*) Enclosure type: GP (CEI 23-51) and PD

BEHAVIOUR WITH CHEMICAL AND ATMOSPHERIC AGENTS

Saline solution	Acids		Bases		Solvents				Mineral oil	UV rays
	Concentrated	Diluted	Concentrated	Diluted	Hexane	Benzol	Acetone	Ethyl alcohol		
Resistant	Limited resistance	Limited resistance	Limited resistance	Limited resistance	Limited resistance	Not resistant	Not resistant	Limited resistance	Limited resistance	Limited resistance

Dimension tables

BOARDS



Board Code	GW 44 808 GW 44 818	GW 44 809 GW 44 819	GW 44 810 GW 44 820	GW 44 811 GW 44 821
A	200	236	316	396
B	254	316	396	474
C	135	135	160	160
D	211.5	273.5	353.5	431.5
E	151.5	187.5	267.5	347.5
F	127.5	127.5	140	140
G	321	383	463	541
H	290	326	406	486
I	181	243	323	401
L	150	186	266	346
M	129	191	271	349
N	130	166	246	326
O	116	152	232	312
P	189	251	331	409
Q	-	40	40	75
R	-	27	35	35
S	-	150	150	150
T	-	54.5	62.5	62.5

BACK-MOUNTING PLATES

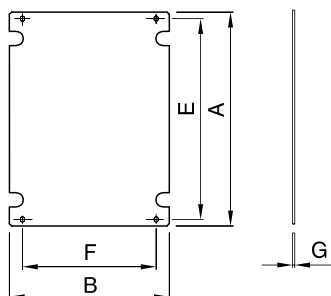


Plate	A	B	E	F	G	Board
GW 44 636	205.5	145.5	189	118	1.5	GW 44 808
GW 44 646					4	GW 44 818
GW 44 637	267.5	181.5	251	152	1.5	GW 44 809
GW 44 647					4	GW 44 819
GW 44 638	347.5	261.5	331	232	2	GW 44 810
GW 44 648					4	GW 44 820
GW 44 639	425.5	341.5	409	312	2	GW 44 811
GW 44 649					4	GW 44 821