

# 40 CDi

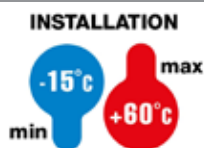
## Flush-mounting distribution boards and enclosures

The widest offer of flush-mounting distribution boards and enclosures currently available on the market. Seven families designed to offer advanced solutions in the residential and commercial sector, also available in halogen-free material. Versions from 2 to 72 modules, degree of protection from IP40 to IP55 and special versions for plasterboard. The offer also includes the Home Networking Enclosure compliant with Law 164/2014 and Telecom Italia approved.



**Technical characteristics page 1239**

### 40 CDi - DECORATIVE ENCLOSURES - IP40



**IK  
08**

**IP  
40**

**GWT  
650°C**



#### SMOKED TRANSPARENT DOOR



GW 40 229 TB

#### DECORATIVE ENCLOSURES PRE-ARRANGED FOR HOUSING TERMINAL BLOCKS



Code	Colour	Front dim. LxHxD (mm)	Spare base	Dispersible power (W)	Pack Carton
<b>No. of modules EN 50022: 4+1/2</b>					
GW 40 237 TB	Milk white	148x165x23	GW40671	13	12
GW 40 237 TN	Toner black	148x165x23	GW40671	13	12
GW 40 237 VT	Varnished titanium	148x165x23	GW40671	13	12
GW 40 237 VA	Varnished slate	148x165x23	GW40671	13	12
<b>No. of modules EN 50022: 8+1/2</b>					
GW 40 225 TB	Milk white	250x195x26	GW40673	19	16
GW 40 225 TN	Toner black	250x195x26	GW40673	19	16
GW 40 225 VT	Varnished titanium	250x195x26	GW40673	19	16
GW 40 225 VA	Varnished slate	250x195x26	GW40673	19	16
<b>No. of modules EN 50022: 12+1</b>					
GW 40 229 TB	Milk white	330x218x25	GW40674	24	12
GW 40 229 TN	Toner black	330x218x25	GW40674	24	12
GW 40 229 VT	Varnished titanium	330x218x25	GW40674	24	12
GW 40 229 VA	Varnished slate	330x218x25	GW40674	24	12
<b>No. of modules EN 50022: 24+2 (12x2)</b>					
GW 40 233 TB	Milk white	330x338x28	GW40677	25	5
GW 40 233 TN	Toner black	330x338x28	GW40677	25	5
GW 40 233 VT	Varnished titanium	330x338x28	GW40677	25	5
GW 40 233 VA	Varnished slate	330x338x28	GW40677	25	5
<b>No. of modules EN 50022: 36+3 (12x3)</b>					
GW 40 239 TB	Milk white	330x493x28	GW40679	42	5
GW 40 239 TN	Toner black	330x493x28	GW40679	42	5
GW 40 239 VT	Varnished titanium	330x493x28	GW40679	42	5
GW 40 239 VA	Varnished slate	330x493x28	GW40679	42	5

**ACCESSORIES SUPPLIED:** 6.5 M module-covering profiles co-ordinated with the colour of the enclosure front (for 4, 8 and 12-module enclosures - 1 profile; for 24-module enclosures - 2 profiles; for 36-module enclosures - 3 profiles), circuit labels, mortar guard element in cardboard supplied as standard in the packs and packed with paper banding.

**NOTES:** Dispersible power calculated according to CEI 23-49.

**CHARACTERISTICS:** Module-covering profiles can be divided into 1/2 module elements, using scissors.

Mortar guard element assembled by pressing on the base opening. Thermo-pressure with ball equal to 70°C.

IP40 guaranteed even with open door, in the case of wall-embedded installation using devices of at least IP40 and the module-covering profiles supplied.

Bottoms of 8 and 12 module enclosures can be assembled side-by-side using combined coupling element GW40425.

Enclosures composed by front cover; Front of the enclosure and DIN rail frame fully compatible with the bottom of the previous decorative flush mounting enclosures 40CDi Range DIN frame, terminal blocks and back plastic bottom.

**INSTALLATION:** for the possible enclosure-terminal block combinations, refer to the summary "COMPATIBILITY OF FLUSH-MOUNTING ENCLOSURES WITH BIPOLAR AND UNIPOLAR TERMINAL BLOCKS" in the selection guides of 40CDi range.

# 40 CDi

## 40 CDi - CHORUS ENCLOSURES - IP40

### TECHNICAL CHARACTERISTICS

Standard: IEC EN 60670-1 (CEI 23-48); IEC EN 60670-24 (CEI 23-49) (\*)

Degree of protection: IP40

Protection against indirect contact: double insulation - □ (•)

Installation temperature: max. +60°C; min. -15°C

Rated voltage: 400V

Rated insulation voltage: 750V

Rated current: 125A

Material: GW PLAST technopolymer, halogen-free in accordance with EN 60754-2 (CEI EN 50267-2-2)

Impact resistance: IK 08

Heat resistance: thermo-pressure with ball 70°C

Resistance to abnormal heat and fire: Glow wire test 650°C

Applications: for brickwork walls

(•) Complete insulation, in accordance with EN 61140 Standard.

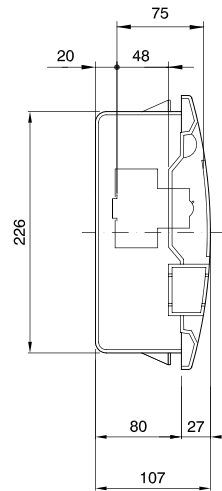
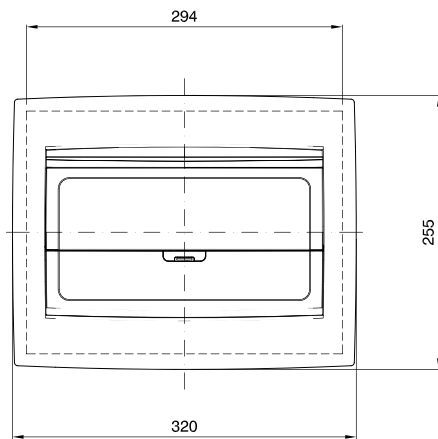
(\*) Enclosure type: GP (CEI 23-51) and PD

### BEHAVIOUR WITH CHEMICAL AND ATMOSPHERIC AGENTS

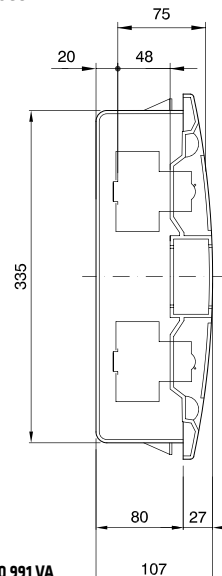
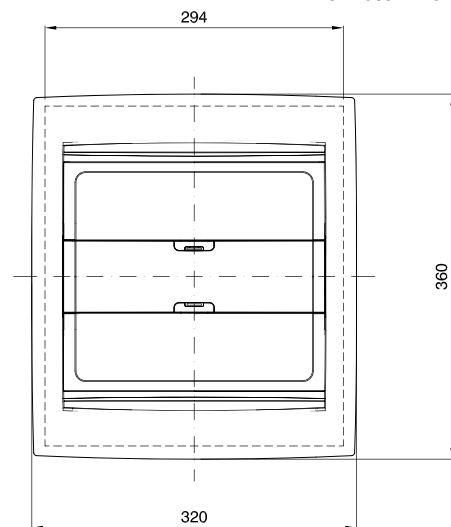
Saline solution	Acids		Bases		Solvents				Mineral oil	UV rays
	Concentrated	Diluted	Concentrated	Diluted	Hexane	Benzol	Acetone	Ethyl alcohol		
Resistant	Not resistant	Resistant	Resistant	Resistant	Resistant	Not resistant	Not resistant	Limited resistance	Limited resistance	Limited resistance

## Dimension tables

### UNWIRED CO-ORDINATED ENCLOSURES



12 MODULES  
GW 40 981 TB - GW 40 981 VT - GW 40 981 VA



24 MODULES  
GW 40 991 TB - GW 40 991 VT - GW 40 991 VA