

40 CD

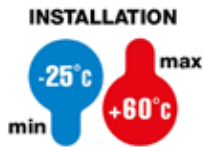
Surface-mounting distribution boards and enclosures

The offer provides: 40CDK watertight boards - IP65 with extractable frame (of 24 M) and plumbable panels; accessories include wiring trunking, locks, aesthetic covers and blank panels; 40CD watertight enclosures - IP55 with perforated holes on the walls, door with lock for each modular row; 40CD enclosures protected by furnishing - IP40 up to 72 M in the smoke and blank door versions; 40 CD enclosures without door - IP40. All materials are halogen-free.



Technical characteristics page 1122

40 CDK - MODULAR WATERTIGHT ENCLOSURES AND DISTRIBUTION BOARDS - IP65



IK
09

IP
65

GWT
650°C



SMOKED TRANSPARENT DOOR - SMOOTH WALLS



GW 40 101

ENCLOSURES - PREDISPOSED FOR TERMINAL BLOCK - GREY RAL 7035



Code	No. of modules EN 50022	Outer dim. LxHxD (mm)	Dispersible power (W)	Pack Carton
GW 40 101	4	143x210x100	13	19
GW 40 102	8	215x210x100	16	12
GW 40 103	12	298x260x140	26	6
GW 40 106	18	410x285x140	38	3

ACCESSORIES SUPPLIED: screwcaps and module masks, circuit labels. GW40102, GW40103 and GW40106, self-adhesive label to be filled out for certification according to standard CEI 23-51.

NOTES: Dispersible power calculated according to CEI 23-49. For the perforations, use the GW52401 milling cutter.

To restore the double insulation, use the relative accessories supplied (module masks and screwcaps) or the brackets for surface-mounting (GW44621).

For applications in the photovoltaic environment, use the surface-mounting brackets - code GW44621.

CHARACTERISTICS: Thermo-pressure with ball equal to 70°C.

INSTALLATION: for the possible enclosure-terminal block combinations, refer to the summary "COMPATIBILITY OF SURFACE-MOUNTING ENCLOSURES WITH BIPOLAR AND UNIPOLAR TERMINAL BLOCKS" in the selection guides of 40CD range.



GW 40 102 BS

ENCLOSURES - EQUIPPED WITH 80 A IP20 BIPOLAR SCREW TERMINAL BLOCK - GREY RAL 7035



Code	No. of modules EN 50022	Outer dim. LxHxD (mm)	Dispersible power (W)	Pole 1 (mm ²)	Pole 2 (mm ²)	Pack Carton
GW 40 102 BS	8	215x210x100	16	N/E (2x16) + (7x10)	N/E (2x16) + (7x10)	12
GW 40 103 BS	12	298x260x140	26	N/E (3x16) + (11x10)	N/E (3x16) + (11x10)	6
GW 40 106 BS	18	410x285x140	38	N/E (3x16) + (17x10)	N/E (3x16) + (17x10)	3

ACCESSORIES SUPPLIED: screwcaps and module masks, circuit labels. Self-adhesive label to be filled out for certification according to standard CEI 23-51. Insulated bipolar screw 80A - IP20 terminal blocks to be installed on the frame before wiring.

NOTES: dispersible power calculated according to CEI 23-49. For the perforations, use the GW52401 milling cutter. To restore the double insulation, use the relative accessories supplied (module masks and screwcaps) or the brackets for surface-mounting (GW44621). For applications in the photovoltaic environment, use the surface-mounting brackets - code GW44621.

CHARACTERISTICS: thermo-pressure with ball equal to 70°C.

40 CD



40 CDK - WATERTIGHT ENCLOSURES AND BOARDS



IP65 40 CDK range of watertight enclosures from 4 to 72M with smoked transparent door. The main technical features are: reversible front and back panel, removable frames and panels with windows and detachable doors with up to 180° opening and with lock accessory.

40 CD - PROTECTED DECORATIVE ENCLOSURES



The 40 CD IP40 protected decorative enclosures are available in sizes from 8 to 72M, provide superior aesthetic integration with any type of furniture. Available with smoked transparent or white blank doors characterized by the "PUSH" opening and closing.

TWO-POLE AND ONE-POLE TERMINAL BLOCKS - IP20



Available with screw wiring, the two-pole and single-pole terminal blocks allow to create simple and neat wiring reducing the set-up time of the enclosure. They can be fixed directly on the back plate of enclosures or via adapter.

40 CDK - MODULAR WATERTIGHT ENCLOSURES AND DISTRIBUTION BOARDS - IP65

TECHNICAL CHARACTERISTICS

Standard: IEC EN 60670-1 (CEI 23-48); IEC EN 60670-24 (CEI 23-49) (*).

Suitable for assemblies in compliance with IEC EN 61439-1 and IEC EN 61439-3

Degree of protection: IP65

Protection against indirect contact: double insulation - □ (•)

Installation temperature: max. +60°C; min. -25°C

Rated voltage: 400V

Rated insulation voltage: 1000V in accordance to EN 62208 (both cc and dc)

Rated current: 125A

Material: technopolymer GW PLAST.

Enclosures predisposed for terminal blocks: halogen-free in accordance with EN 60754-2 (CEI EN 50267-2-2)

Impact resistance: IK 09

Heat resistance: thermo-pressure with ball 70°C

Resistance to abnormal heat and fire: Glow wire test 650°C

(•) Complete insulation in accordance with EN 61140 Standard, obtainable with screwcaps (GW 44 623) or resin fixing brackets (GW 44 621).

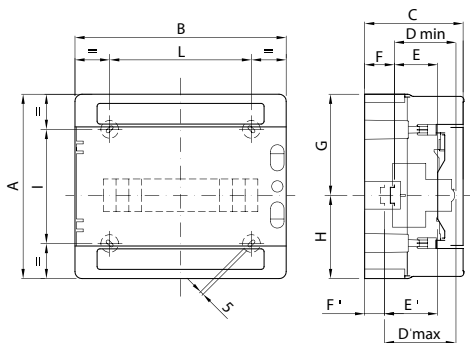
(*) Enclosure type: GP (CEI 23-51) and PD

BEHAVIOUR WITH CHEMICAL AND ATMOSPHERIC AGENTS

Saline solution	Acids		Bases		Solvents				Mineral oil	UV rays
	Concentrated	Diluted	Concentrated	Diluted	Hexane	Benzol	Acetone	Ethyl alcohol		
Resistant	Not resistant	Limited resistance	Not resistant	Limited resistance	Limited resistance	Not resistant	Not resistant	Limited resistance	Limited resistance	Limited resistance

Dimension tables

ENCLOSURES



Code	Overall dimensions			Modular assembly								Fixing		
	A	B	C	D min	E	F	G	H	D'max	E'	F'	NR	I	L
4 M GW 40 101	210	143	100	75	48	15	105	105	-	-	-	3	156	67
8M GW 40 102 GW 40 102 BS	210	215	100	75	48	15	105	105	-	-	-	4	110	115
12M GW 40 103 GW 40 103 BS	260	298	140	75	48	48	117.5	142.5	102	75	21	4	161	200
18M GW 40 106 GW 40 106 BS	285	410	140	75	48	48	117.5	142.5	102	75	21	4	185	310