

27 Combi



WALL-MOUNTING CONTAINERS



The 27 Combi range: tailored protection for every system: a complete and versatile range of modular enclosures, perfectly integrable in the System domestic range, with a degree of protection of IP40, IP55 and IP65, according to the type of application required.

COMBI IP40: SAFETY AND VERSATILITY



The modular containers are extremely easy to install, thanks to the possibility to make installations combining different enclosures for custom-made configurations and to the considerable wiring space inside which can be divided using the special functional elements.

COMBI IP55: ERGONOMICS AND PROTECTION



The special transparent membrane with notches makes it easy to identify the button keys by simply touching them. The door clicks open simply by pressing it near the top. The perfect watertight protection rating is ensured by the door closing system and the sealing gasket couplings.

DOMESTIC RANGES

General characteristics

REFERENCE STANDARDS AND TECHNICAL DATA

Products	Reference Standards	IP degree of protection	Protection against indirect contacts	Installation temperature		Thermo-pressure with ball	Glow Wire Test
				Minimum	Maximum		
COMBI SYSTEM enclosures	EN 60670-1	IP 40 - IP 55	☐	-25°C	+60°C	70°C	650°C
COMBI 22 enclosures	EN 60670-22	IP 66	☐			70°C	650°C
Garden enclosures	EN 60670-1	IP 55	☐			70°C	650°C
COMBI DIN enclosures	EN 60670-1 IEC 60670-24	IP 40	☐			70°C	650°C
Enclosures for mini-trunking and trunking	EN 50085-2-1	IP40	☐	-5°C		70°C	650°C

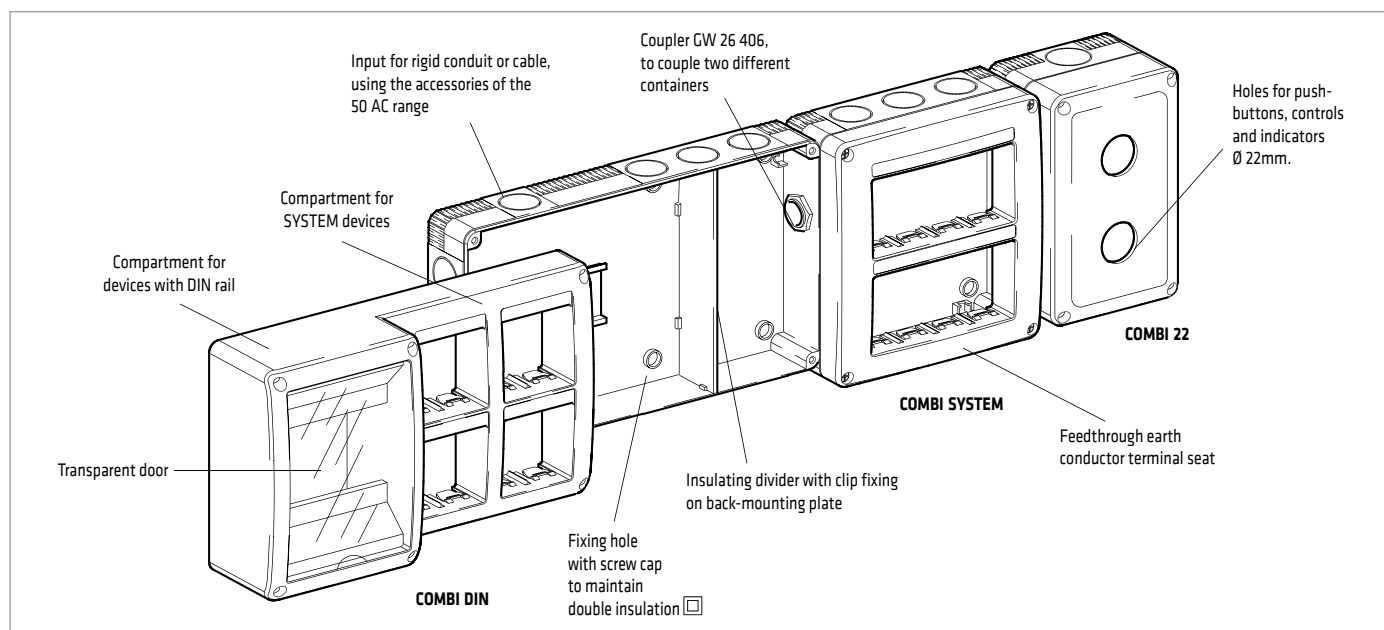
* The Standard references above refer to unwired shells. The shells supplied complete with devices meet the respective product norms.

BEHAVIOUR WITH CHEMICAL AND ATMOSPHERIC AGENTS

Agent	Water	Saline solution	Acids		Bases		Solvents				Mineral oil	UV rays
			Concentrated	Diluted	Concentrated	Diluted	Hexane	Benzol	Acetone	Ethyl alcohol		
Resistance*	Resistant	Resistant	Limited resistance	Resistant	Resistant	Resistant	Limited resistance	Not resistant	Not resistant	Not resistant	Limited resistance	Resistant

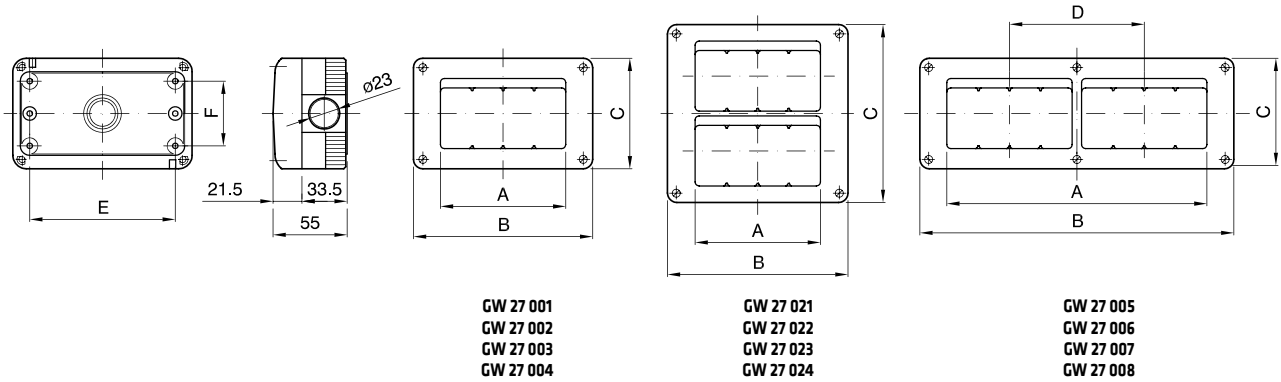
* The resistance values given are valid for an ambient temperature no higher than 40°C.

Construction characteristics



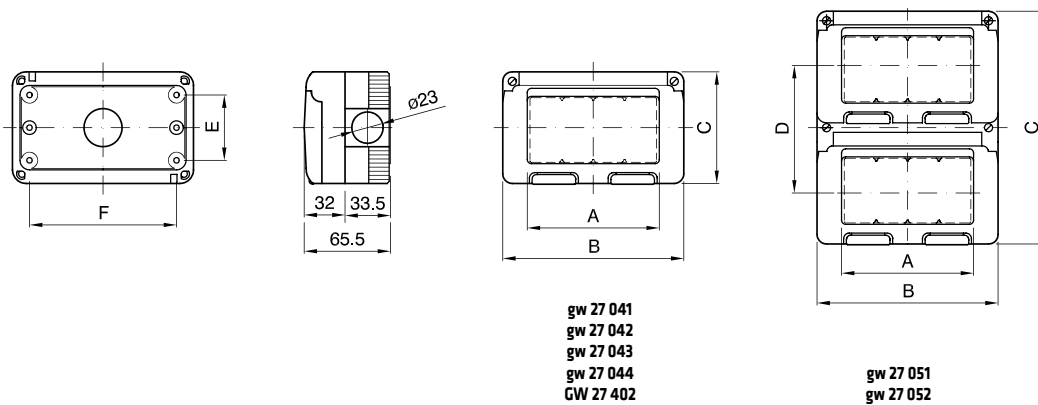
Dimension tables

COMBI SYSTEM 40



Code	GW 27 001	GW 27 002	GW 27 003	GW 27 004	GW 27 005	GW 27 006	GW 27 007	GW 27 008	GW 27 021	GW 27 022	GW 27 023	GW 27 024
A	1 SYSTEM MODULE	2 SYSTEM MODULES	3 SYSTEM MODULES	4 SYSTEM MODULES	6 (3 MOD. x 2) HORIZONTAL	8 (4 MOD. x 2) HORIZONTAL	12 (4 MOD. x 3) HORIZONTAL	16 (4 MOD. x 4) HORIZONTAL	4 (2 MOD. x 2) VERTICAL	6 (2 MOD. x 3) VERTICAL	8 (4 MOD. x 2) VERTICAL	12 (4 MOD. x 3) VERTICAL
B	66	66	99	132	198	231	330	429	82	82	132	132
C	82	82	82	82	82	82	82	82	132	198	132	198
D	-	-	-	-	1 STEP	1 STEP	2 STEPS	3 STEPS	1 STEP	2 STEPS	1 STEP	2 STEPS
E	44	44	75	110	175	208	307	406	48	48	110	110
F	48	48	48	48	48	48	48	48	110	175	98	175

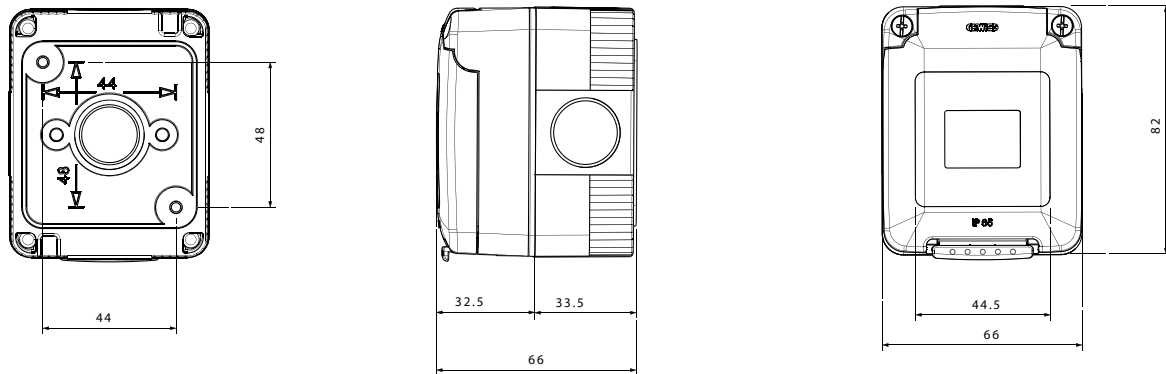
COMBI SYSTEM 55



Code	GW 27 041	GW 27 042	GW 27 043	GW 27 044	GW 27 051	GW 27 052	GW 27 402
A	1 SYSTEM MODULE	2 SYSTEM MODULE	3 SYSTEM MODULE	4 SYSTEM MODULE	8 (4 MOD. x 2) VERTICAL	12 (4 MOD. x 3) VERTICAL	JUNCTION BOX
B	66	66	99	132	132	132	132
C	82	82	82	82	170	258	82
D	-	-	-	-	N. 1 PASSO	N. 2 PASSI	-
E	48	48	48	48	136	224	48
F	44	44	75	110	110	110	110

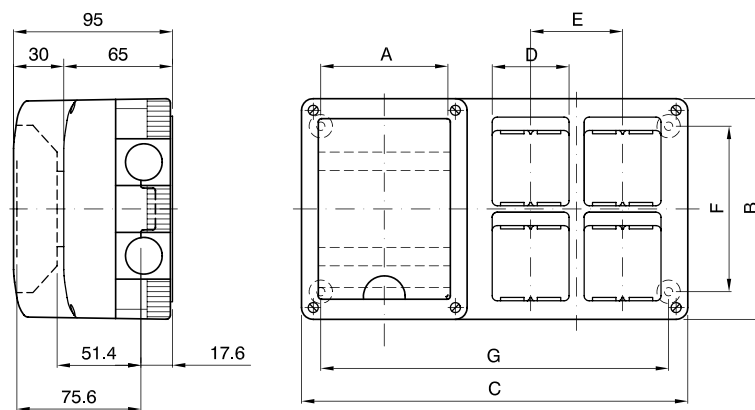
27 Combi

COMBI SYSTEM 65



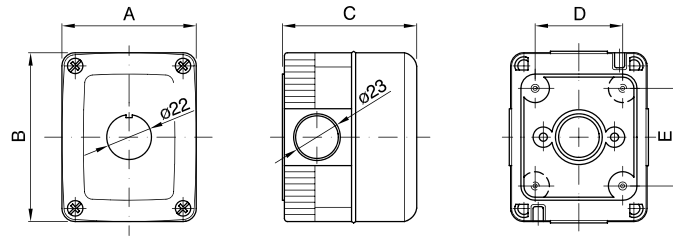
GW 27 062

COMBI DIN



Code	GW 27 071	GW 27 072	GW 27 073
A	2 DIN MOD.	4 DIN MOD.	8 DIN MOD.
B	132	132	132
C	132	231	429
D	4 (2 MOD. x 2)	8 (2 MOD. x 4)	16 (4 MOD. x 4)
E	-	1STEP	1STEP
F	98	98	98
G	110	209	407

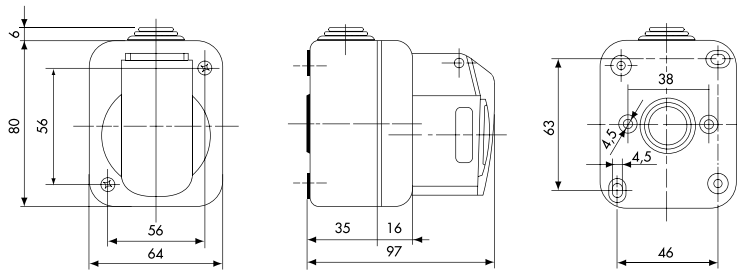
COMBI 22



Code	No. gangs	A	B	C	D	E	No. knockouts
GW 27 101 GW 27 111	1	66	82	65	44	48	4
GW 27 102	2	132	85		48	110	8
GW 27 103	3	66	171		44	137	6
GW 27 104	6	132	171		110		10
GW 27 105	12	264	171		210		10

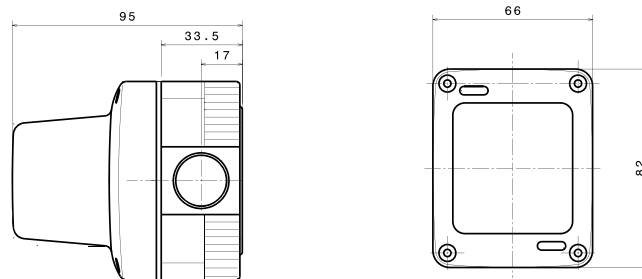
Complete devices

SURFACE-MOUNTING INDUSTRIAL SOCKET-OUTLETS TO IEC309 STANDARD - GREY RAL 7035 - IP44



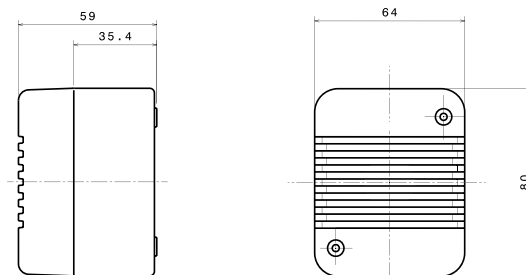
GW 26 222 - GW 26 223

INDICATOR LAMPS MAX 15W AND ELECTRONIC FLASHLIGHTS MAX 25W - GREY RAL 7035 - IP55



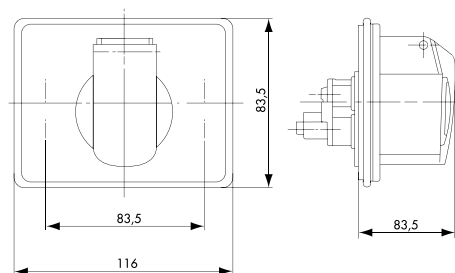
GW 27 415 - GW 27 416 - GW 27 417 - GW 27 418 - GW 27 419
GW 27 421 - GW 27 422 - GW 27 423 - GW 27 424

SIGNAL BUZZERS - GREY RAL7035 - IP40



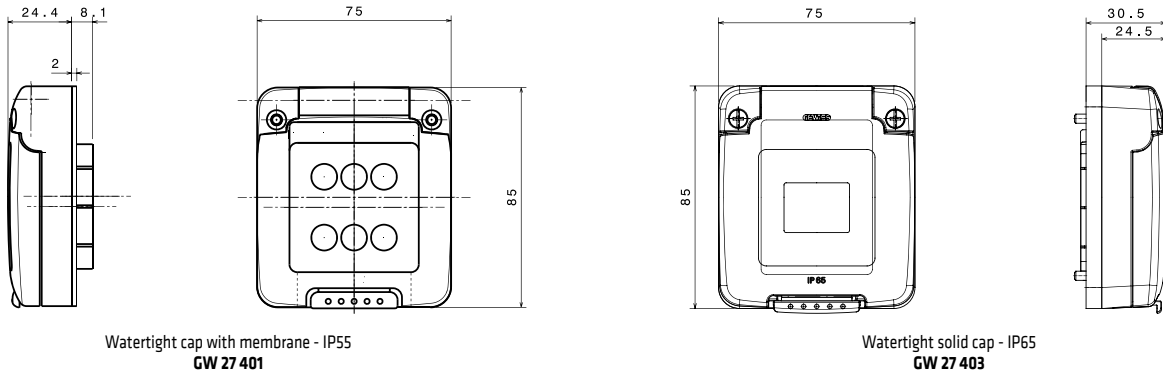
GW 26 417 - GW 26 427

INDUSTRIAL SOCKET-OUTLETS TO IEC309 STANDARD, FOR INSTALLATION IN FLUSH-MOUNTING RECTANGULAR BOX GW 24 403 - GREY RAL 7035 - IP44



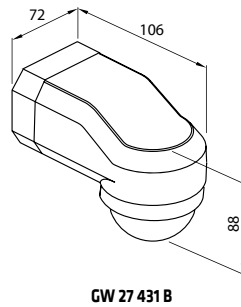
GW 26 420 - GW 26 421

SYSTEM 2 GANG WATERTIGHT CAPS FOR APPLICATIONS ON Q-DIN BOARDS, PTC JUNCTION BOXES, FLANGED COVERS OF THE 66 AND Q-BOX RANGES, AND PANELS - GREY RAL 7035 - IP55



DOMESTIC RANGES

DIRECTIONAL INFRARED MOTION DETECTOR WITH TWILIGHT SENSOR 230V 50Hz- GREY RAL 7035 - IP55



LIGHT-SENSITIVE DETECTOR WITH RELAY OUTPUT - 230V 50Hz - IP65

