

27 Combi



WALL-MOUNTING CONTAINERS



The 27 Combi range: tailored protection for every system: a complete and versatile range of modular enclosures, perfectly integrable in the System domestic range, with a degree of protection of IP40, IP55 and IP65, according to the type of application required.

COMBI IP40: SAFETY AND VERSATILITY



The modular containers are extremely easy to install, thanks to the possibility to make installations combining different enclosures for custom-made configurations and to the considerable wiring space inside which can be divided using the special functional elements.

COMBI IP55: ERGONOMICS AND PROTECTION



The special transparent membrane with notches makes it easy to identify the button keys by simply touching them. The door clicks open simply by pressing it near the top. The perfect watertight protection rating is ensured by the door closing system and the sealing gasket couplings.

DOMESTIC RANGES

General characteristics

REFERENCE STANDARDS AND TECHNICAL DATA

| Products | Reference Standards | IP degree of protection | Protection against indirect contacts | Installation temperature | | Thermo-pressure with ball | Glow Wire Test |
|---|----------------------------|-------------------------|--------------------------------------|--------------------------|---------|---------------------------|----------------|
| | | | | Minimum | Maximum | | |
| COMBI SYSTEM enclosures | EN 60670-1 | IP 40 - IP 55 | ☐ | -25°C | +60°C | 70°C | 650°C |
| COMBI 22 enclosures | EN 60670-22 | IP 66 | ☐ | | | 70°C | 650°C |
| Garden enclosures | EN 60670-1 | IP 55 | ☐ | | | 70°C | 650°C |
| COMBI DIN enclosures | EN 60670-1 IEC 60670-24 | IP 40 | ☐ | | | 70°C | 650°C |
| Enclosures for mini-trunking and trunking | EN 50085-2-1 | IP40 | ☐ | -5°C | | 70°C | 650°C |

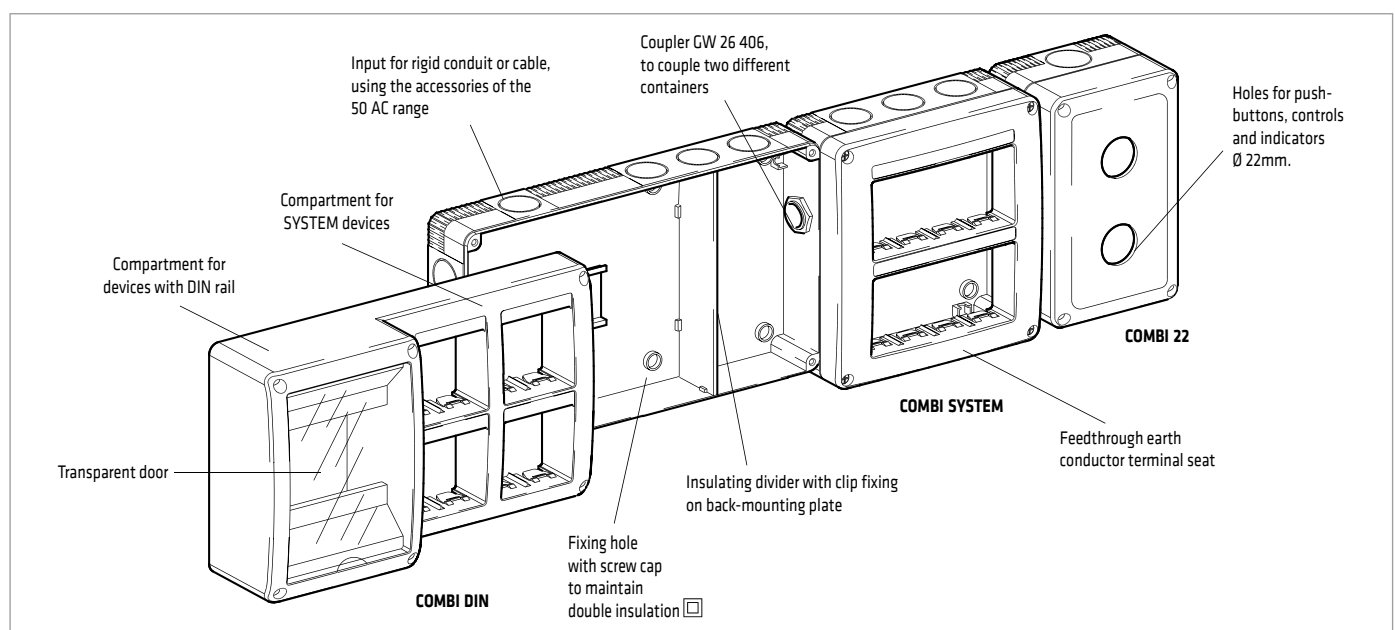
* The Standard references above refer to unwired shells.
The shells supplied complete with devices meet the respective product norms.

BEHAVIOUR WITH CHEMICAL AND ATMOSPHERIC AGENTS

| Agent | Water | Saline solution | Acids | | Bases | | Solvents | | | | Mineral oil | UV rays |
|-------------|-----------|-----------------|--------------------|-----------|--------------|-----------|--------------------|---------------|---------------|---------------|--------------------|-----------|
| | | | Concentrated | Diluted | Concentrated | Diluted | Hexane | Benzol | Acetone | Ethyl alcohol | | |
| Resistance* | Resistant | Resistant | Limited resistance | Resistant | Resistant | Resistant | Limited resistance | Not resistant | Not resistant | Not resistant | Limited resistance | Resistant |

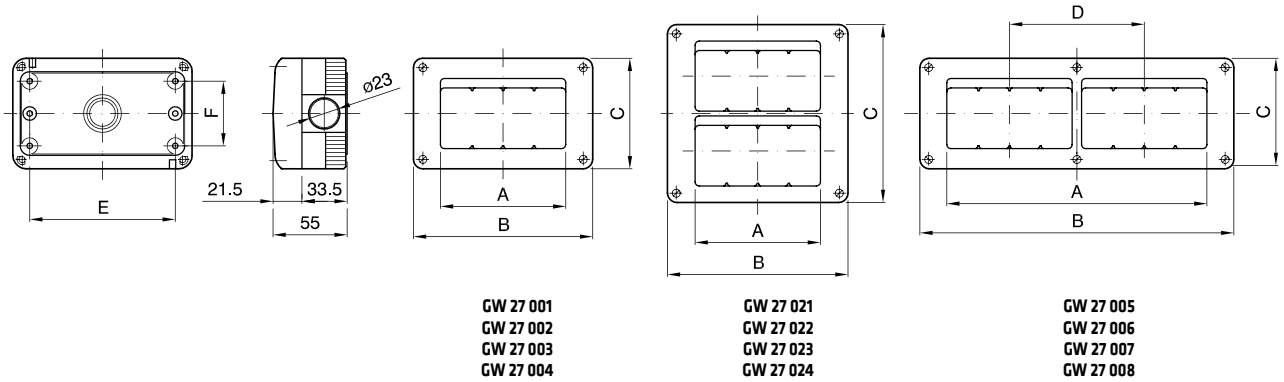
* The resistance values given are valid for an ambient temperature no higher than 40°C.

Construction characteristics



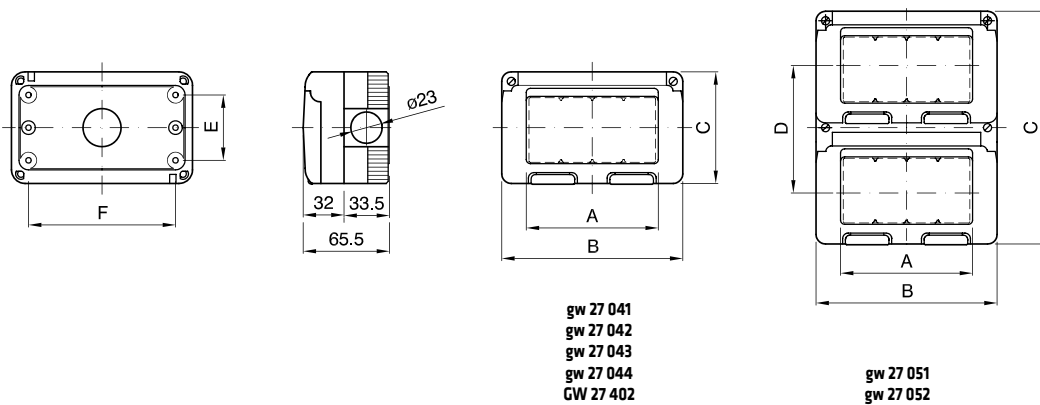
Dimension tables

COMBI SYSTEM 40



| Code | GW 27 001 | GW 27 002 | GW 27 003 | GW 27 004 | GW 27 005 | GW 27 006 | GW 27 007 | GW 27 008 | GW 27 021 | GW 27 022 | GW 27 023 | GW 27 024 |
|------|-----------------|------------------|------------------|------------------|---------------------------|---------------------------|----------------------------|----------------------------|-------------------------|-------------------------|-------------------------|--------------------------|
| A | 1 SYSTEM MODULE | 2 SYSTEM MODULES | 3 SYSTEM MODULES | 4 SYSTEM MODULES | 6 (3 MOD. x 2) HORIZONTAL | 8 (4 MOD. x 2) HORIZONTAL | 12 (4 MOD. x 3) HORIZONTAL | 16 (4 MOD. x 4) HORIZONTAL | 4 (2 MOD. x 2) VERTICAL | 6 (2 MOD. x 3) VERTICAL | 8 (4 MOD. x 2) VERTICAL | 12 (4 MOD. x 3) VERTICAL |
| B | 66 | 66 | 99 | 132 | 198 | 231 | 330 | 429 | 82 | 82 | 132 | 132 |
| C | 82 | 82 | 82 | 82 | 82 | 82 | 82 | 82 | 132 | 198 | 132 | 198 |
| D | - | - | - | - | 1 STEP | 1 STEP | 2 STEPS | 3 STEPS | 1 STEP | 2 STEPS | 1 STEP | 2 STEPS |
| E | 44 | 44 | 75 | 110 | 175 | 208 | 307 | 406 | 48 | 48 | 110 | 110 |
| F | 48 | 48 | 48 | 48 | 48 | 48 | 48 | 48 | 110 | 175 | 98 | 175 |

COMBI SYSTEM 55

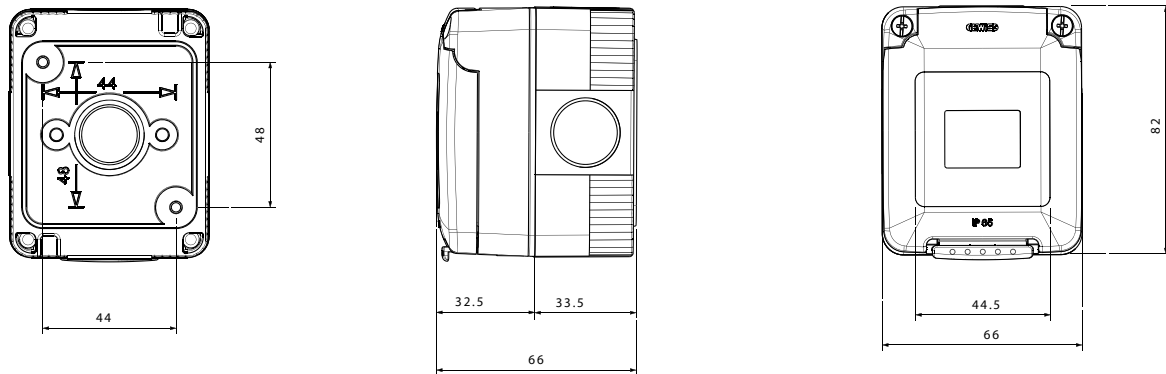


| Code | GW 27 041 | GW 27 042 | GW 27 043 | GW 27 044 | GW 27 051 | GW 27 052 | GW 27 402 |
|------|-----------------|-----------------|-----------------|-----------------|-------------------------|--------------------------|--------------|
| A | 1 SYSTEM MODULE | 2 SYSTEM MODULE | 3 SYSTEM MODULE | 4 SYSTEM MODULE | 8 (4 MOD. x 2) VERTICAL | 12 (4 MOD. x 3) VERTICAL | JUNCTION BOX |
| B | 66 | 66 | 99 | 132 | 132 | 132 | 132 |
| C | 82 | 82 | 82 | 82 | 170 | 258 | 82 |
| D | - | - | - | - | N. 1 PASSO | N. 2 PASSI | - |
| E | 48 | 48 | 48 | 48 | 136 | 224 | 48 |
| F | 44 | 44 | 75 | 110 | 110 | 110 | 110 |

DOMESTIC RANGES

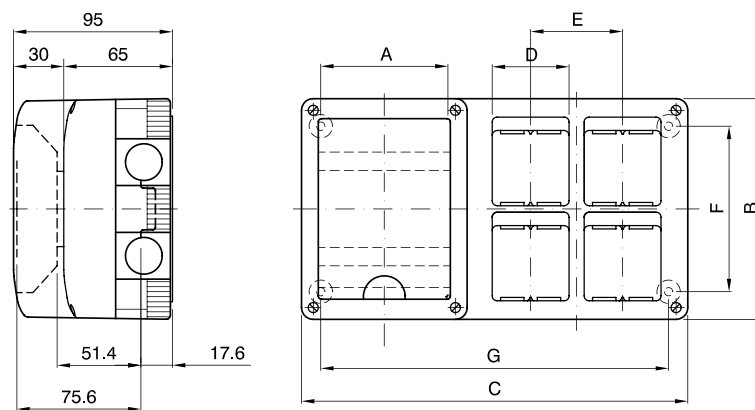
27 Combi

COMBI SYSTEM 65



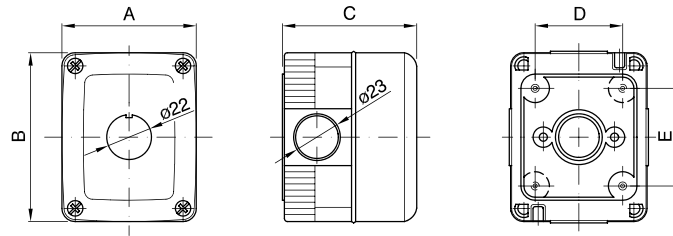
GW 27 062

COMBI DIN



| Code | GW 27 071 | GW 27 072 | GW 27 073 |
|------|-------------------|-------------------|--------------------|
| A | 2 DIN MOD. | 4 DIN MOD. | 8 DIN MOD. |
| B | 132 | 132 | 132 |
| C | 132 | 231 | 429 |
| D | 4 (2 MOD. x 2) | 8 (2 MOD. x 4) | 16 (4 MOD. x 4) |
| E | - | 1STEP | 1STEP |
| F | 98 | 98 | 98 |
| G | 110 | 209 | 407 |

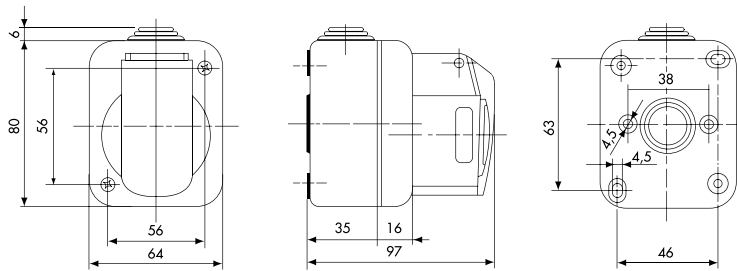
COMBI 22



| Code | No. gangs | A | B | C | D | E | No. knockouts |
|------------------------|-----------|-----|-----|----|-----|-----|---------------|
| GW 27 101 GW 27 111 | 1 | 66 | 82 | 65 | 44 | 48 | 4 |
| GW 27 102 | 2 | 132 | 85 | | 48 | 110 | 8 |
| GW 27 103 | 3 | 66 | 171 | | 44 | 137 | 6 |
| GW 27 104 | 6 | 132 | 171 | | 110 | | 10 |
| GW 27 105 | 12 | 264 | 171 | | 210 | | 10 |

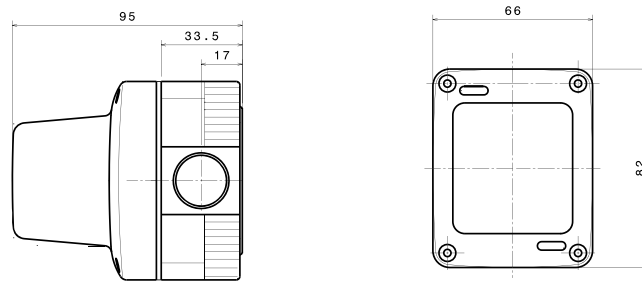
Complete devices

SURFACE-MOUNTING INDUSTRIAL SOCKET-OUTLETS TO IEC309 STANDARD - GREY RAL 7035 - IP44



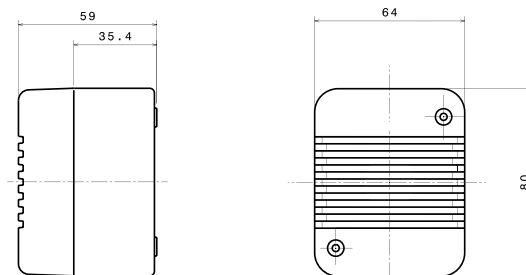
GW 26 222 - GW 26 223

INDICATOR LAMPS MAX 15W AND ELECTRONIC FLASHLIGHTS MAX 25W - GREY RAL 7035 - IP55



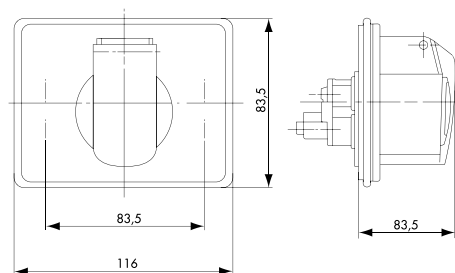
GW 27 415 - GW 27 416 - GW 27 417 - GW 27 418 - GW 27 419
GW 27 421 - GW 27 422 - GW 27 423 - GW 27 424

SIGNAL BUZZERS - GREY RAL7035 - IP40



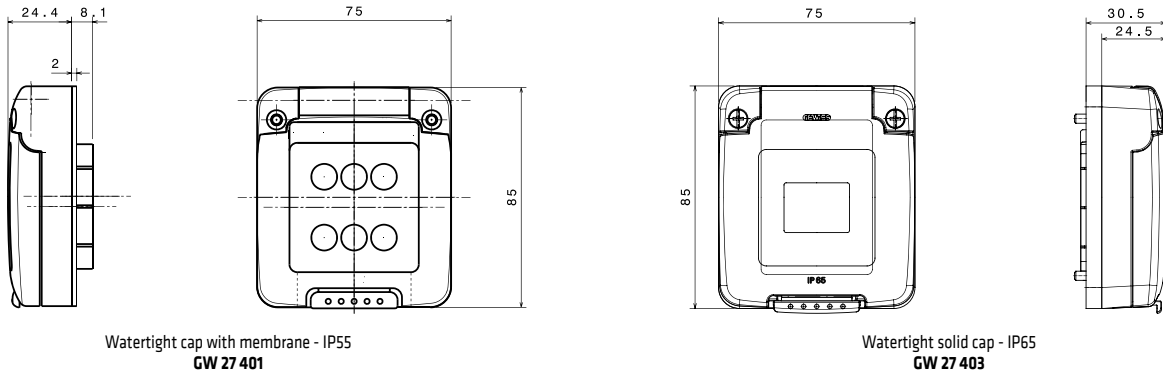
GW 26 417 - GW 26 427

INDUSTRIAL SOCKET-OUTLETS TO IEC309 STANDARD, FOR INSTALLATION IN FLUSH-MOUNTING RECTANGULAR BOX GW 24 403 - GREY RAL 7035 - IP44



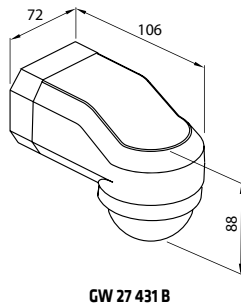
GW 26 420 - GW 26 421

SYSTEM 2 GANG WATERTIGHT CAPS FOR APPLICATIONS ON Q-DIN BOARDS, PTC JUNCTION BOXES, FLANGED COVERS OF THE 66 AND Q-BOX RANGES, AND PANELS - GREY RAL 7035 - IP55



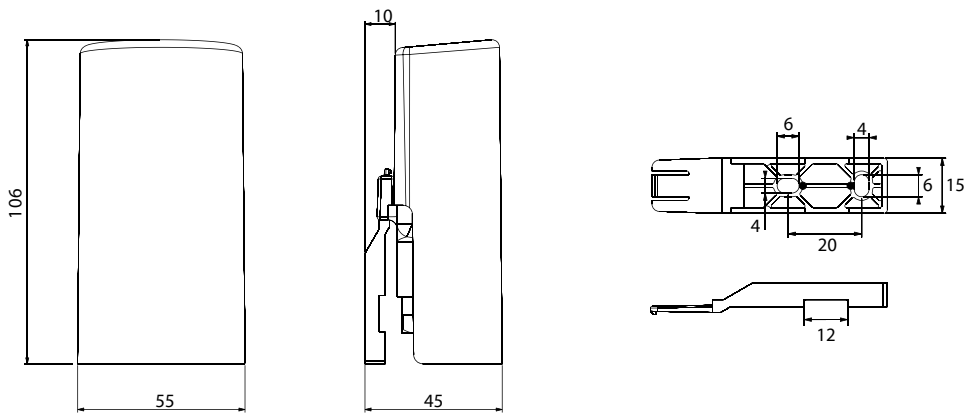
DOMESTIC RANGES

DIRECTIONAL INFRARED MOTION DETECTOR WITH TWILIGHT SENSOR 230V 50Hz- GREY RAL 7035 - IP55



GW 27 431 B

LIGHT-SENSITIVE DETECTOR WITH RELAY OUTPUT - 230V 50Hz - IP65



GW 27 432