

Green Wall



SAFE, VERSATILE FIXING



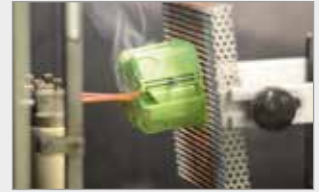
The fastening tabs on the containers allow fixing on the metal frame or on the sheet. The clamps of the boxes for domestic ranges allow installation on sheets. The fixing holes instead allow surface-mounting in the event of renovation.

SIMPLE AND INNOVATIVE



The 24 SC GREEN WALL range has been completely renewed: the particular knock-out geometry allows a practical insertion of the pipe, which is held firmly in the seat. The "L" profile allows the rotation of the pipe in a vertical position inside its seat.

HIGH QUALITY MATERIALS



The constant research in the field of plastics has permitted the use of materials with high mechanical resistance, Halogen-Free, able to pass the GWT 850°C Glow Wire Test, according to the specific product standard and the system standard CEI 64/8.

FIXING METHODS FOR GREEN WALL PRODUCTS

Articles	On metal frame	On sheet	On masonry wall
Enclosures and distribution boards	✓		
Junction boxes Boxes for interlocked socket-outlets 67IB and 44IB	✓	✓ (with tabs*)	✓
Boxes for domestic ranges - 3/4/6 gangs Boxes for round domestic ranges - 2 and 2+2 gangs		✓ (with clamps)	
Box for domestic ranges - 8 gangs (4+4) **	✓	✓ (with tabs*)	
Box for Master and Vision Master	✓	✓ (with tabs*)	

* Tabs on the sides of the horizontal walls. Boards (24, 36, 54, 72 modules) and box for interlocked socket-outlets (67 IB) equipped with fixing tabs on the sides of the vertical walls.

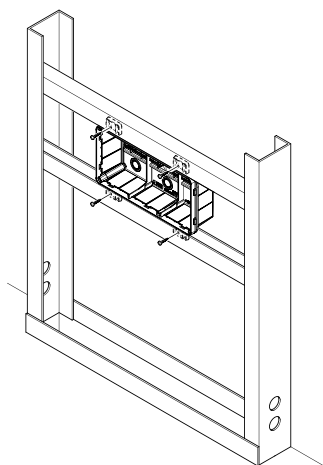
** Can also be used for the installation of command panels and video entryphones.

Fixing on a metal frame

The products can be fixed on a metal frame in two ways: for products with tabs on the sides of the horizontal walls, use an extra horizontal frame; for products with tabs on the sides of the vertical walls, use vertical uprights.

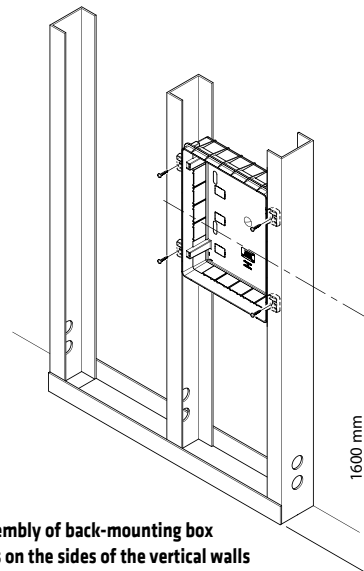
The structure is created with the aid of special screws for use with plasterboard, then the back-mounting box is fixed to the frame by means of the tabs.

E.g. assembly on a "U" rail profile (12 M enclosure)



Assembly of back-mounting box with tabs on the sides of the horizontal walls

E.g. assembly on a "C" upright profile (24 M board)



Assembly of back-mounting box with tabs on the sides of the vertical walls

24 SC GREEN WALL - FOR MODULAR RANGES, KNX DEVICES AND DIGITAL VISION

TECHNICAL CHARACTERISTICS

Regulation: IEC EN 60670-1 (CEI 23-48)

Degree of protection: IP 40

Installation temperature: max. +60°C, min. -15°C (min. -25°C for boxes with 3,4,6 gangs)

Material: GW PLAST technopolymer, halogen-free in accordance with EN 60754-2 (CEI EN 50267-2-2)

Impact resistance: IK 07

Heat resistance: thermo-pressure with ball 70°C

Resistance to abnormal heat and fire: Glow wire test 850°C

Installation: for mobile and plasterboard walls

Notes: H-type casing in compliance with EN60670-1, and Ha-type in compliance with IEC60670-1.

BEHAVIOUR WITH CHEMICAL AND ATMOSPHERIC AGENTS

	Saline solution	Acids		Bases		Solvents				Mineral oil	UV rays
		Concentrated	Diluted	Concentrated	Diluted	Hexane	Benzol	Acetone	Ethyl alcohol		
Boxes with 3, 4 and 6 gangs	Resistant	Not resistant	Not resistant	Limited resistance	Limited resistance	Not resistant	Not resistant	Not resistant	Limited resistance	Limited resistance	Limited resistance
Round boxes	Resistant	Not resistant	Not resistant	Limited resistance	Limited resistance	Not resistant	Not resistant	Not resistant	Limited resistance	Limited resistance	Limited resistance
Boxes (with fixing tabs)	Resistant	Not resistant	Not resistant	Limited resistance	Limited resistance	Not resistant	Not resistant	Not resistant	Limited resistance	Limited resistance	Limited resistance

Dimension tables

BOXES FOR MODULAR RANGES, KNX DEVICES AND DIGITAL VISION

