

COMMAND - SYSTEM BLACK

COMMAND DEVICES



GW 21 571

ONE-WAY SWITCHES - 250V AC

Code	Description	Button key	Symbol	Rated power of 230V LED lamps	No. SYSTEM modules	Pack Carton
GW 21 571	1P - 16AX	Neutral		200 W	1	80/320
GW 21 572	1P - 16 AX backlit	With replaceable neutral lens		200 W	1	30/60
GW 21 583	1P - 16AX illuminable	With replaceable neutral lens		200 W	1	30/60
GW 21 503	2P - 16 AX	Neutral	0/1	200 W	1	30/60
GW 21 504	2P - 16 AX backlit	With replaceable neutral lens		200 W	1	30/60
GW 21 584	2P - 16AX illuminable	With replaceable neutral lens		200 W	1	30/60
GW 21 005	2P - 10AX	With key	0/1	100 W	1	15/30

CHARACTERISTICS: the illuminable articles use miniature lamp units, not included.

ACCESSORIES SUPPLIED: GW21572, GW21504 - red fluorescent 230Vac (0.4W) signalling unit. GW21005 supplied with 2 keys. The key can be extracted in both positions. Spare keys: GW20901.



GW 21 585

ONE-WAY SWITCH 2P FOR HEAVY-DUTY INSTALLATIONS - 25A - 250V AC

Code	Description	Button key	Symbol	Rated power of 230V LED lamps	No. SYSTEM modules	Pack Carton
GW 21 585	25A	Neutral	0/1	250 W	1	15/30

CHARACTERISTICS: suitable for particular heavy-duty loads (e.g. set of fluorescent lamp) or high consumption devices (ovens, air-conditioners, boilers, etc.).



GW 21 576

TWO-WAY SWITCHES 1P - 250V AC

Code	Description	Button key	Rated power of 230V LED lamps	No. SYSTEM modules	Pack Carton
GW 21 576	1P - 16AX	Neutral	200 W	1	80/320
GW 21 577	1P - 16 AX backlit	With replaceable neutral lens	200 W	1	30/60
GW 21 588	1P - 16AX illuminable	With replaceable neutral lens	200 W	1	30/60
GW 21 008	1P - 10AX	With key	100 W	1	15/30

CHARACTERISTICS: the illuminable articles use miniature lamp units, not included.

ACCESSORIES SUPPLIED: GW21577 - red fluorescent 230Vac (0.4W) signalling unit. GW21008 supplied with 2 keys. The key can be extracted in both positions. Spare keys: GW20901.

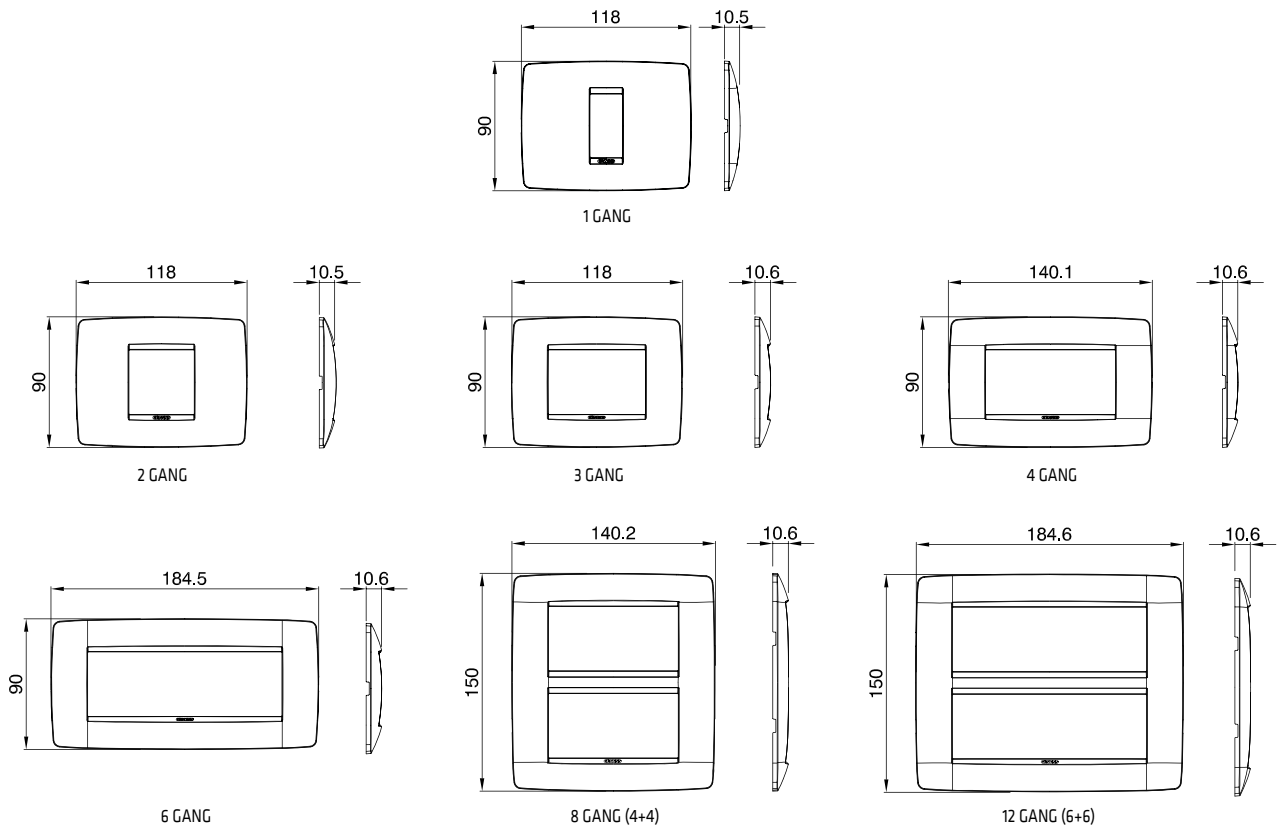


GW 21 579

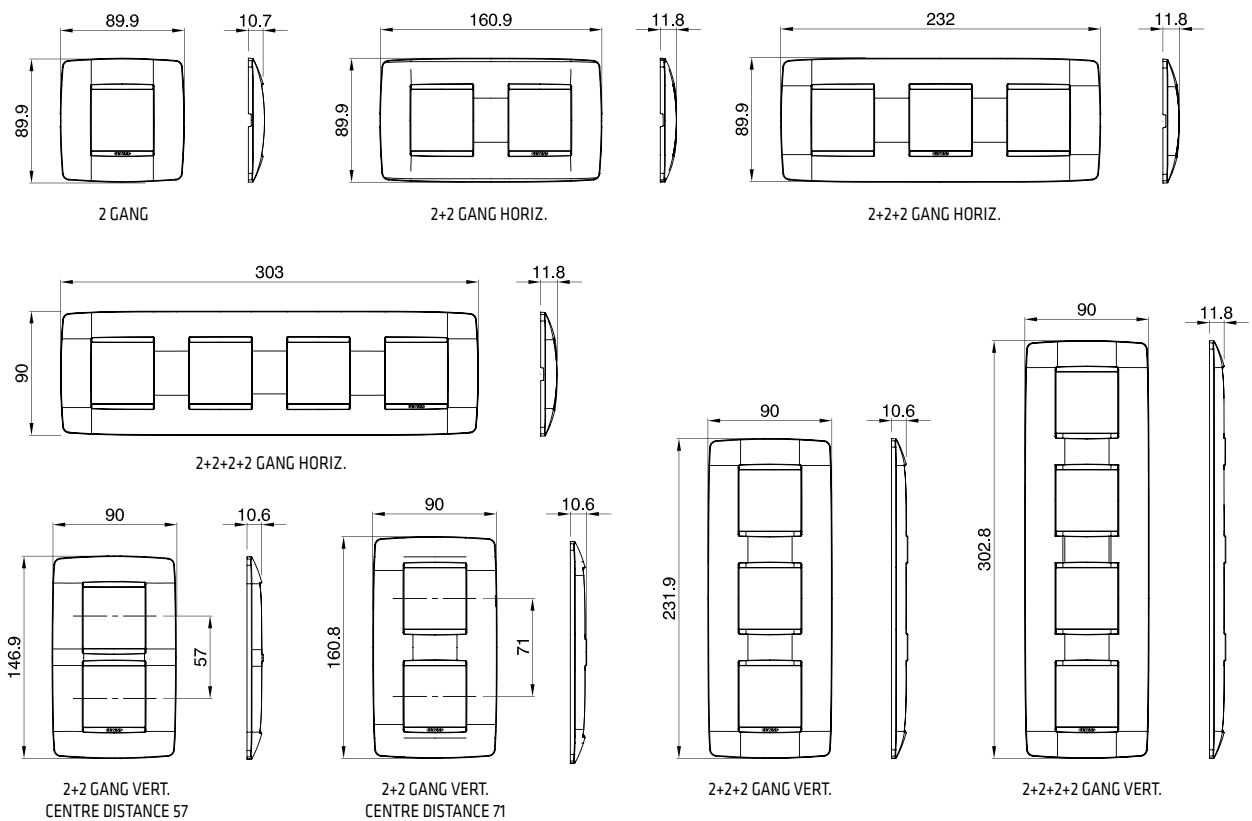
INTERMEDIATE SWITCHES 1P - 250V AC

Code	Description	Button key	Rated power of 230V LED lamps	No. SYSTEM modules	Pack Carton
GW 21 579	1P - 16AX	Neutral	200 W	1	30/60

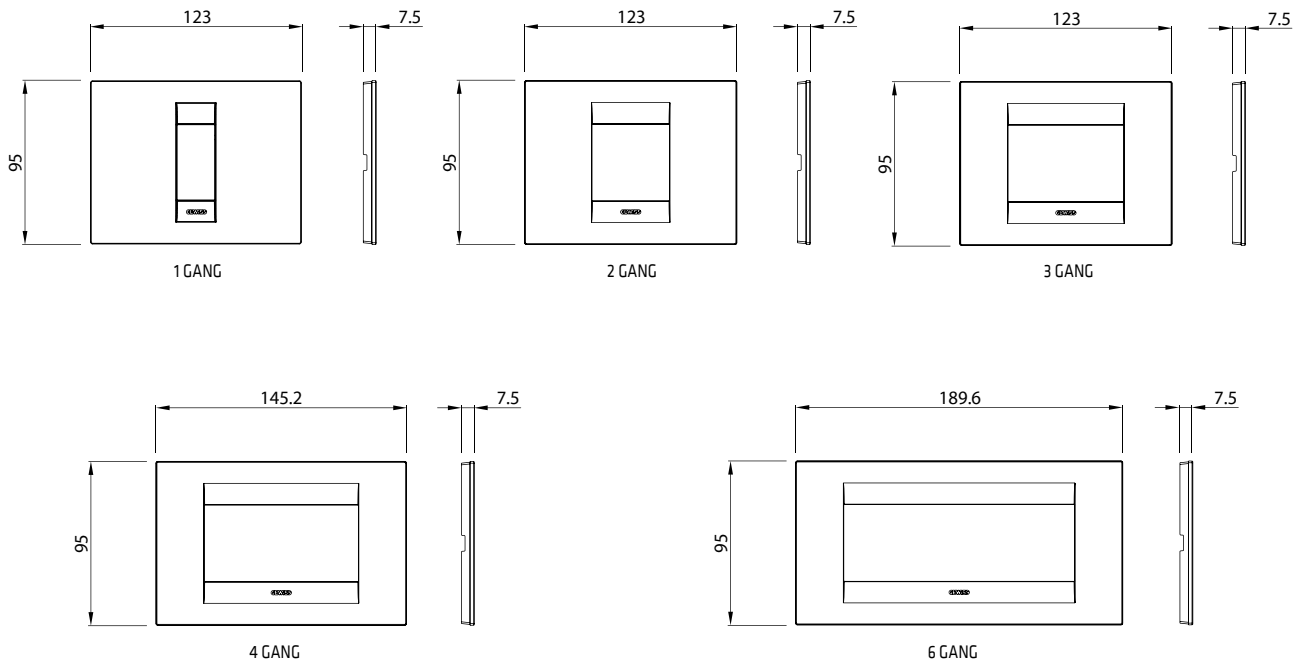
ONE PLATES



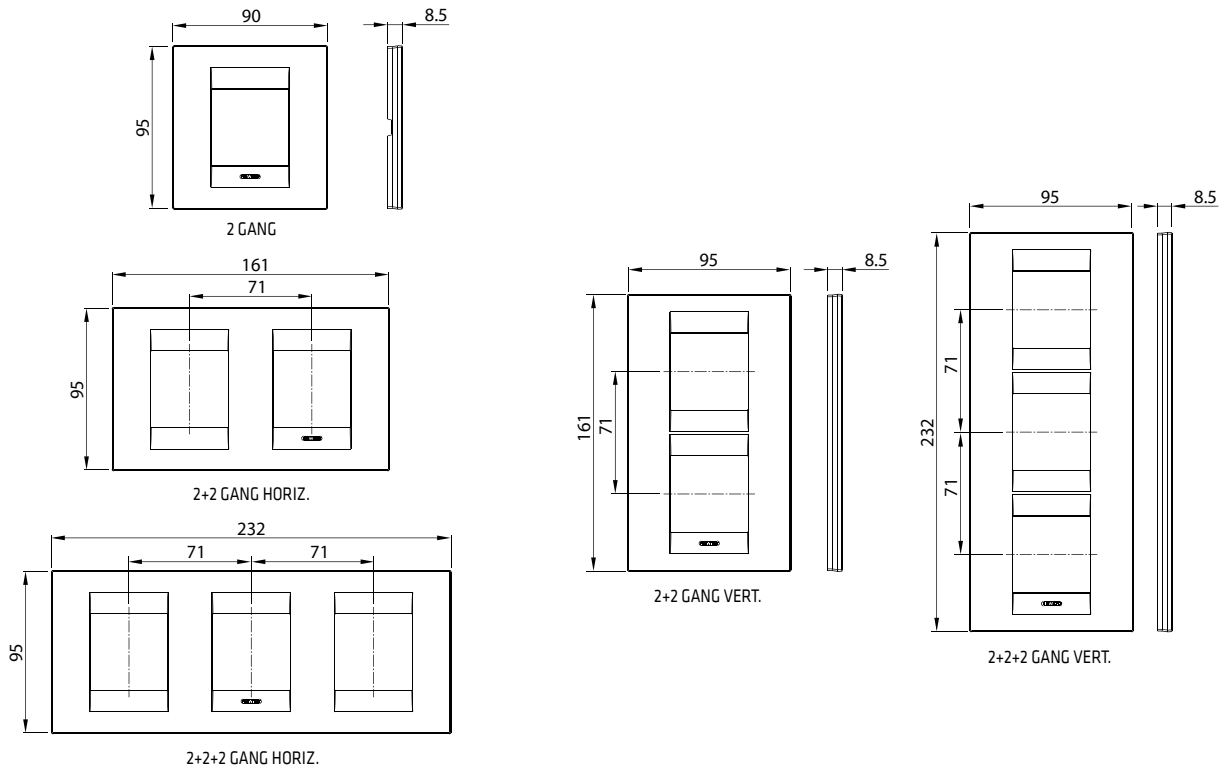
ONE INTERNATIONAL PLATES



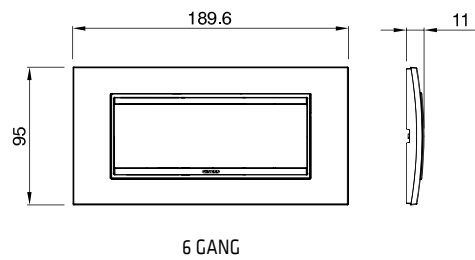
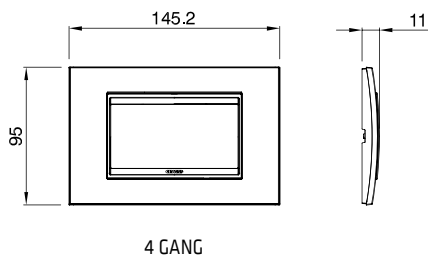
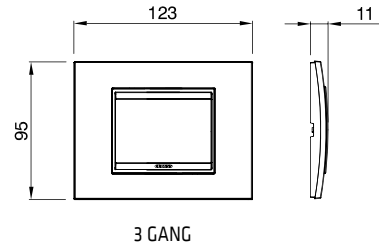
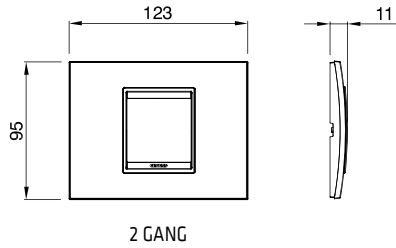
GEO PLATES



GEO INTERNATIONAL PLATES



LUX PLATES



DOMESTIC RANGES

LUX INTERNATIONAL PLATES

