

DATA - SYSTEM BLACK

TV-SAT SOCKETS



GW 21 391

COAXIAL TV-SAT SOCKETS (5-2400 MHZ) CLASS A SHIELDING - F FEMALE CONNECTOR

| Code | Description | Type | Attenuation | No. SYSTEM modules | Pack Carton |
|-----------|----------------------------|-------------------------|-------------|--------------------|-------------|
| GW 21 391 | Direct | With passage of current | 0 dB | 1 | 15/30 |
| GW 21 396 | Feedthrough | | 5 dB | 1 | 15/30 |
| GW 21 392 | Feedthrough | | 10 dB | 1 | 15/30 |
| GW 21 393 | Feedthrough | | 14 dB | 1 | 15/30 |
| GW 20 277 | Terminal resistance 75 ohm | | | | 50/200 |

CHARACTERISTICS: GW21391 permits carrying a remote power supply voltage/current and/or control signals towards the user port (max 24 V - 500 mA). GW20277 in combination with feedthrough socket-outlets allows you to make terminal socket-outlets.

APPLICATIONS: socket-outlets suitable for return channel.

NOTES: the TV-SAT 5dB GW21396 coaxial socket is defined with conditioned use. It is a special feedthrough socket and must be used as such, with the only difference being that the user port (socket towards the user device) must always be closed with a 75-Ohm load (TV, VCR, SAT receiver or 75-Ohm termination).



GW 21 381

COAXIAL TV SOCKETS (5-2400 MHZ) CLASS A SHIELDING - IEC MALE CONNECTOR Ø 9.5 MM

| Code | Description | Type | Attenuation | No. SYSTEM modules | Pack Carton |
|-----------|----------------------------|-------------------------|-------------|--------------------|-------------|
| GW 21 381 | Direct | With passage of current | 0 dB | 1 | 15/30 |
| GW 21 386 | Feedthrough | | 5 dB | 1 | 15/30 |
| GW 21 382 | Feedthrough | | 10 dB | 1 | 15/30 |
| GW 21 383 | Feedthrough | | 14 dB | 1 | 15/30 |
| GW 20 277 | Terminal resistance 75 ohm | | | | 50/200 |

CHARACTERISTICS: GW21381 permits carrying a remote power supply voltage/current and/or control signals towards the user port (max 24 V - 500 mA). GW20277 in combination with feedthrough socket-outlets allows you to make terminal socket-outlets.

APPLICATIONS: socket-outlets suitable for return channel.

NOTES: the TV 5dB GW21386 coaxial socket is defined with conditioned use. It is a special feedthrough socket and must be used as such, with the only difference being that the user port (socket towards the user device) must always be closed with a 75-Ohm load (TV, VCR, SAT receiver or 75-Ohm termination).



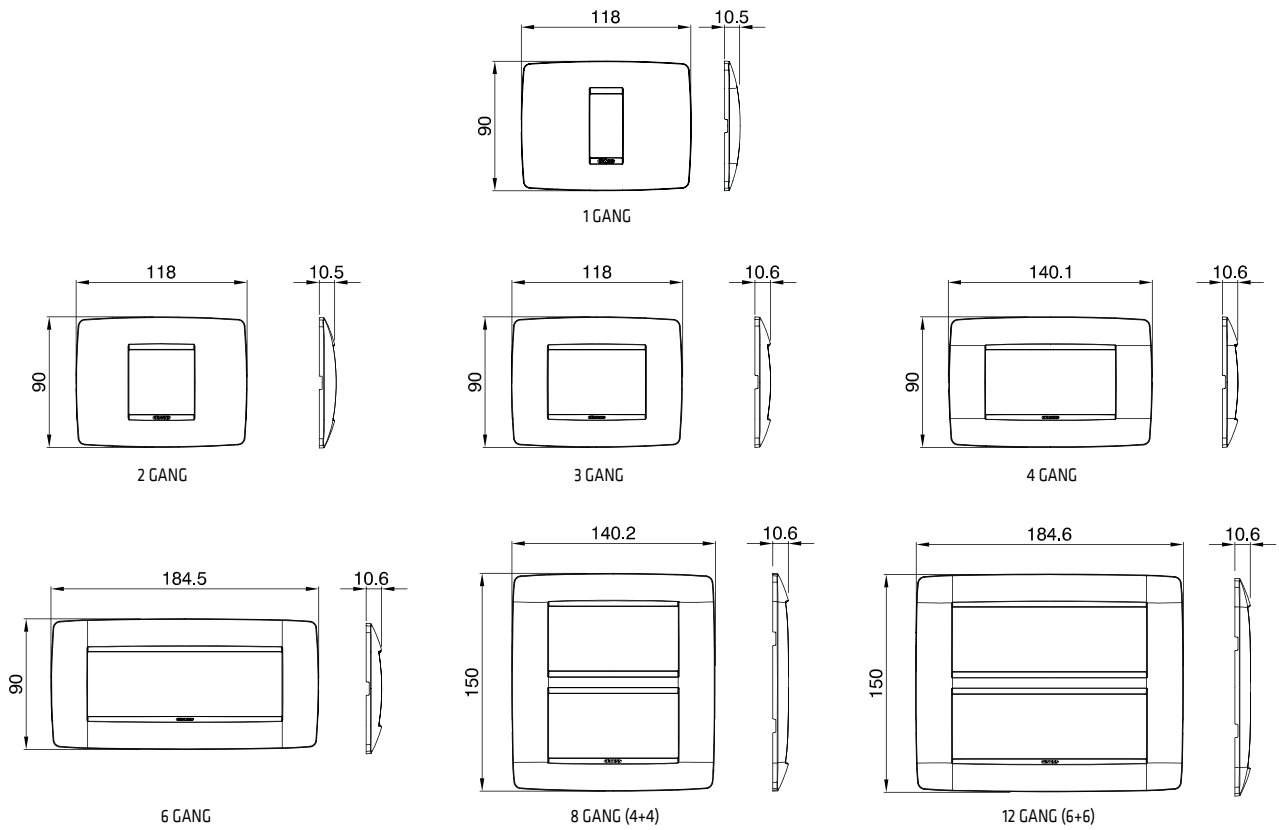
GW 21 228

COAXIAL TV RESISTIVE SOCKETS (40-860 MHZ) IEC FEMALE CONNECTOR Ø 9.5 MM

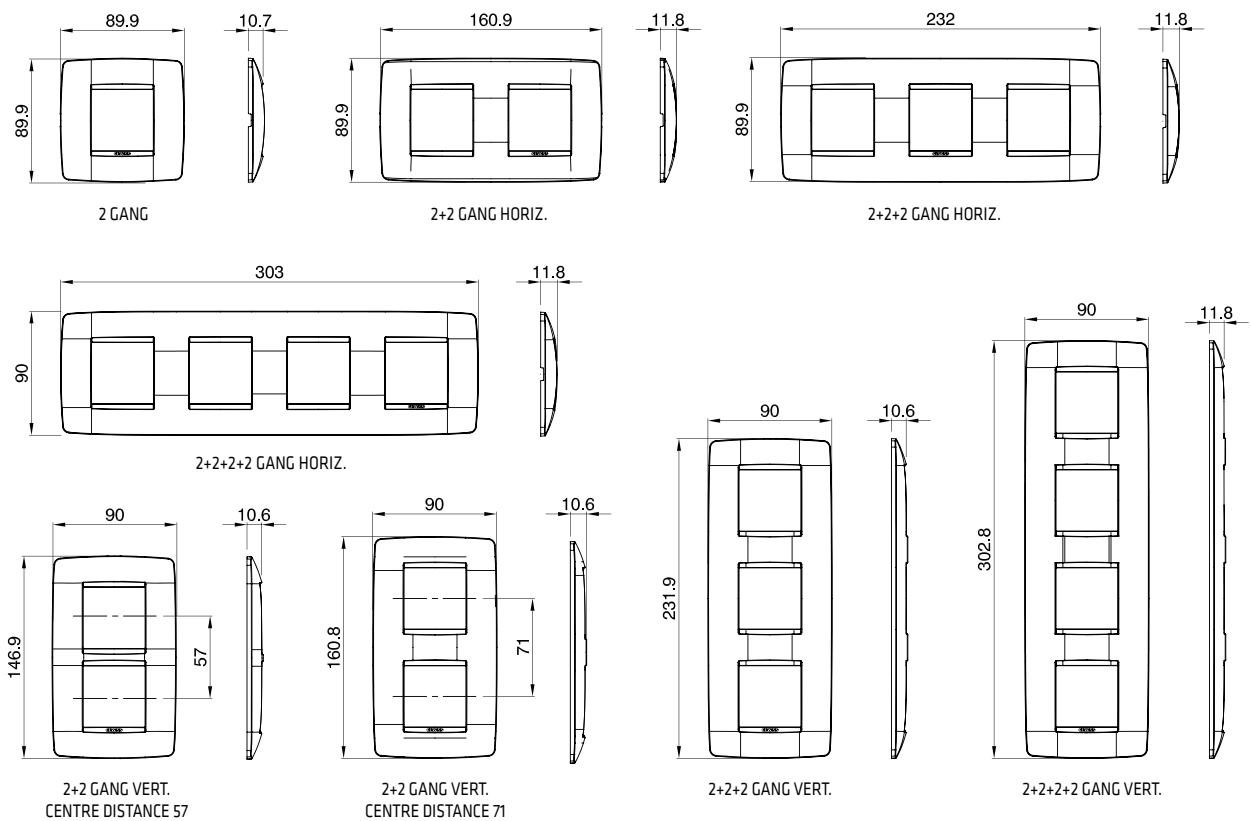
| Code | Description | Attenuation | No. SYSTEM modules | Pack Carton |
|-----------|---------------------|-------------|--------------------|-------------|
| GW 21 228 | Direct | 0 dB | 1 | 30/60 |
| GW 21 229 | Branched | 20 dB | 1 | 30/60 |
| GW 21 230 | Terminated - 75 ohm | 20 dB | 1 | 30/60 |

Items designated solely for export to a limited number of countries outside of the European Union or countries applying to become part of the European Free Trade Area. Contact Gewiss Customer Service to check the product meets the regulations of the country concerned before importing it.

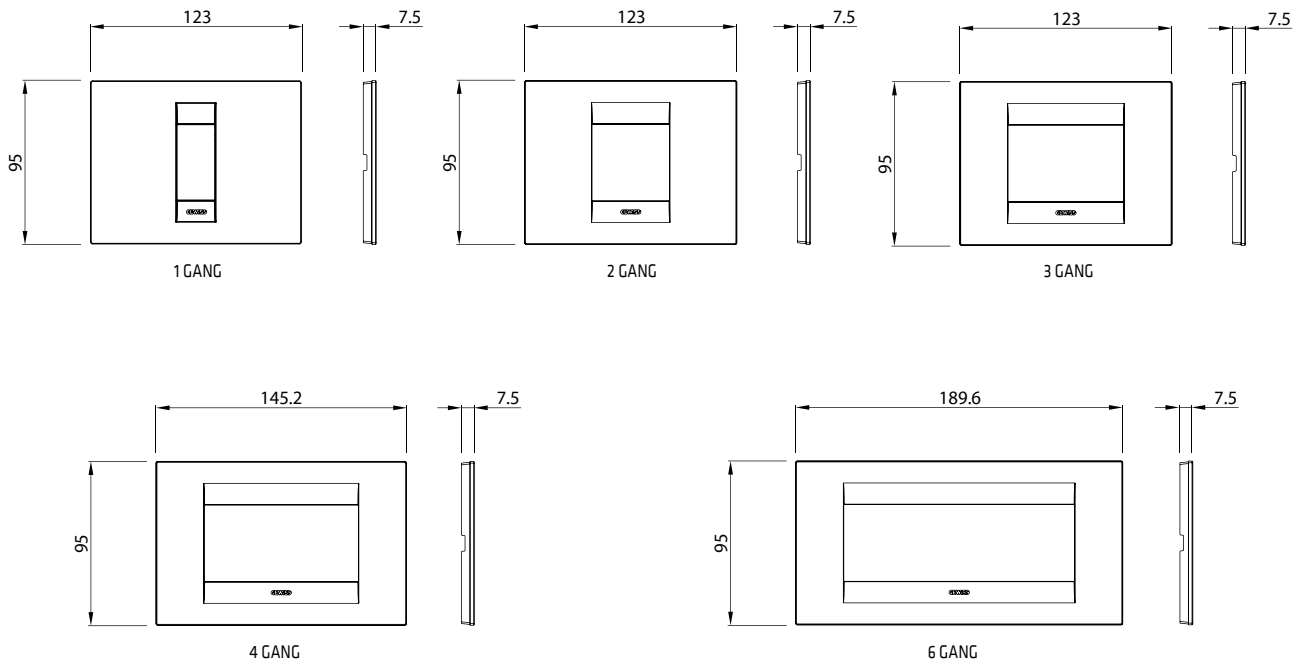
ONE PLATES



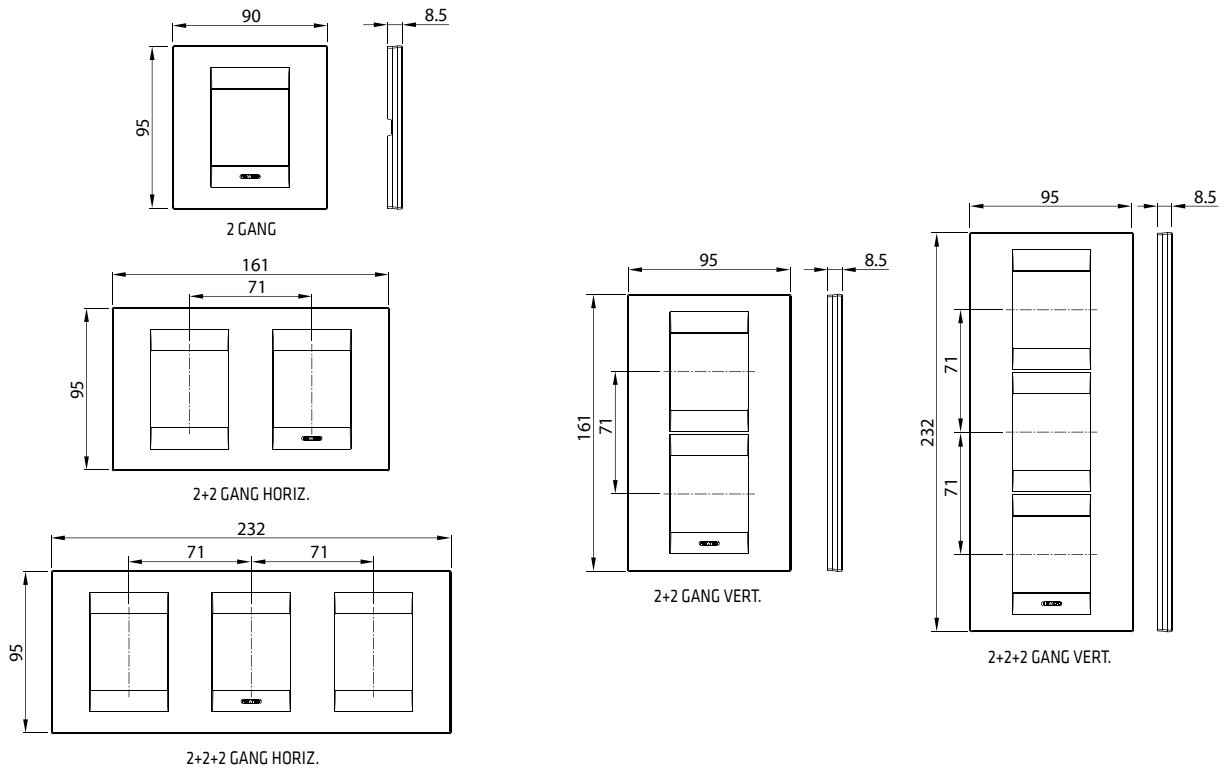
ONE INTERNATIONAL PLATES



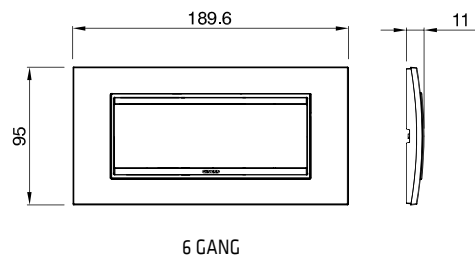
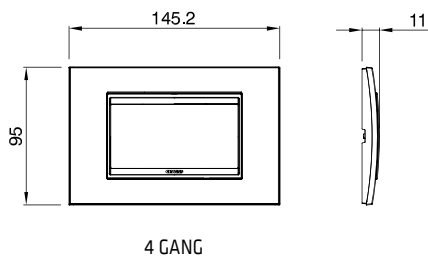
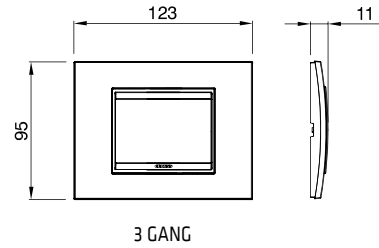
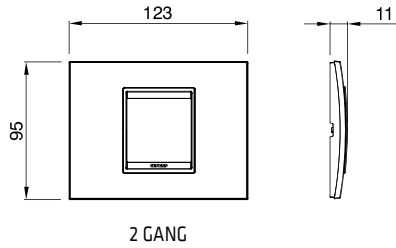
GEO PLATES



GEO INTERNATIONAL PLATES



LUX PLATES



DOMESTIC RANGES

LUX INTERNATIONAL PLATES

