

DATA SOCKETS



GW 21 686

RJ45 SOCKETS

Code	Description	No. pairs	Use category	Cables	Connection	No. SYSTEM modules	Pack Carton
GW 21 271	RJ45	4	5e	UTP	Toolless	1	15/30
GW 21 243	RJ45	4	5e	FTP	Toolless	1	15/30
GW 21 685	RJ45	4	6	UTP	Toolless	1	15/30
GW 21 684	RJ45	4	6	UTP	Toolless	1	1/15
GW 21 686	RJ45	4	6	FTP	Toolless	1	15/30

APPLICATIONS: LANs up to 100MHz (e.g. Ethernet, Token Ring networks) for cat. 5e. LANs up to 250MHz (e.g. Videoconference systems, CCTV) for cat. 6.

DOMESTIC RANGES



GW 21 266

ADAPTERS FOR HOUSING DATA CONNECTORS

Code	Compatibility	No. SYSTEM modules	Pack Carton
GW 21 266	IBM	1	1/120
GW 21 267	SYSTIMAX COMMSCOPE	1	1/120
GW 21 270	AMP / Keystone Jack	1	1/120

NOTES: with regard to the technological developments and dimensional variants introduced by connector manufacturers, you are advised to check in advance the full compatibility between the connector and the Gewiss adapter.

USB AND HDMI COUPLERS



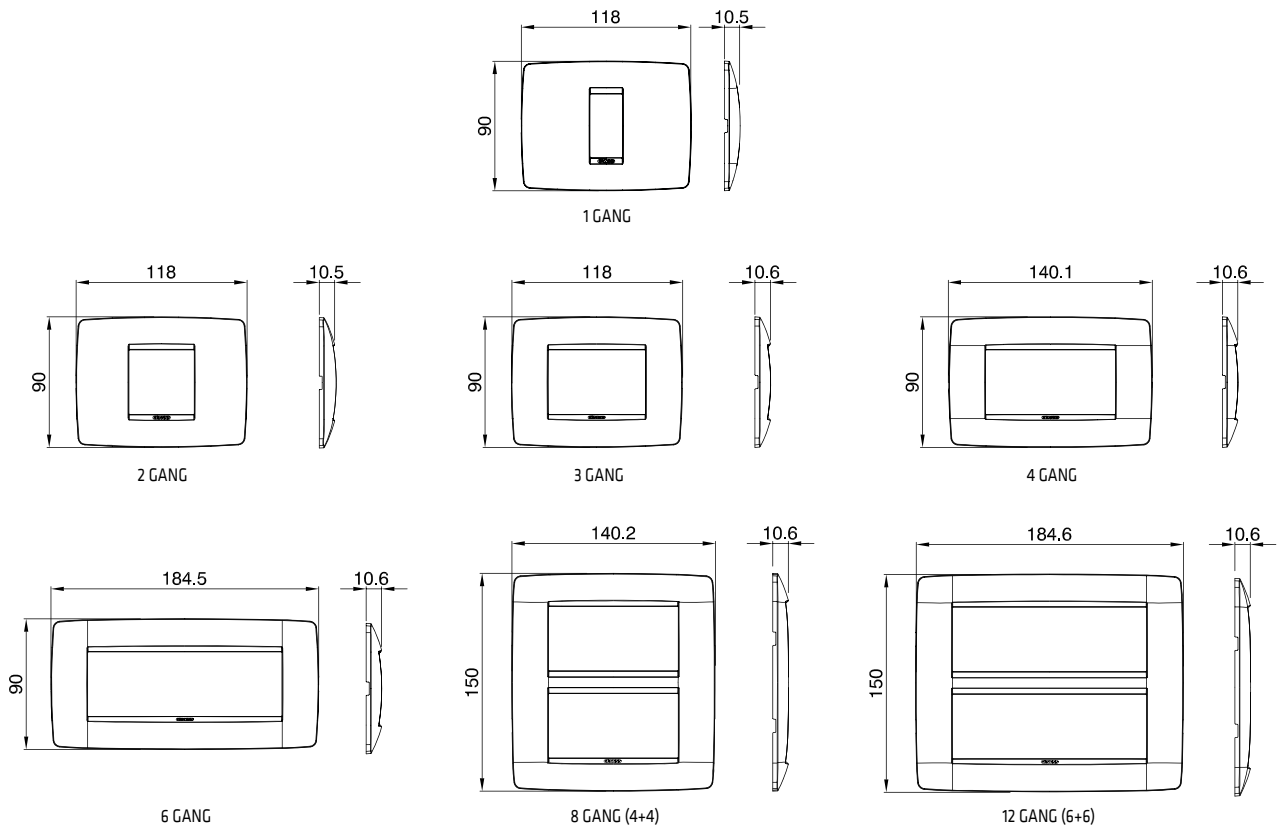
GW 38 056

USB AND HDMI COUPLERS

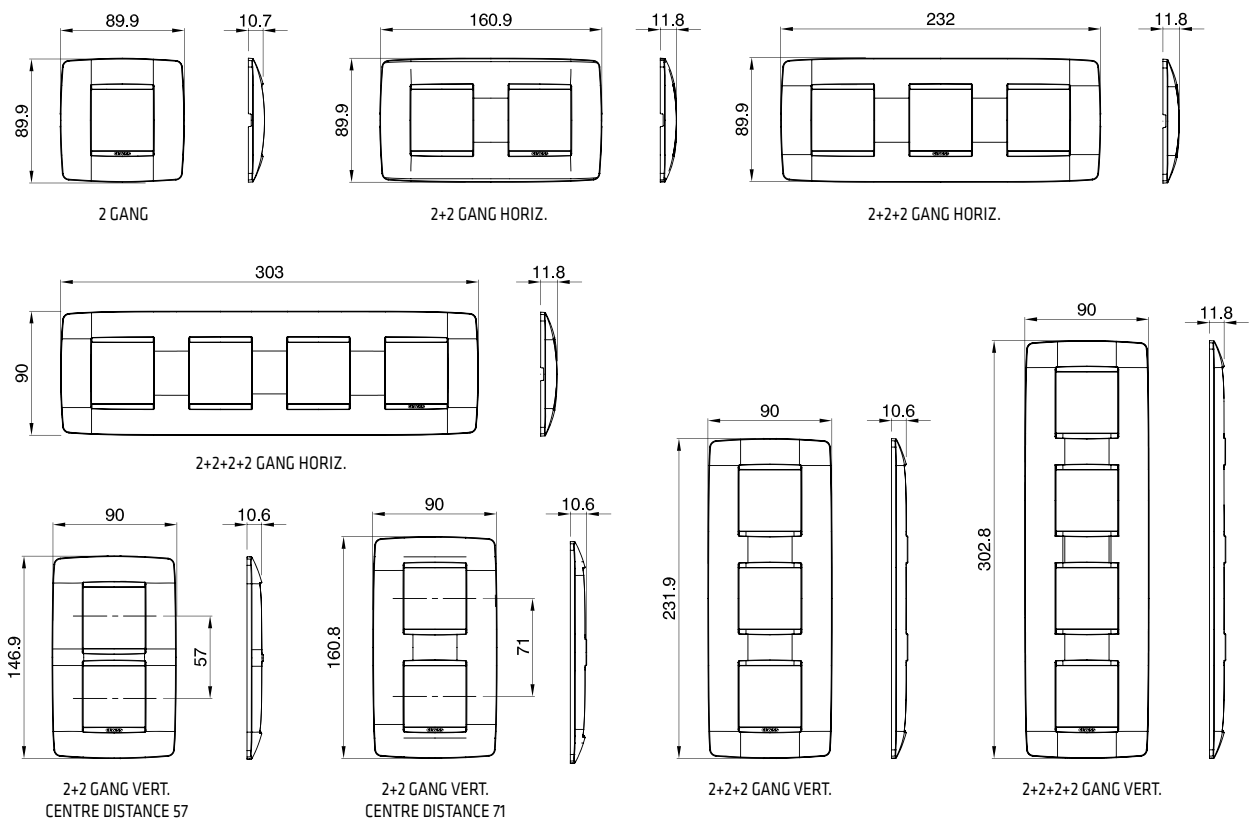
Code	Description	Type	Compatibility	Pack Carton
GW 38 056	HDMI coupler	Female/Female	Keystone Jack	1/48
GW 38 057	USB coupler	Female/Female - A type	Keystone Jack	1/48

NOTES: for adapters (Chorus, System, Playbus and Dahlia) with Keystone Jack coupling and for patch-panels.

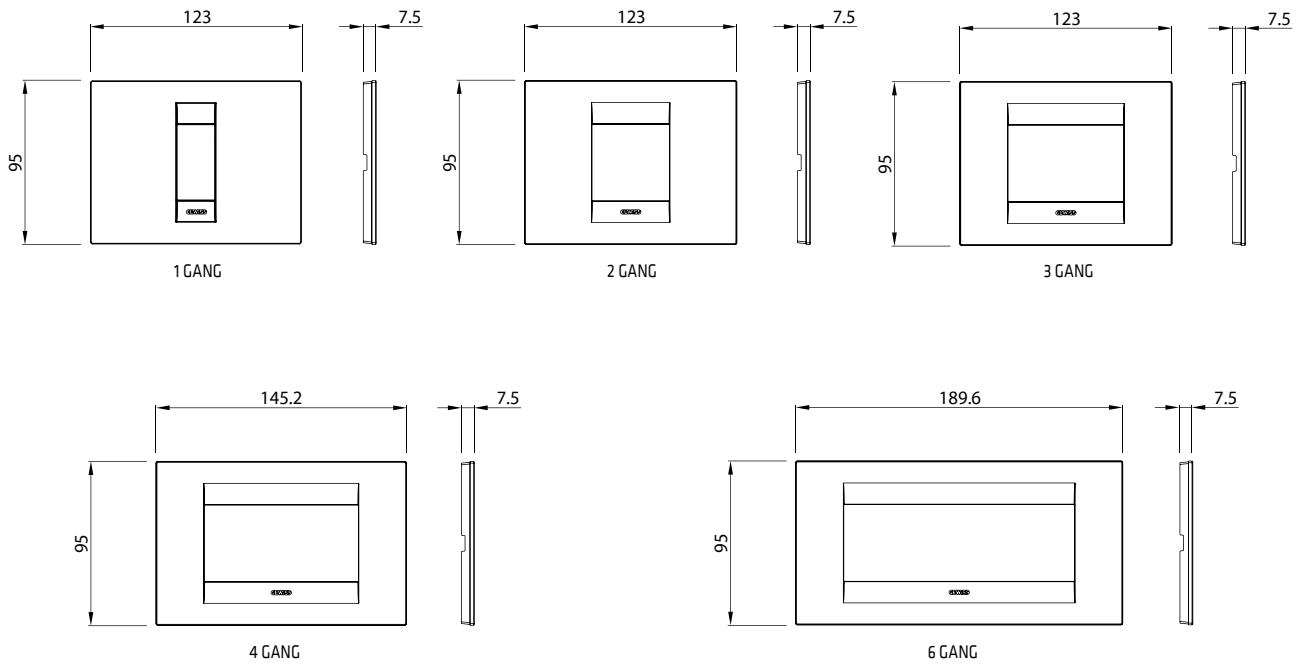
ONE PLATES



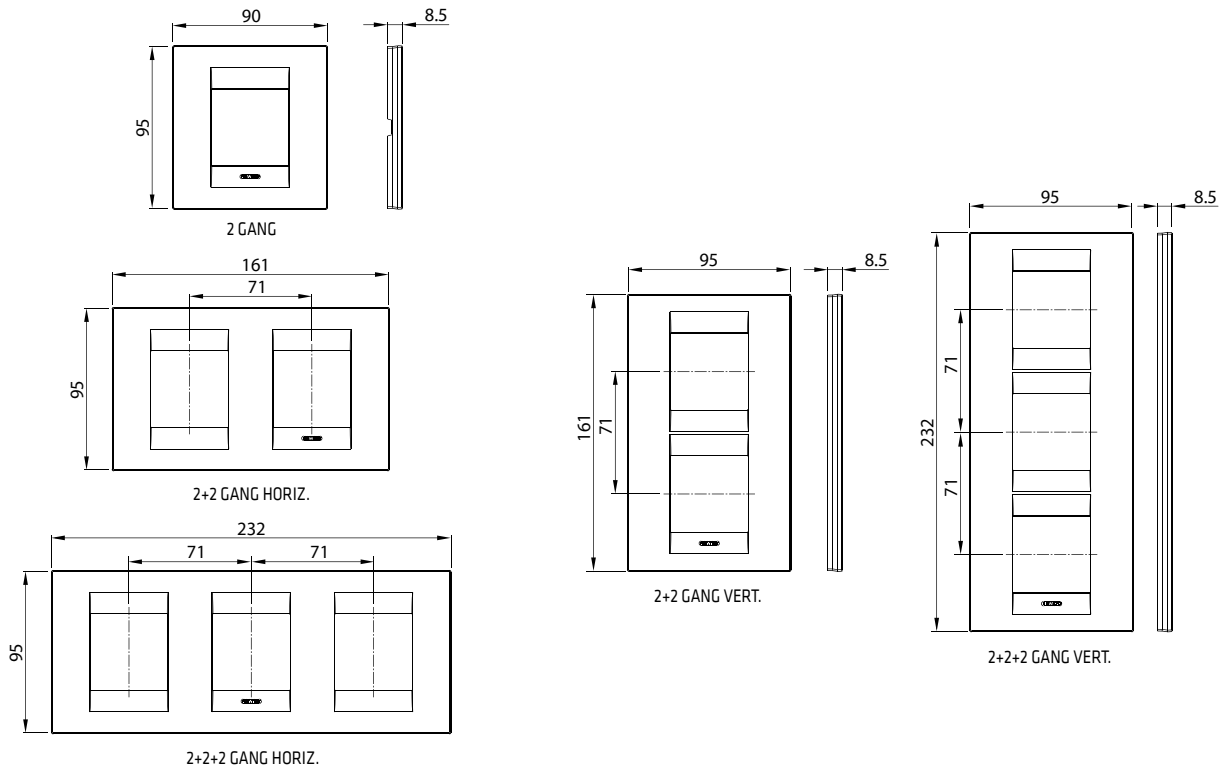
ONE INTERNATIONAL PLATES



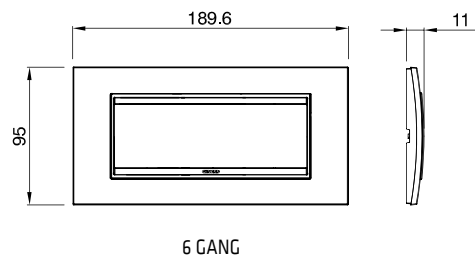
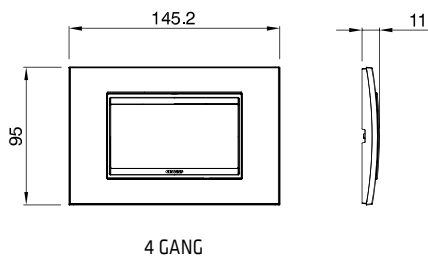
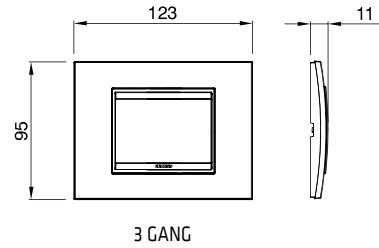
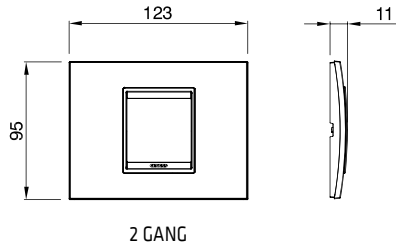
GEO PLATES



GEO INTERNATIONAL PLATES



LUX PLATES



DOMESTIC RANGES

LUX INTERNATIONAL PLATES

