



GW 21 559

THREE-WAY SWITCH 1P - 250V AC

Code	Description	Button key	Symbol	Rated power of 230V LED lamps	No. SYSTEM modules	Pack Carton
GW 21 559	1P - 10AX	Neutral	UP - DOWN	100 W	1	30/60
GW 21 528	1P - 10AX	With replaceable neutral lens		100 W	1	30/60

CHARACTERISTICS: three standing positions. Both contacts are open in the central position (OFF).

GW21528 - not-illuminated product; equipped with neutral lens.

APPLICATIONS: command of circuits requiring an interlock (e.g. operating motorised devices with direction reversal), 2-user selective control.



GW 21 510

PUSH-BUTTONS - 250V AC

Code	Description	Button key	Symbol	No. SYSTEM modules	Pack Carton
GW 21 510	1P NO - 10A	Neutral		1	80/160
GW 21 511	1P NO - 10A	With symbol	Key	1	15/30
GW 21 512	1P NO - 10A	With symbol	Bell	1	15/30
GW 21 513	1P NO - 10A	With symbol	Light	1	15/30
GW 21 514	1P NO - 10A	With symbol	Stairs	1	15/30
GW 21 515	1P NO - 10 A backlit	With replaceable neutral lens		1	30/60
GW 21 516	1P NO - 10 A backlit	With replaceable neutral lens		1	30/60
GW 21 529	1P NO - 10A illuminable	With replaceable neutral lens		1	30/60
GW 21 531	1P NC - 10 A illuminable	With replaceable neutral lens		1	15/30
GW 21 519	1P NC - 10A	Neutral	Circle	1	15/30
GW 21 520	1P NO+NO - 10A	With interlock	Double circles	1	15/30
GW 21 521	1P NO+NO - 10A	With interlock	UP - DOWN	1	30/60
GW 21 522	1P NO - 10A - Aux. NC	Start	Green	1	30/60
GW 21 523	1P NC - 10A - Aux. NO	Stop	Red	1	30/60
GW 21 517	2P NO - 10A	Neutral	Double circle	1	30/60
GW 21 518	2P NO - 10A	With pull-cord		1	20/40
GW 21 530	2P NO - 10A	With key	0/1	1	15/30

CHARACTERISTICS: the illuminable articles use miniature lamp units, not included; GW21520, GW21521, both contacts are open in the central position (OFF).

ACCESSORIES SUPPLIED: GW21515 - red fluorescent 230Vac (0.4W) signalling unit. GW21516 - white LED 12/24Vac/dc (0.4W) signalling unit. GW21518, cord in insulating material, 140cm long, with a knob. GW21530 supplied with 2 keys. Spare keys: GW30912.



GW 21 024

PUSH-BUTTON WITH ILLUMINABLE NAME PLATE - 250V AC

Code	Description	Lamp voltage	Lamp	Lamp power	No. SYSTEM modules	Pack Carton
GW 21 591	1P NO - 10A	12-24V ac/dc	Cartridge lamp S6x36 mm	2 W	2	15/30
GW 21 024	1P NO - 10A	12-24V ac/dc	Cartridge lamp S6x36 mm	2 W	3	20/40

CHARACTERISTICS: supplied without lamp.



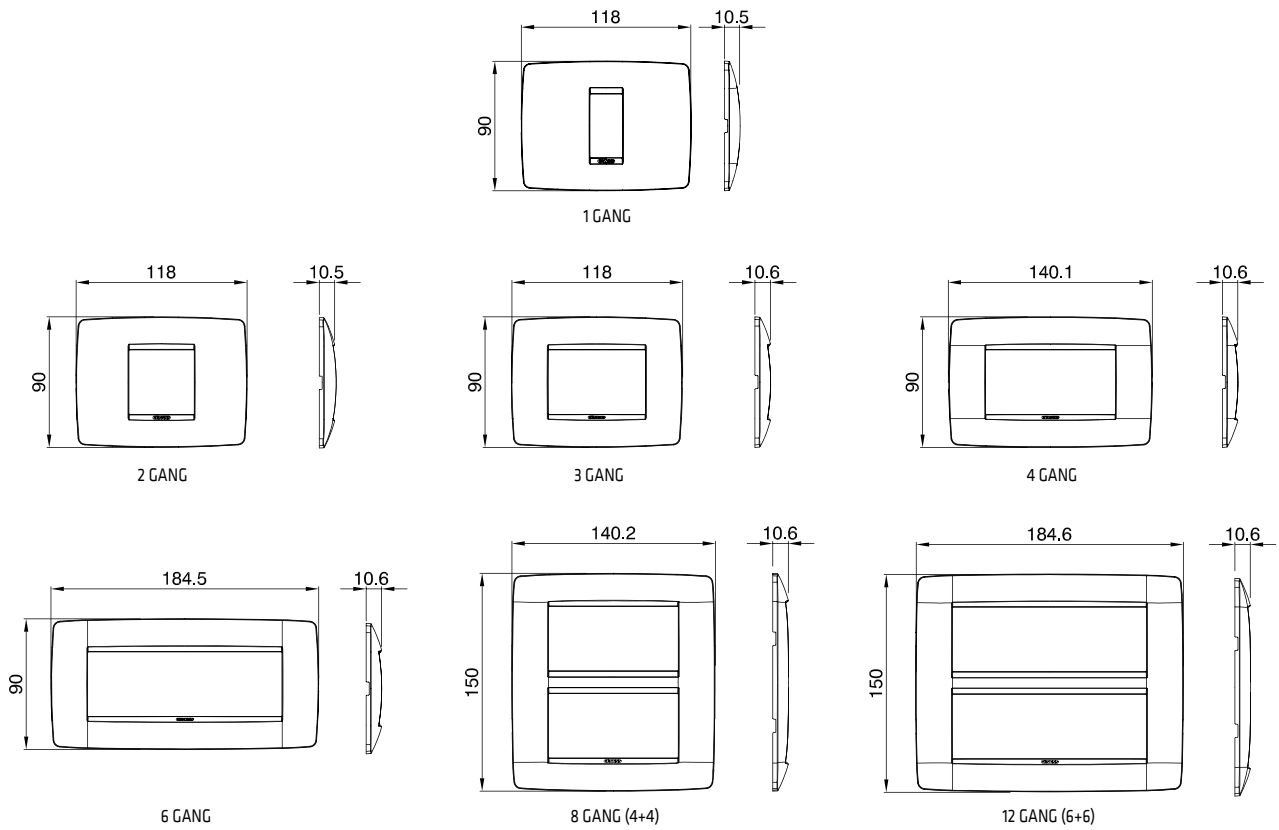
GW 21 589

WIDE-BUTTON ILLUMINABLE CONTROL DEVICES - 2M - 250V AC

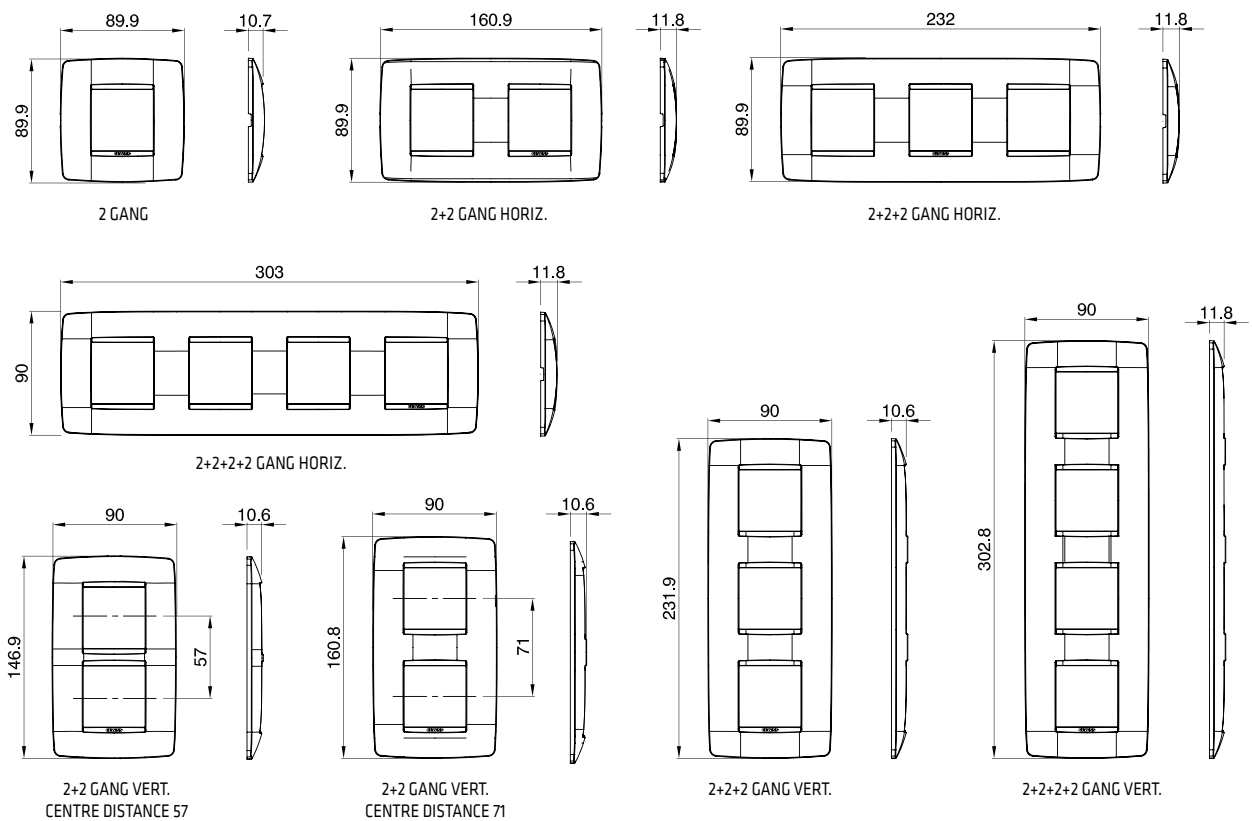
Code	Description	Button key	Type	Rated power of 230V LED lamps	No. SYSTEM modules	Pack Carton
GW 21 589	1P - 16 AX - illuminable	With diffuser	Two-way switch	200 W	2	15/30
GW 21 580	1P - 16 AX - illuminable	With diffuser	Intermediate switch	200 W	2	1/15
GW 21 527	1P NO - 10 A - illuminable	With diffuser	Push-button		2	15/30

CHARACTERISTICS: the illuminable articles use miniature lamp units, not included.

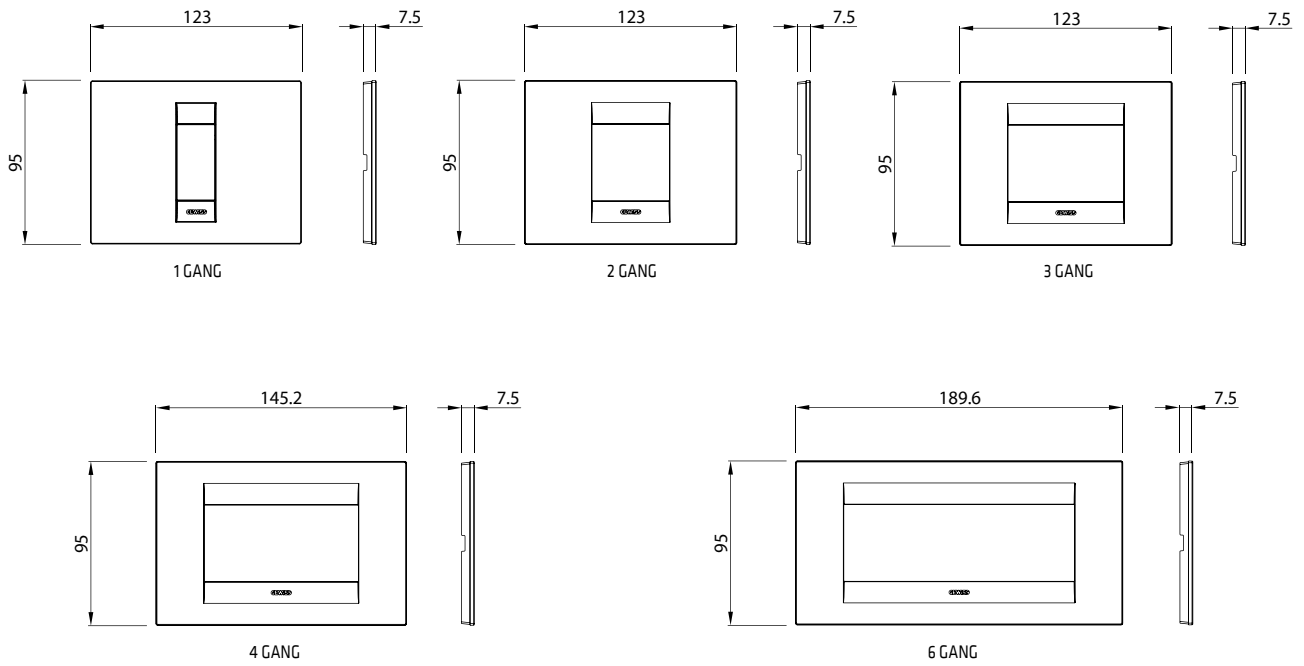
ONE PLATES



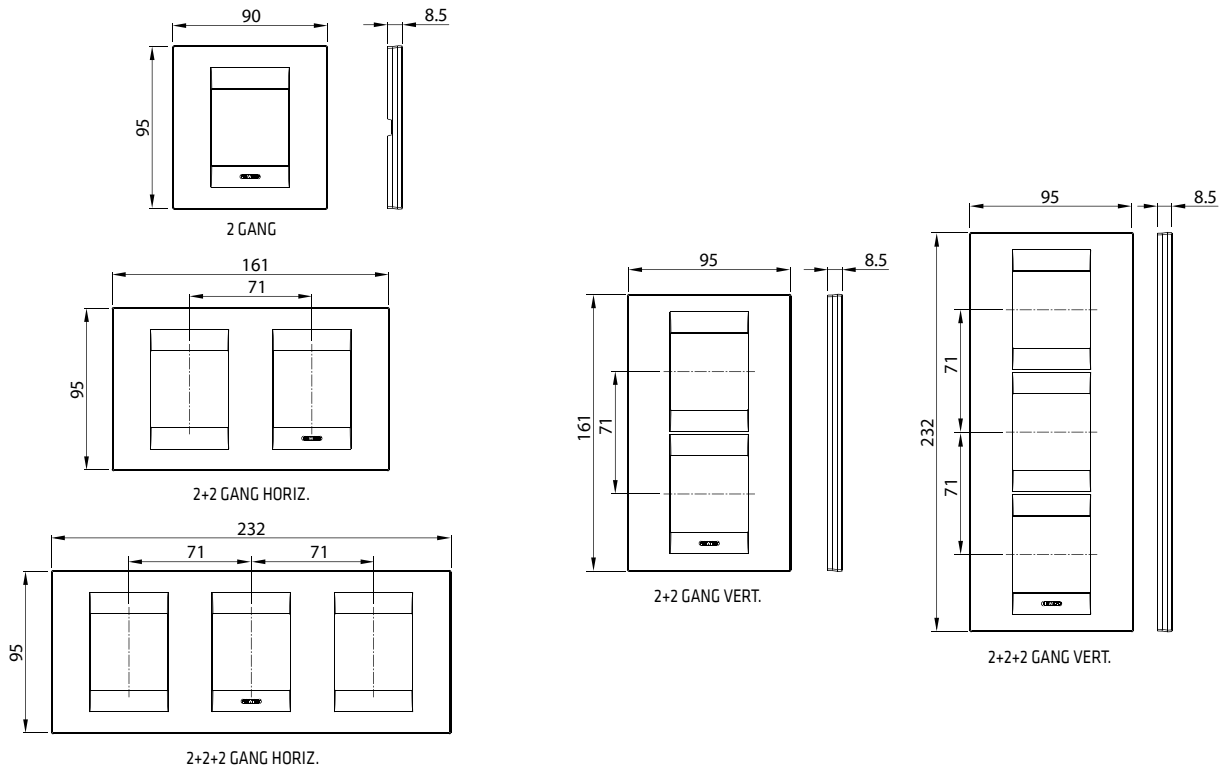
ONE INTERNATIONAL PLATES



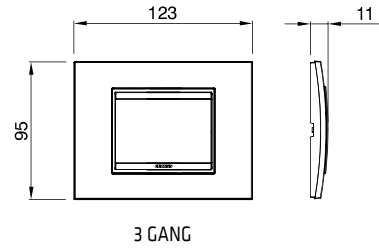
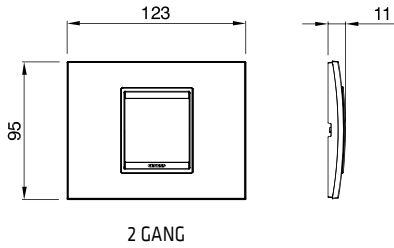
GEO PLATES



GEO INTERNATIONAL PLATES



LUX PLATES



DOMESTIC RANGES

LUX INTERNATIONAL PLATES

