

**POWER - SYSTEM BLACK**

**SOCKET-OUTLETS - ITALIAN/GERMAN STANDARD**

DOMESTIC RANGES



GW 21 203

**ITALIAN STANDARD SOCKET-OUTLETS - 250V AC**

Code	Description	Type	For plug pins	No. SYSTEM modules	Pack Carton
GW 21 201	2P+E - 10A	P11	Ø 4 mm	1	80/160
GW 21 203	2P+E - 16 A Dual amperage	P17-11	Ø 4 / 5 mm	1	80/320

CHARACTERISTICS: with safety shields.



GW 21 205

**ITALIAN/GERMAN STANDARD SOCKET-OUTLETS - 250V AC**

Code	Description	Earth pit	Type	For plug pins	No. SYSTEM modules	Pack Carton
GW 21 205	2P+E - 16A	Side and central	P30	Ø 4 / 4.8 mm	2	30/60
GW 21 246	2P+E - 16 A Dual amperage	Side and central	P40	Ø 4 / 4.8 / 5 mm	2	30/120

CHARACTERISTICS: with safety shields.



GW 21 291

**ITALIAN STANDARD QUICK WIRING DOUBLE SOCKET-OUTLET - 250V AC**

Code	Description	Type	For plug pins	Input	No. SYSTEM modules	Pack Carton
GW 21 291	2x2P+E 16A Dual amp.	P17-11	Ø 4 / 5 mm	1x16 A	2	30/60

CHARACTERISTICS: with safety shields. The wiring is carried out via 3 terminals that power the socket-outlets, without using U-bolts.

**SOCKET-OUTLETS - INTERNATIONAL STANDARD**



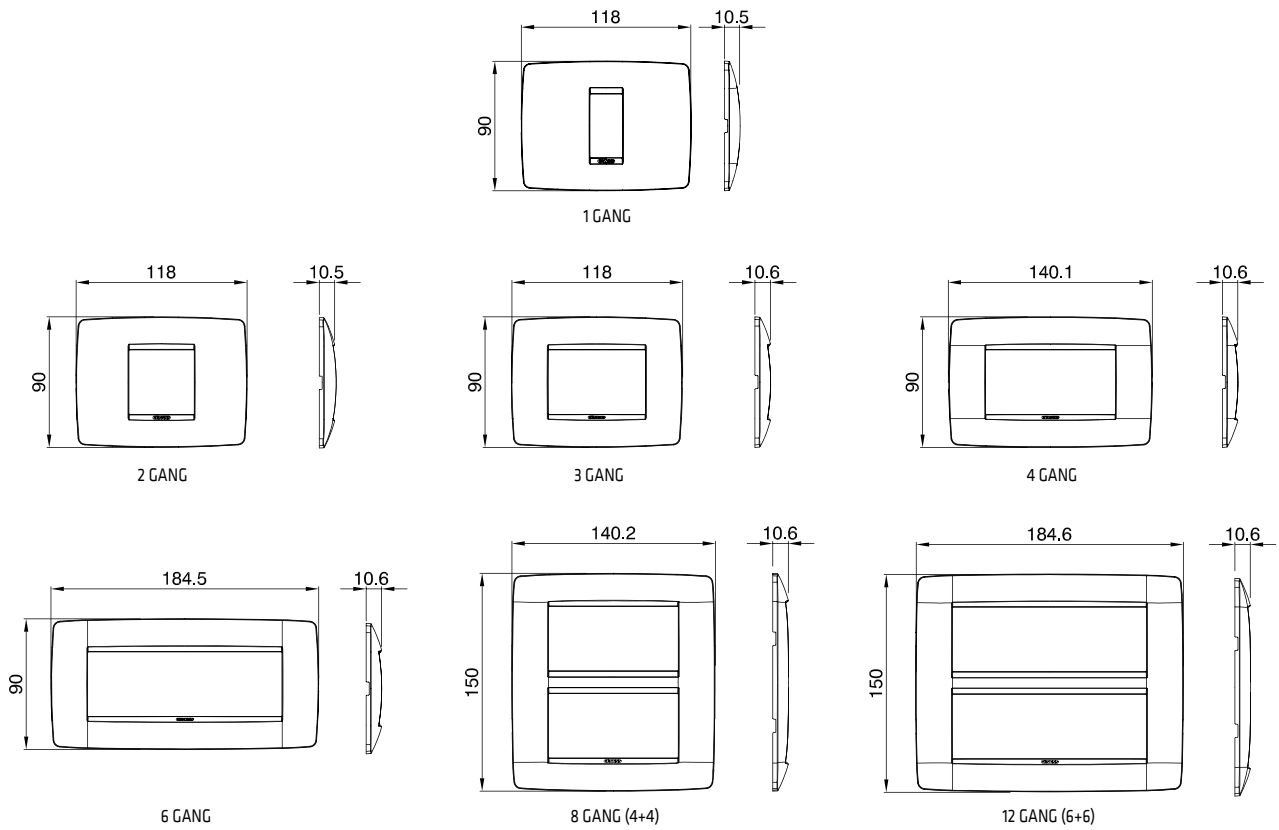
GW 21 265

**GERMAN STANDARD SOCKET-OUTLET - 250V AC**

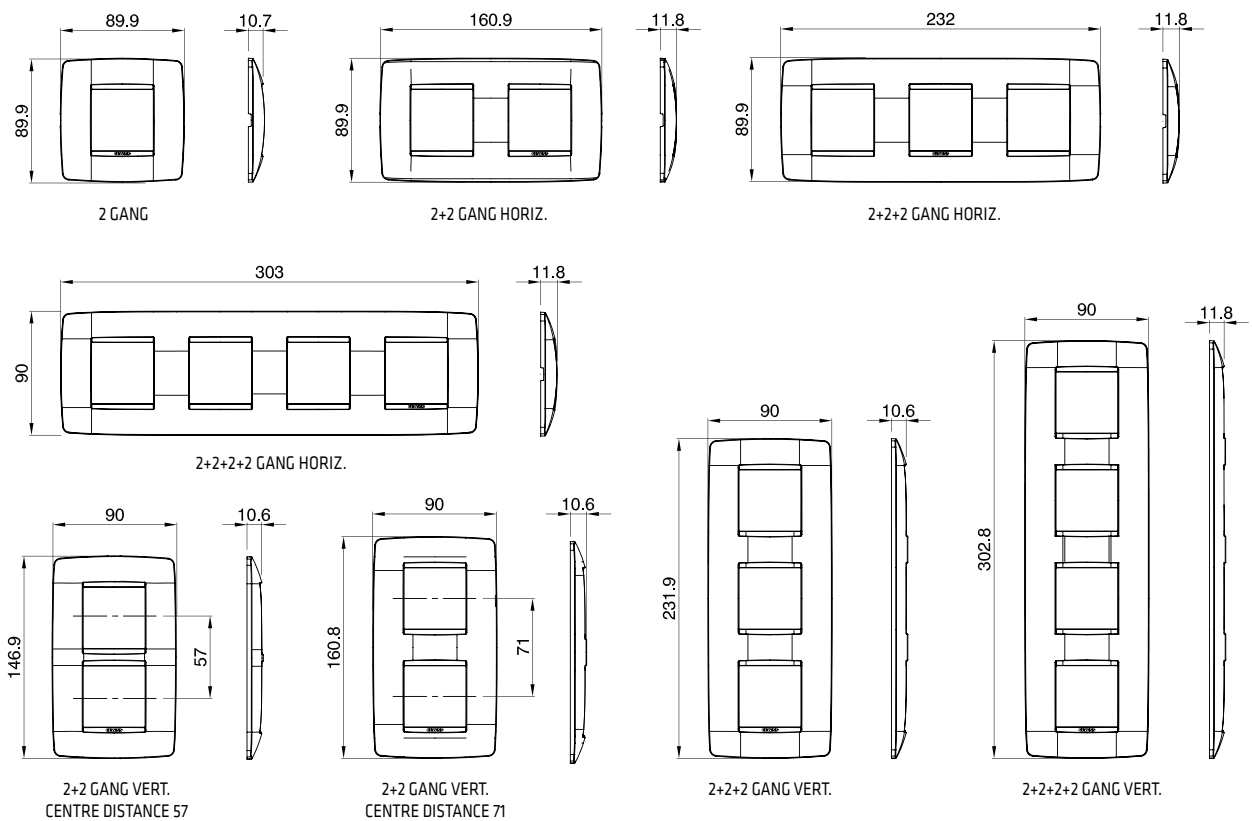
Code	Description	For plug pins	No. SYSTEM modules	Pack Carton
GW 21 265	2P+E - 16A	Ø 4.8 mm	2	30/60

CHARACTERISTICS: with safety shields.

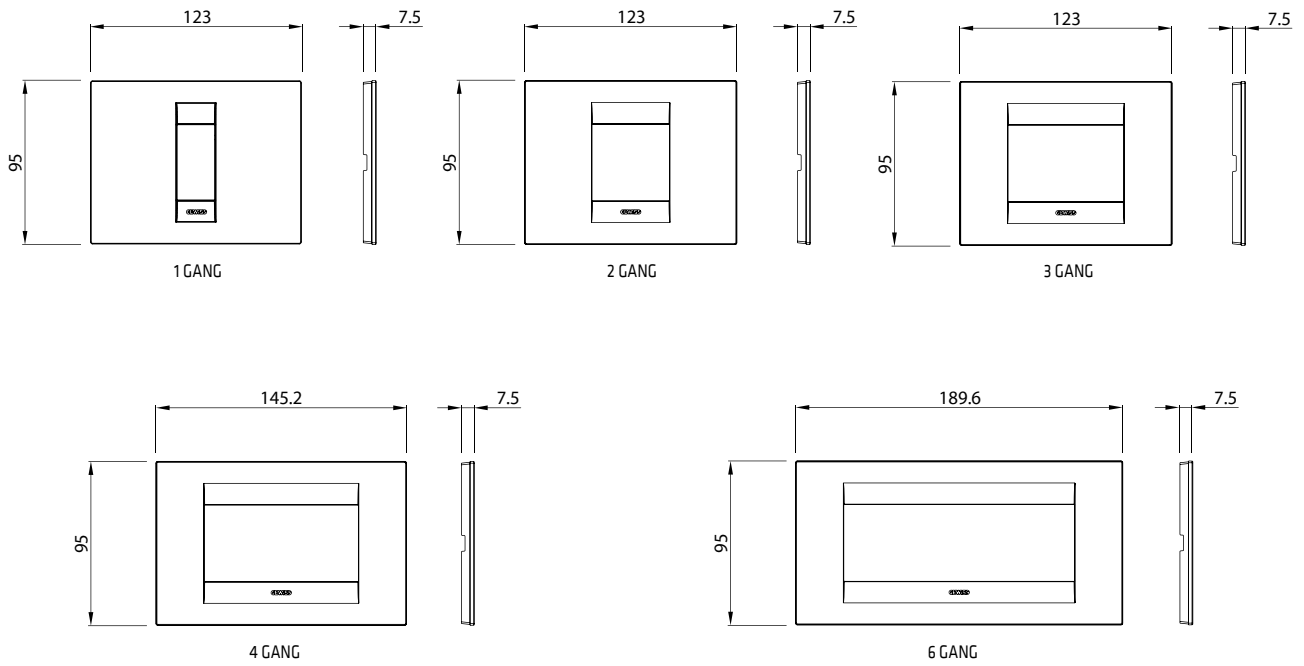
**ONE PLATES**



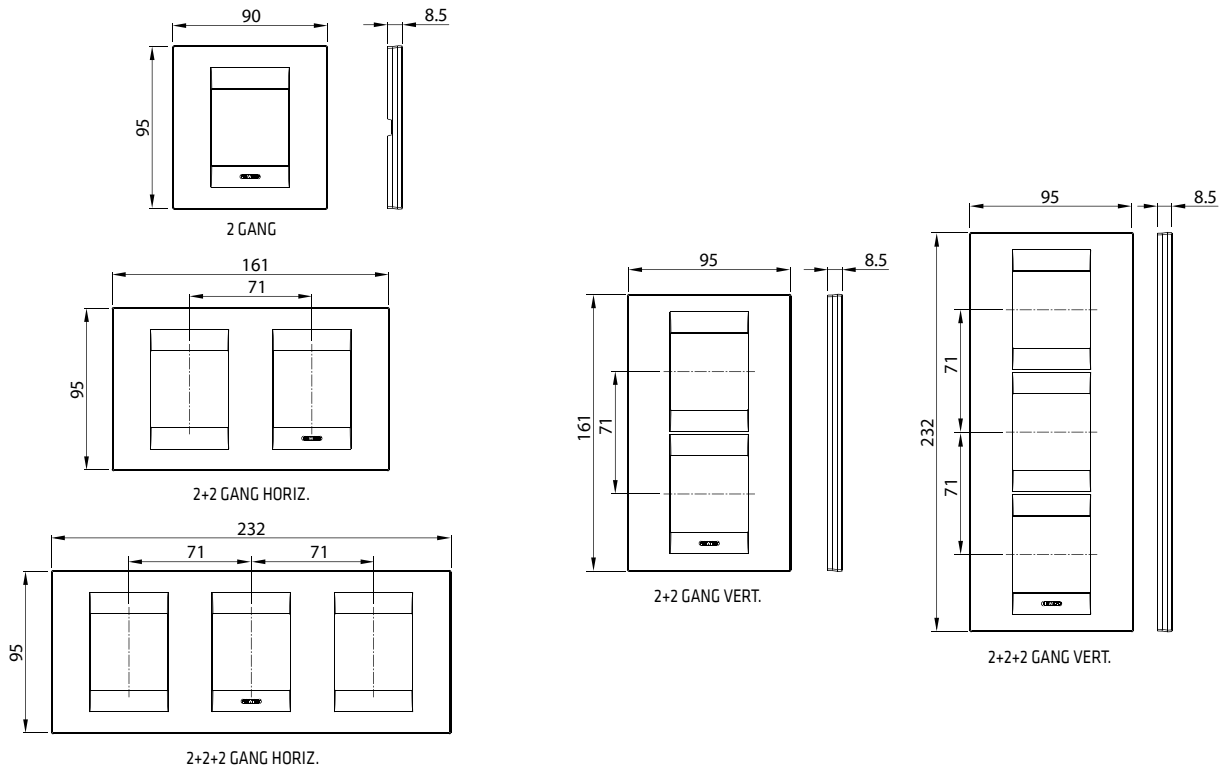
**ONE INTERNATIONAL PLATES**



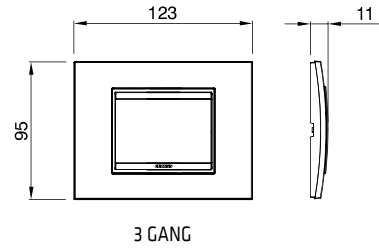
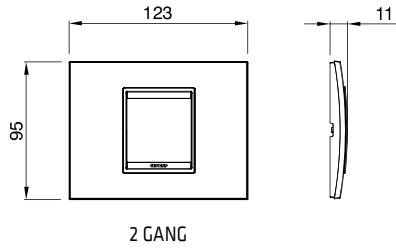
## GEO PLATES



## GEO INTERNATIONAL PLATES



**LUX PLATES**



DOMESTIC RANGES

**LUX INTERNATIONAL PLATES**

