

ENERGY, TEMPERATURE AND COMFORT MANAGEMENT - SYSTEM WHITE

DIMMER

DOMESTIC RANGES



GW 20 802

ROTATING ELECTRONIC REGULATORS FOR RESISTIVE/INDUCTIVE LOADS

Code	Supply voltage	Resistive load 230V ac	Inductive load 230V ac	No. SYSTEM modules	Pack Carton
GW 20 802	230V - 50 / 60 Hz	100-500 W		1	1/14
GW 20 803	230V - 50 / 60 Hz	100-900 W	40-300 VA	1	1/14
GW 20 811	230V - 50 / 60 Hz	100-500 W	100-500 VA	1	1/14

CHARACTERISTICS: with signalling led orange. GW20811 rotary command with two-way switch.

GW20803 compliance with the EMC requirements is only guaranteed by connecting the regulator to an LC filter with the following characteristics: L=1mH - 5A, C=0.15uF - 275V X2, according to the documentation provided with the product. Item designated solely for export to a limited number of countries outside of the European Union or countries applying to become part of the European Free Trade Area. Contact Gewiss Customer Service to check the product meets the regulations of the country concerned before importing it.

NOTES: to avoid overheating, the side-by-side installation of several products in a single container is not permitted; insert a blanking module between two electronic devices. If installing two regulators in the same box, the maximum loads that can be commanded by each regulator must be reduced by 50%.



GW 20 828

ELECTRONIC REGULATOR WITH BUTTON FOR RESISTIVE/INDUCTIVE LOADS

Code	Supply voltage	Resistive load 230V ac	Inductive load 230V ac	No. SYSTEM modules	Pack Carton
GW 20 828	230V - 50 / 60 Hz	60-500 W	60-500 VA	1	1/14

CHARACTERISTICS: possibility to command and regulate from remote control push-buttons with NO contact. With signalling led orange.

NOTES: to avoid overheating, the side-by-side installation of several products in a single container is not permitted; insert a blanking module between two electronic devices. If installing two regulators in the same box, the maximum loads that can be commanded by each regulator must be reduced by 50%.



GW 20 829

ELECTRONIC REGULATOR WITH BUTTON FOR ELECTRONIC TRANSFORMERS

Code	Supply voltage	Resistive load 230V ac	Inductive load 230V ac	No. SYSTEM modules	Pack Carton
GW 20 829	230V - 50 / 60 Hz	40-300 W	40-300 VA	1	1/14

CHARACTERISTICS: possibility to command and regulate from remote control push-buttons with NO contact. With signalling led blue. Product extremely silent.

NOTES: to avoid overheating, the side by side installation of several products in a single container is not permitted; insert a blanking module between two electronic devices. If installing two regulators in the same box, the maximum loads that can be commanded by each regulator must be reduced by 50%.



GW 20 818

ELECTRONIC REGULATOR WITH BUTTON FOR AIR AGITATORS

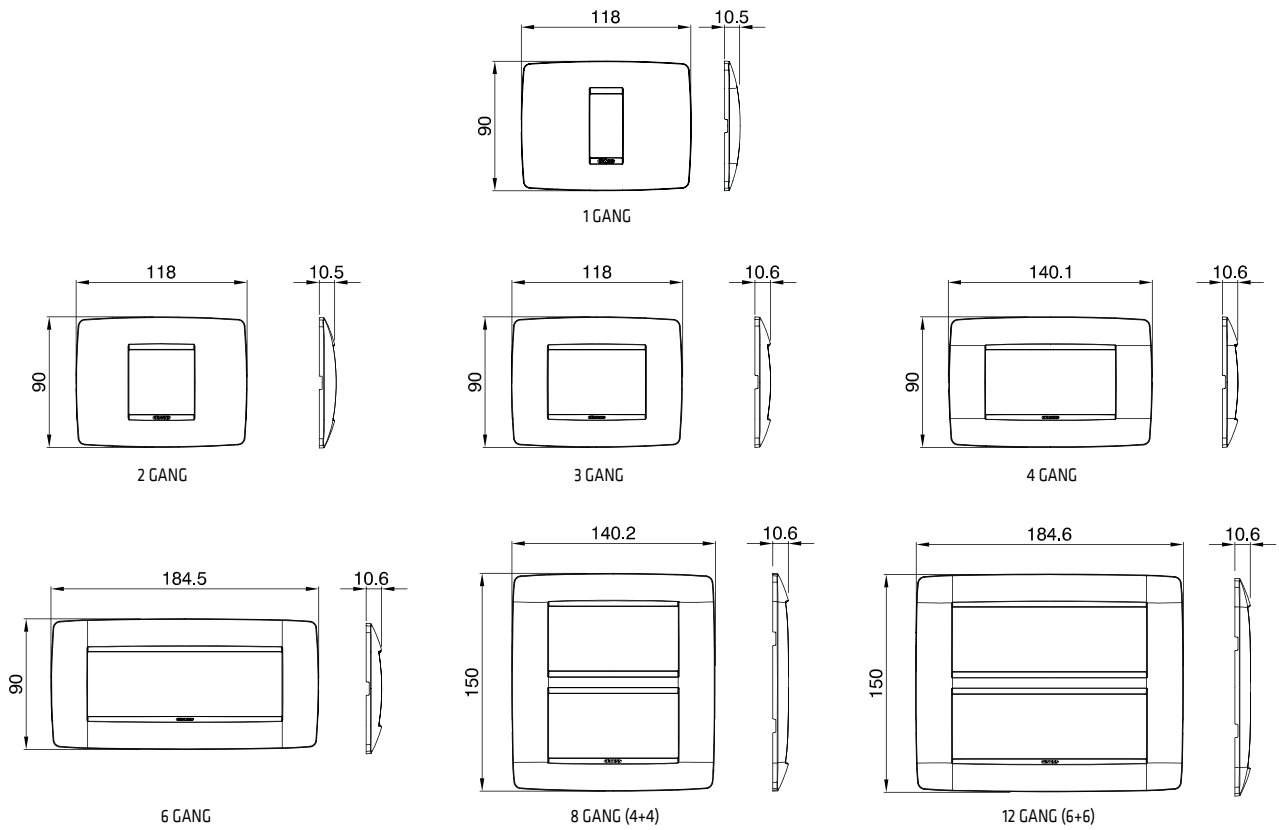
Code	Supply voltage	Load 230V ac	No. SYSTEM modules	Pack Carton
GW 20 818	230V - 50 / 60 Hz	55-80 VA	1	1/14

CHARACTERISTICS: possibility to command and regulate at fixed steps also from remote control push-buttons with NO contact. With signalling led red.

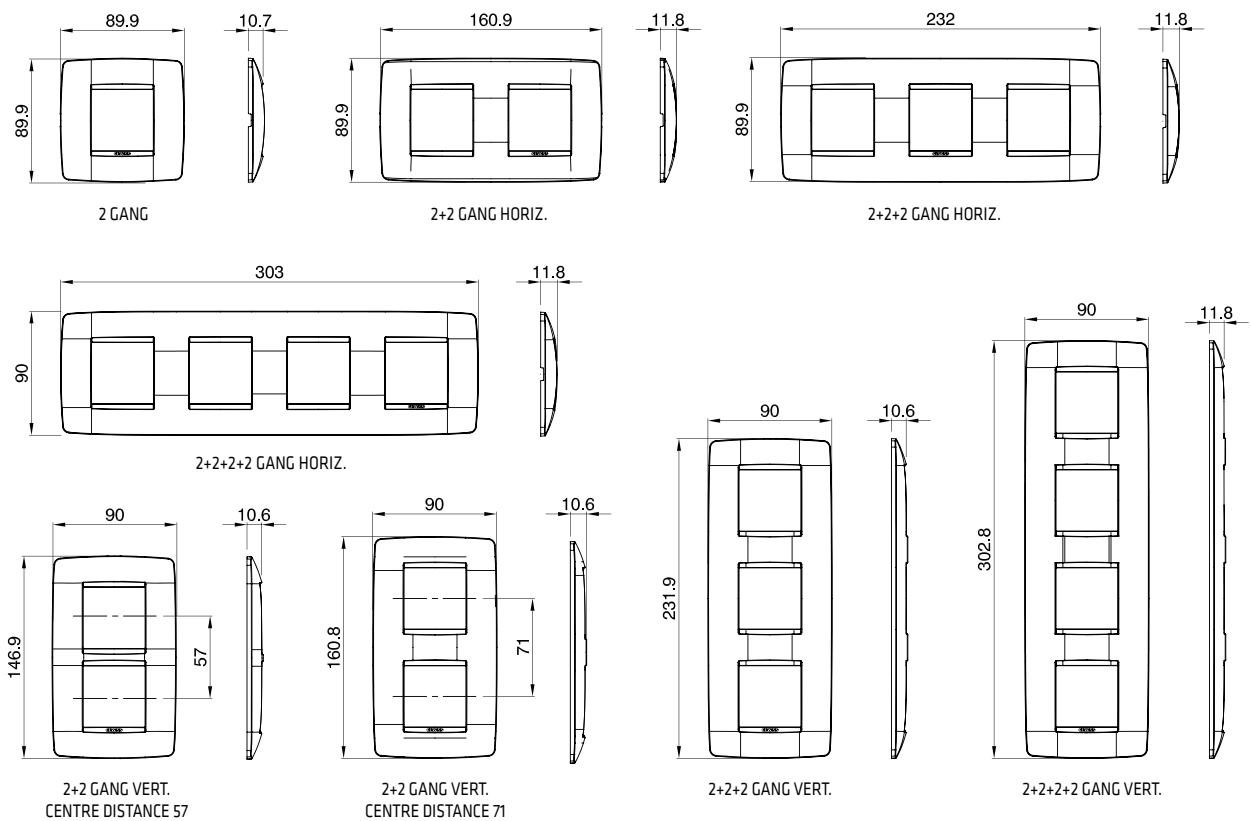
APPLICATIONS: suitable for adjusting air agitators, fans and extractors with induction motors.

NOTES: to avoid overheating, the side by side installation of several products in a single container is not recommended; insert a blanking module between two electronic devices.

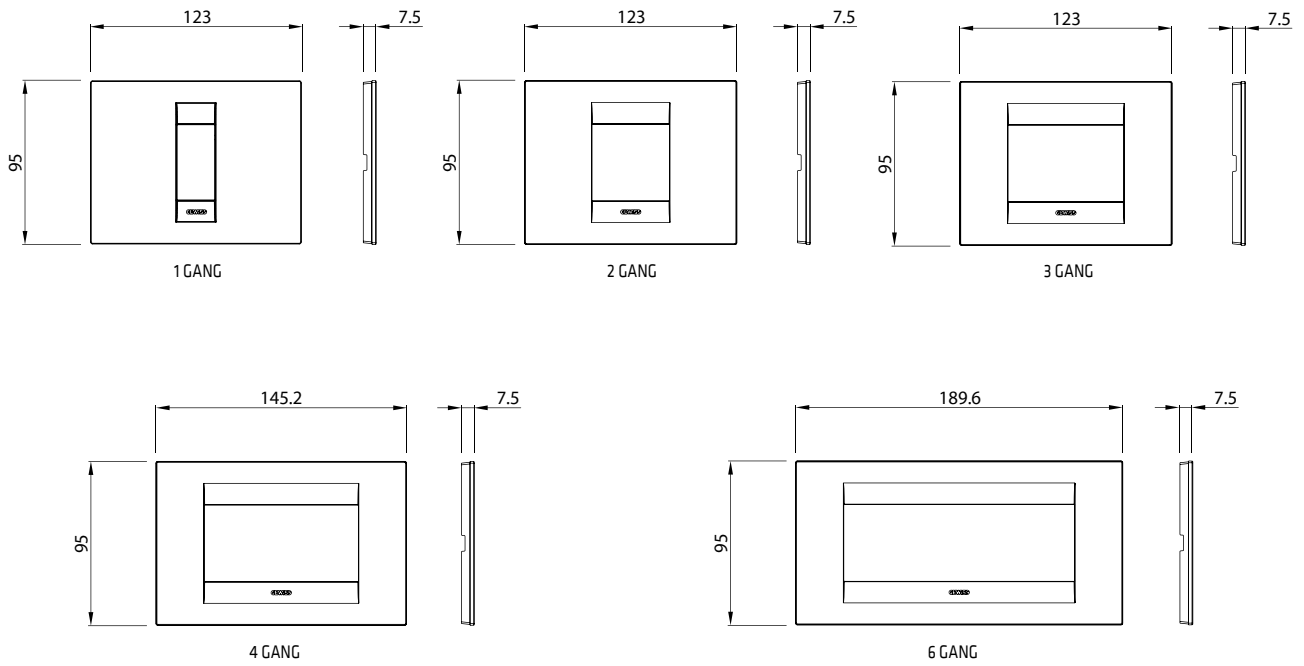
ONE PLATES



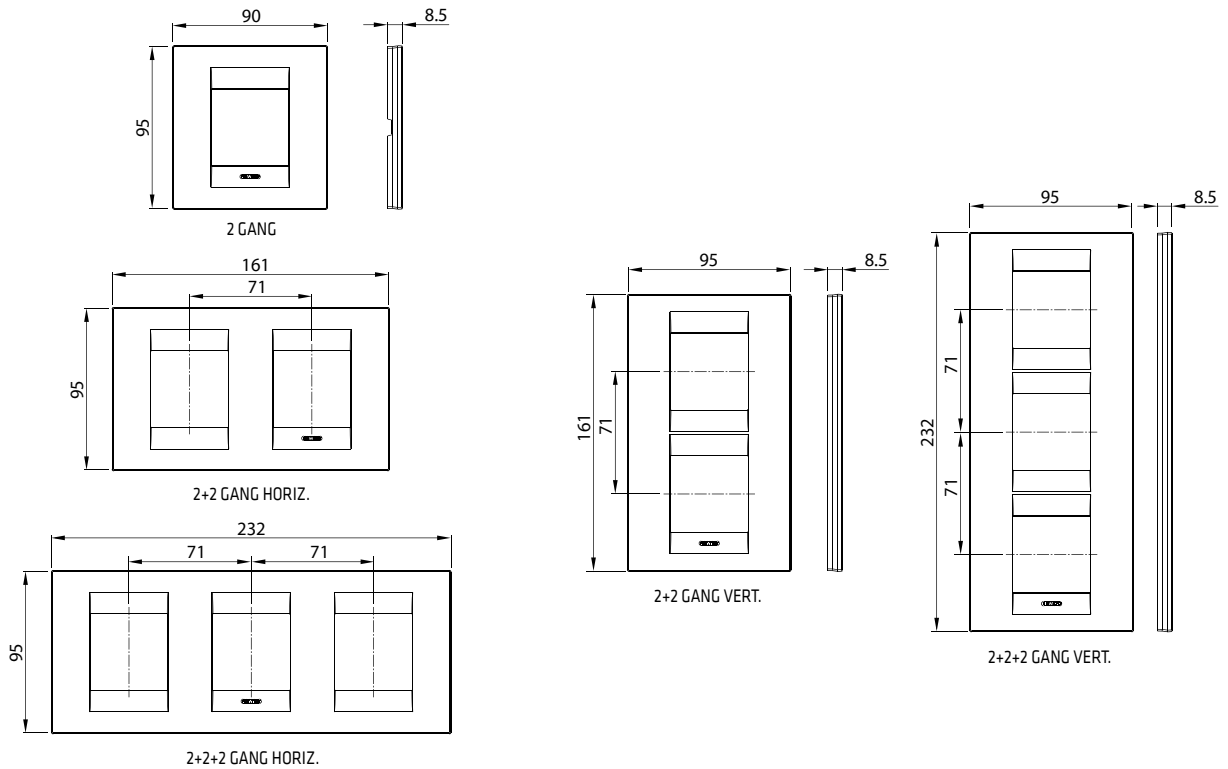
ONE INTERNATIONAL PLATES



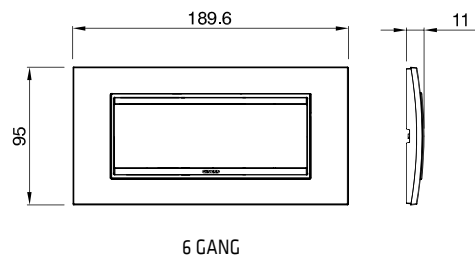
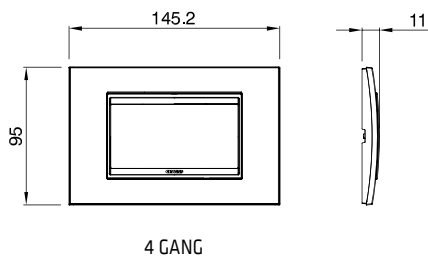
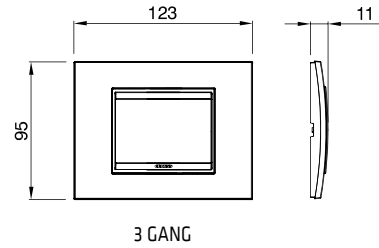
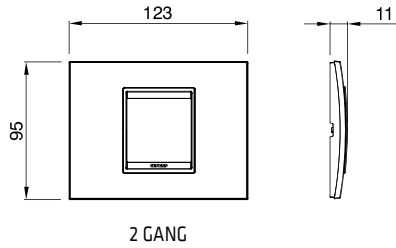
GEO PLATES



GEO INTERNATIONAL PLATES



LUX PLATES



DOMESTIC RANGES

LUX INTERNATIONAL PLATES

