



GW 20 579

INTERMEDIATE SWITCH 1P - 250V AC

Code	Description	Button key	Rated power of 230V LED lamps	No. SYSTEM modules	Pack Carton
GW 20 579	1P - 16AX	Neutral	200 W	1	30/60



GW 20 559

THREE-WAY SWITCH 1P - 250V AC

Code	Description	Button key	Symbol	Rated power of 230V LED lamps	No. SYSTEM modules	Pack Carton
GW 20 559	1P - 10AX	Neutral	UP - DOWN	100 W	1	30/60
GW 20 528	1P - 10AX	With replaceable neutral lens		100 W	1	30/60

CHARACTERISTICS: three standing positions. Both contacts are open in the central position (OFF).

GW20528 - not-illuminated product; equipped with neutral lens.

APPLICATIONS: command of circuits requiring an interlock (e.g. operating motorised devices with direction reversal). 2-user selective control.



GW 20 560

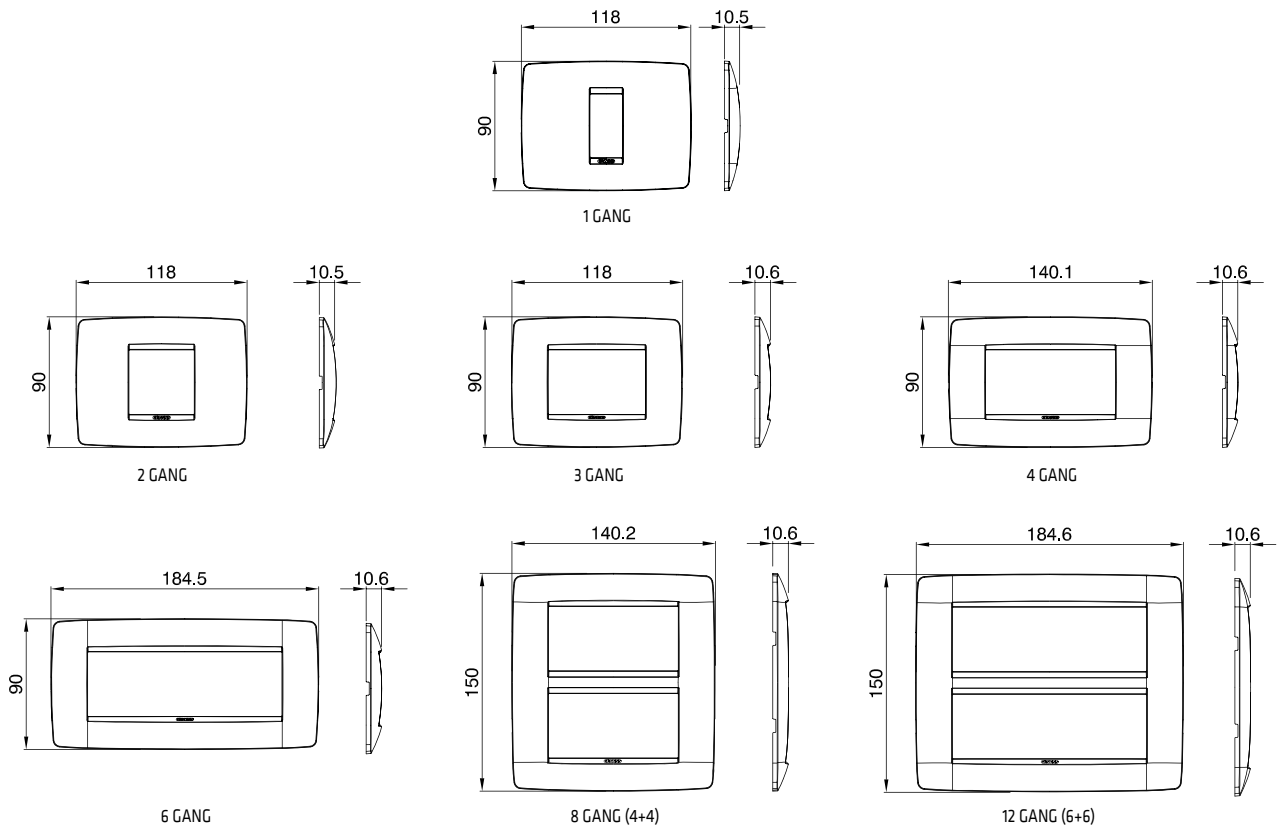
THREE-WAY SWITCH 2P - 250 V AC

Code	Description	Button key	Symbol	Rated power of 230V LED lamps	No. SYSTEM modules	Pack Carton
GW 20 560	2P - 10AX	Neutral	UP - DOWN	100 W	1	30/60

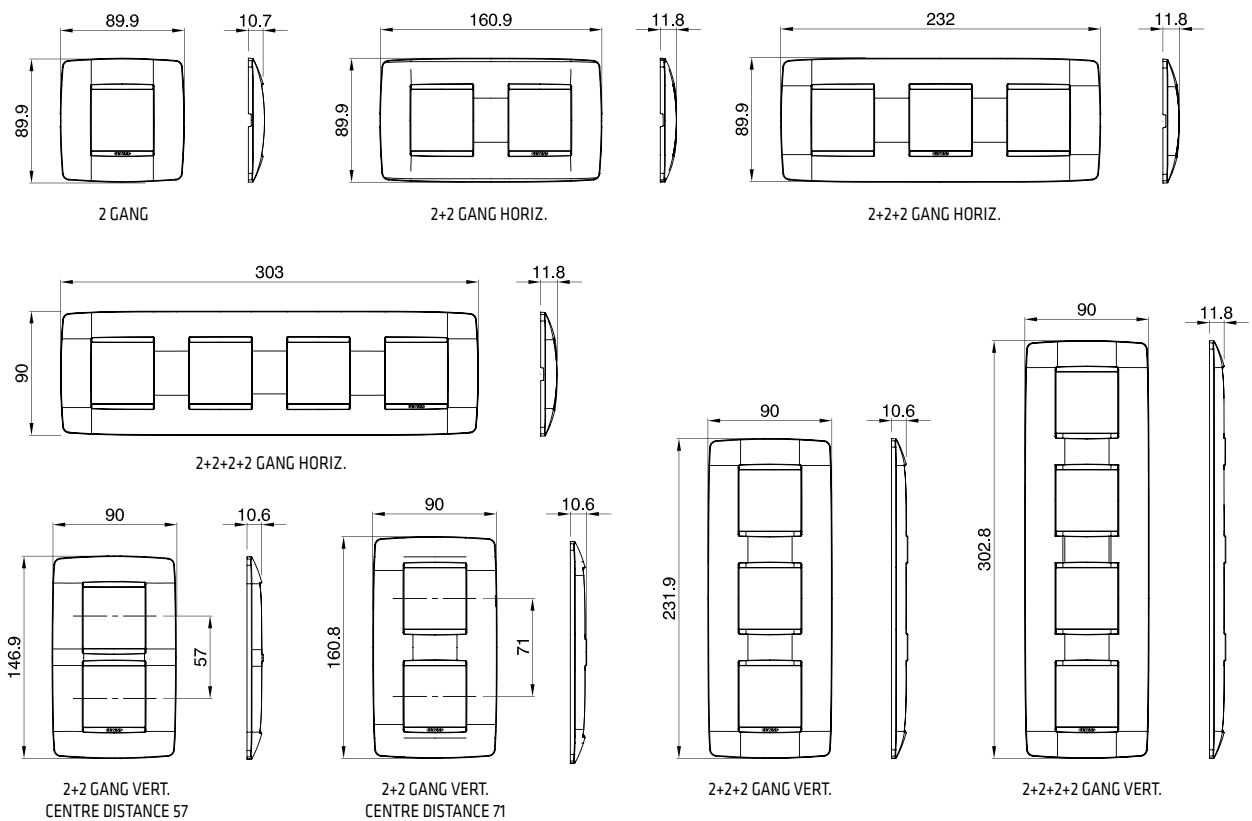
CHARACTERISTICS: three standing positions. Both contacts are open in the central position (OFF). With 6 terminal blocks.

APPLICATIONS: command of circuits requiring an interlock (e.g. operating motorised devices with direction reversal). 2-user selective control.

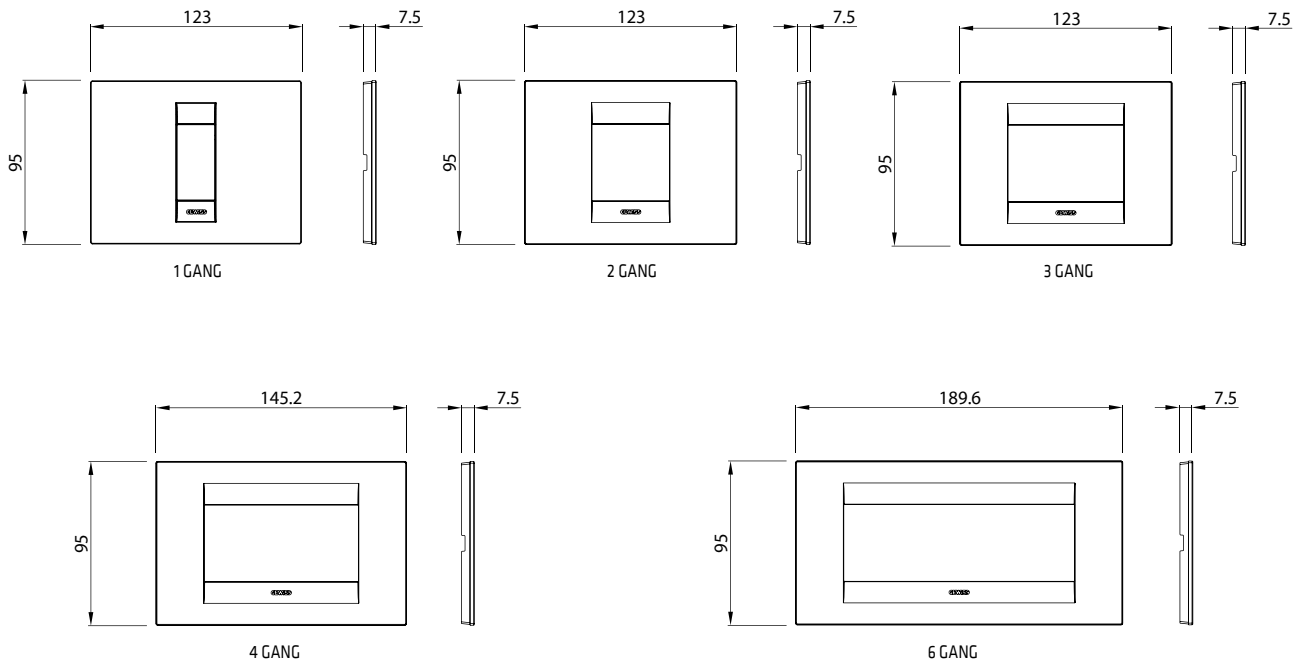
ONE PLATES



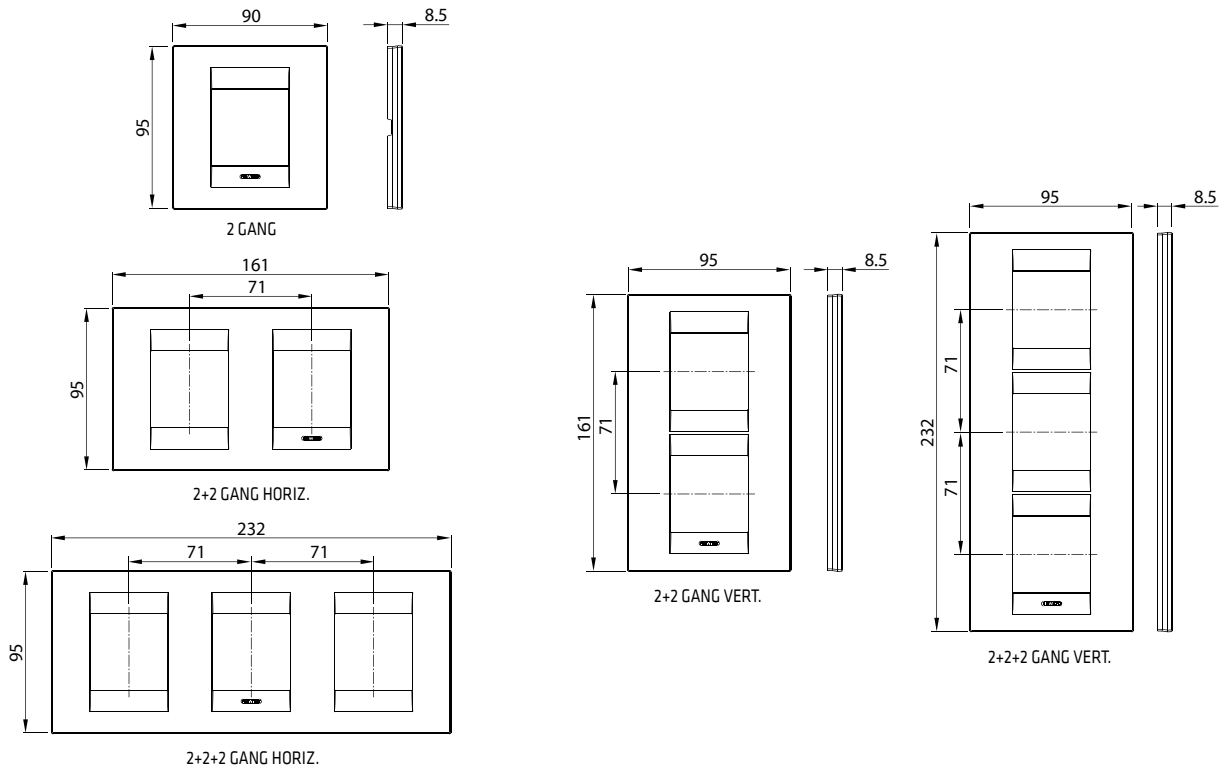
ONE INTERNATIONAL PLATES



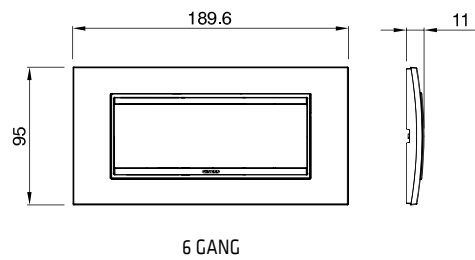
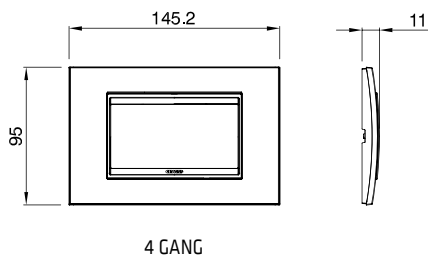
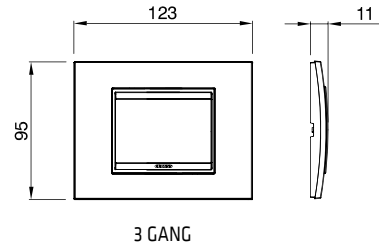
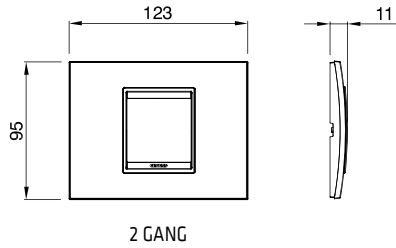
GEO PLATES



GEO INTERNATIONAL PLATES



LUX PLATES



DOMESTIC RANGES

LUX INTERNATIONAL PLATES

