



GW 20 510

PUSH-BUTTONS - 250V AC

Code	Description	Button key	Symbol	No. SYSTEM modules	Pack Carton
GW 20 510	1P NO - 10A	Neutral		1	80/160
GW 20 511	1P NO - 10A	With symbol	Key	1	15/30
GW 20 512	1P NO - 10A	With symbol	Bell	1	30/60
GW 20 513	1P NO - 10A	With symbol	Light	1	15/30
GW 20 514	1P NO - 10A	With symbol	Stairs	1	15/30
GW 20 515	1P NO - 10 A backlit	With replaceable neutral lens		1	30/60
GW 20 516	1P NO - 10 A backlit	With replaceable neutral lens		1	30/60
GW 20 529	1P NO - 10A illuminable	With replaceable neutral lens		1	30/60
GW 20 531	1P NC - 10 A illuminable	With replaceable neutral lens		1	15/30
GW 20 519	1P NC - 10A	Neutral	Circle	1	15/30
GW 20 520	1P NO+NO - 10A	With interlock	Double circles	1	15/30
GW 20 521	1P NO+NO - 10A	With interlock	UP - DOWN	1	30/60
GW 20 522	1P NO - 10A - Aux. NC	Start	Green	1	30/60
GW 20 523	1P NC - 10A - Aux. NO	Stop	Red	1	30/60
GW 20 517	2P NO - 10A	Neutral	Double circle	1	30/60
GW 20 518	2P NO - 10A	With pull-cord		1	20/40
GW 20 530	2P NO - 10A	With key	0/1	1	15/30

CHARACTERISTICS: the illuminable articles use miniature lamp units, not included. GW20520, GW20521, both contacts are open in the central position (OFF).

ACCESSORIES SUPPLIED: GW20515 - red fluorescent 230Vac (0.4W) signalling unit. GW20516 - white LED 12/24Vac/dc (0.4W) signalling unit. GW20518, cord in insulating material, 140cm long, with a knob. GW20530 supplied with 2 keys. Spare keys: GW30912.



GW 20 024

PUSH-BUTTONS WITH ILLUMINABLE NAME-PLATE - 250V AC

Code	Description	Lamp voltage	Lamp	Lamp power	No. SYSTEM modules	Pack Carton
GW 20 591	1P NO - 10A	12-24V ac/dc	Cartridge lamp S6x36 mm	2 W	2	15/30
GW 20 024	1P NO - 10A	12-24V ac/dc	Cartridge lamp S6x36 mm	2 W	3	20/40

CHARACTERISTICS: supplied without lamp.



GW 20 589

WIDE-BUTTON ILLUMINABLE CONTROL DEVICES - 2M - 250V AC

Code	Description	Button key	Type	Rated power of 230V LED lamps	No. SYSTEM modules	Pack Carton
GW 20 589	1P - 16 AX - illuminable	With diffuser	Two-way switch	200 W	2	15/30
GW 20 580	1P - 16 AX - illuminable	With diffuser	Intermediate switch	200 W	2	1/15
GW 20 527	1P NO - 10 A - illuminable	With diffuser	Push-button		2	15/30

CHARACTERISTICS: the illuminable articles use miniature lamp units, not included.

BLANKING MODULES AND OUTLET



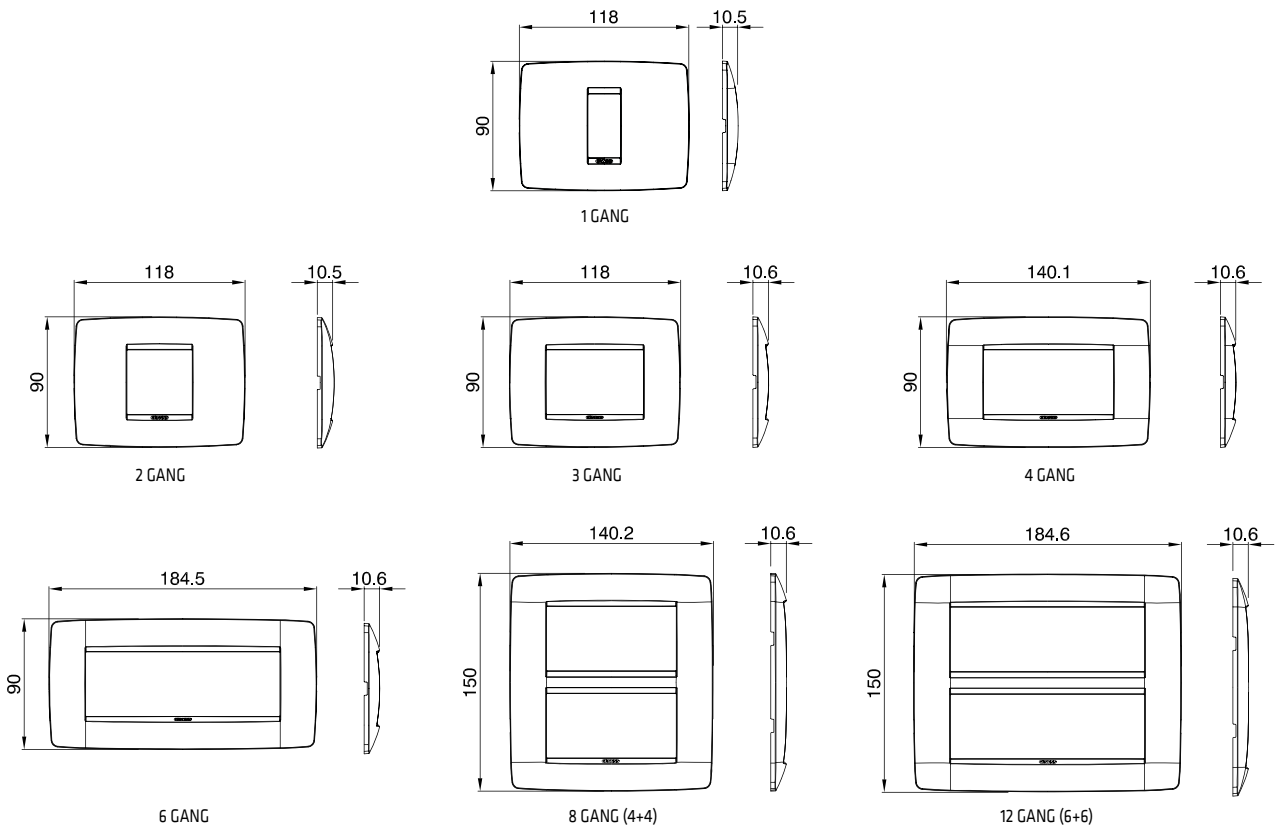
GW 20 056

BLANKING MODULES AND CABLE OUTLET

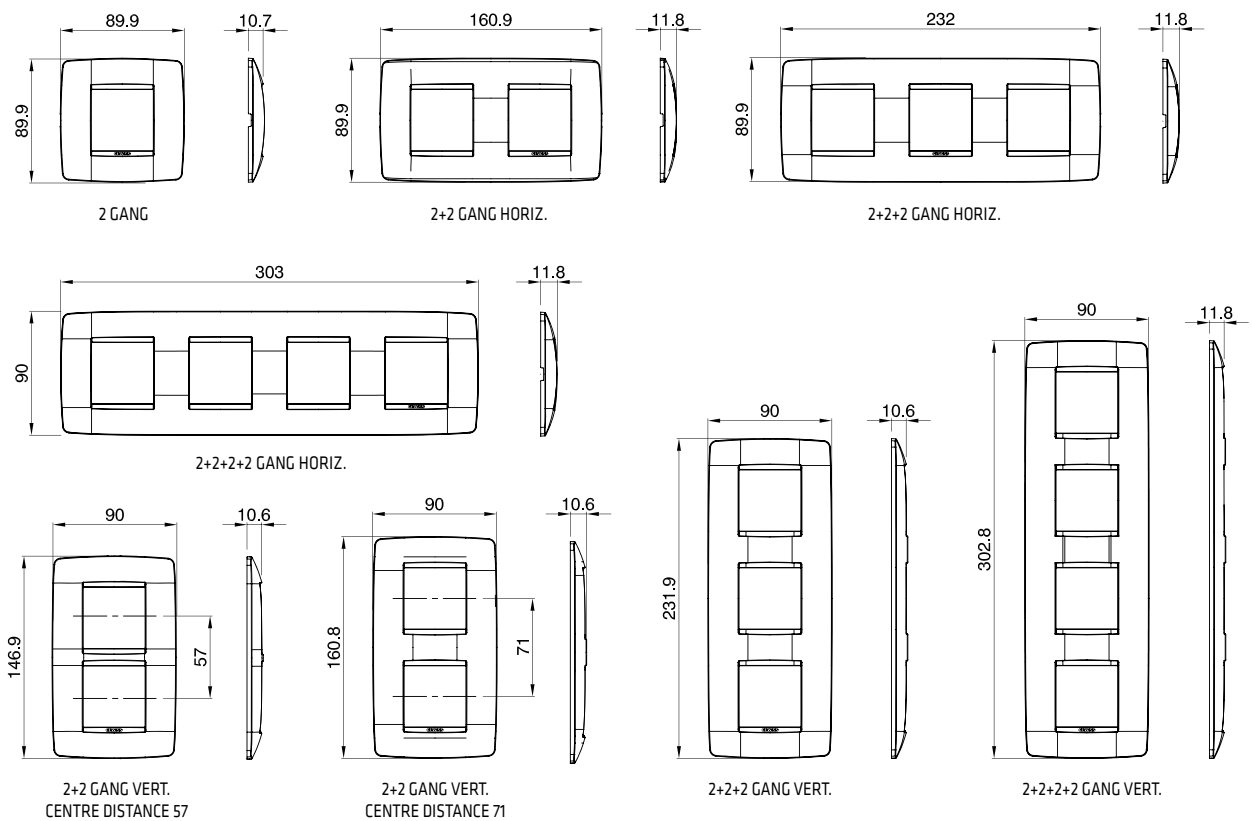
Code	Description	No. SYSTEM modules	Pack Carton
GW 20 056	1 gang	1	10/480
GW 20 073	2 gang	2	30/60
GW 20 058	1 gang with outlet for cable Ø 4 and Ø 8mm	1	60/120

APPLICATIONS: in addition to their normal use, they permit installing signal socket-outlets, microswitches and LEDs after appropriate drilling/preparation.

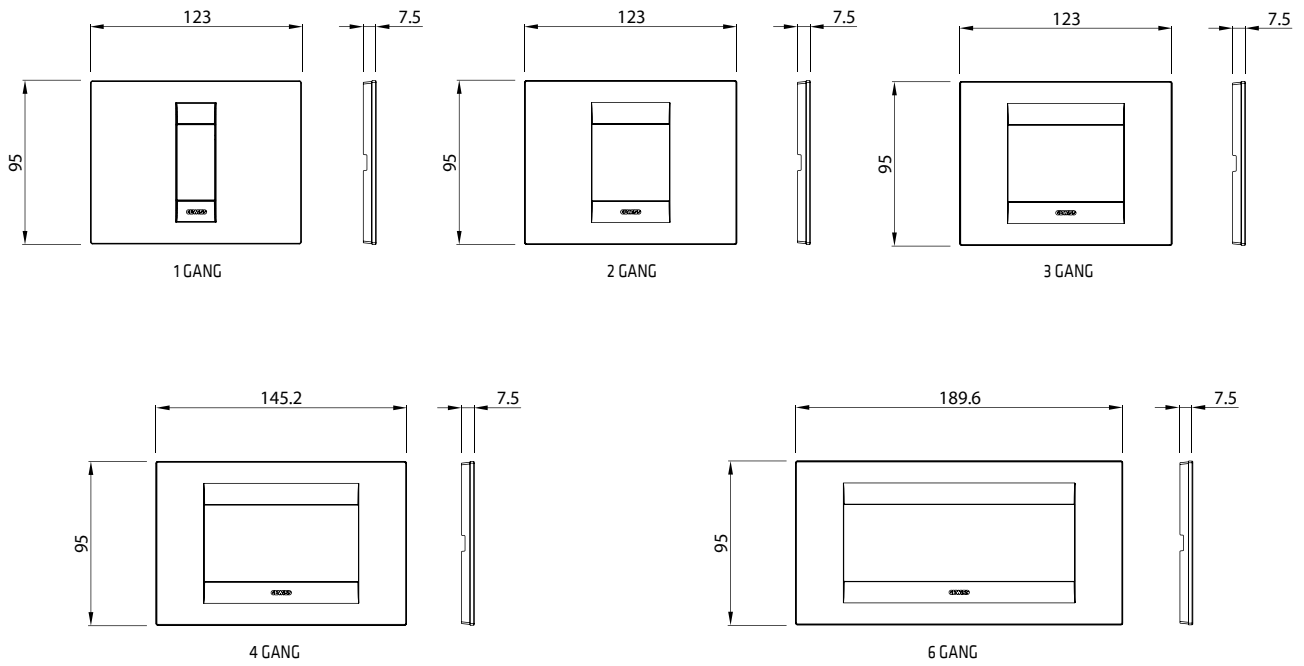
ONE PLATES



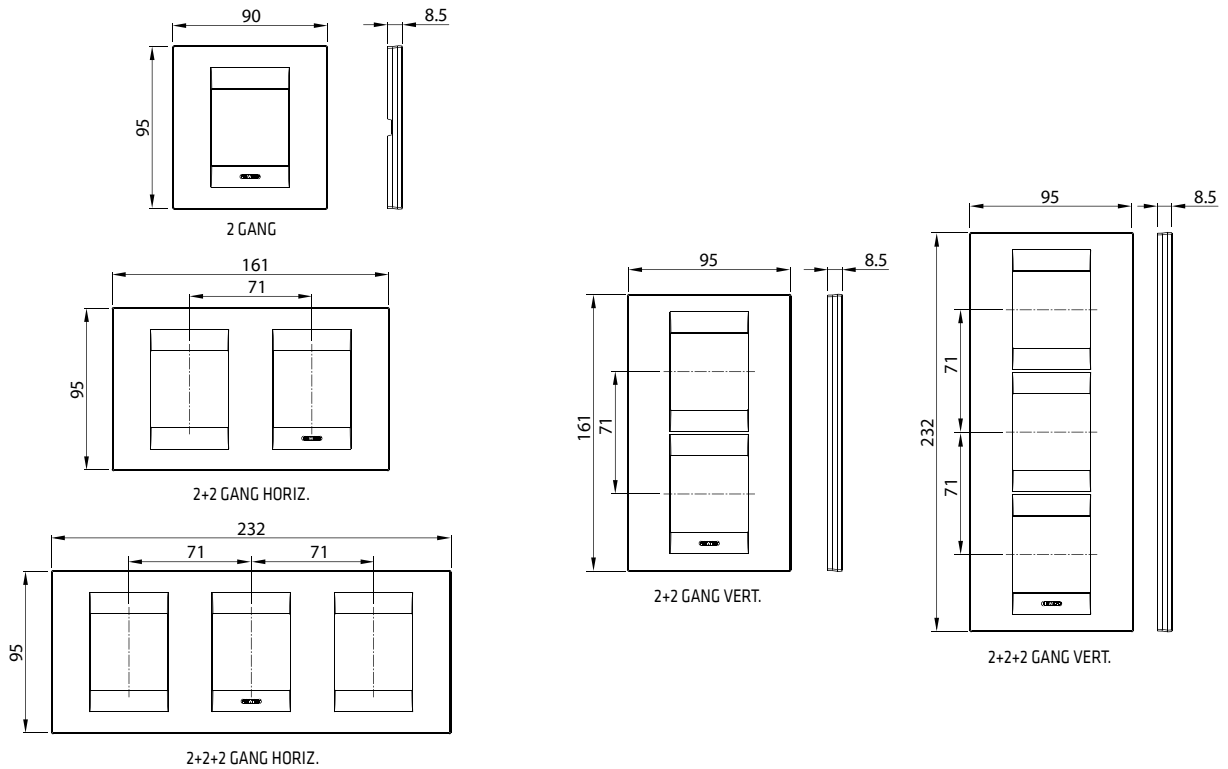
ONE INTERNATIONAL PLATES



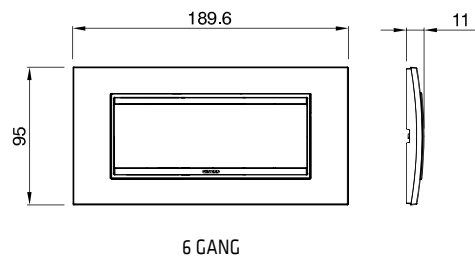
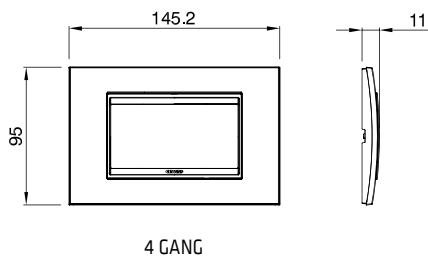
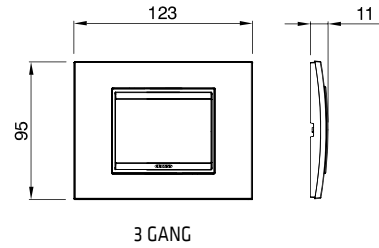
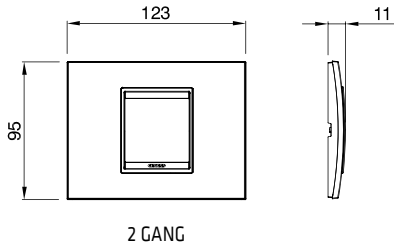
GEO PLATES



GEO INTERNATIONAL PLATES



LUX PLATES



DOMESTIC RANGES

LUX INTERNATIONAL PLATES

