

PROTECTION DEVICES



GW 20 401

FUSE-HOLDER - 250V AC

Code	Rated current (A)	Fuse type	No. SYSTEM modules	Pack Carton
GW 20 401	16	Ø 6.3 x 32 mm	1	30/60



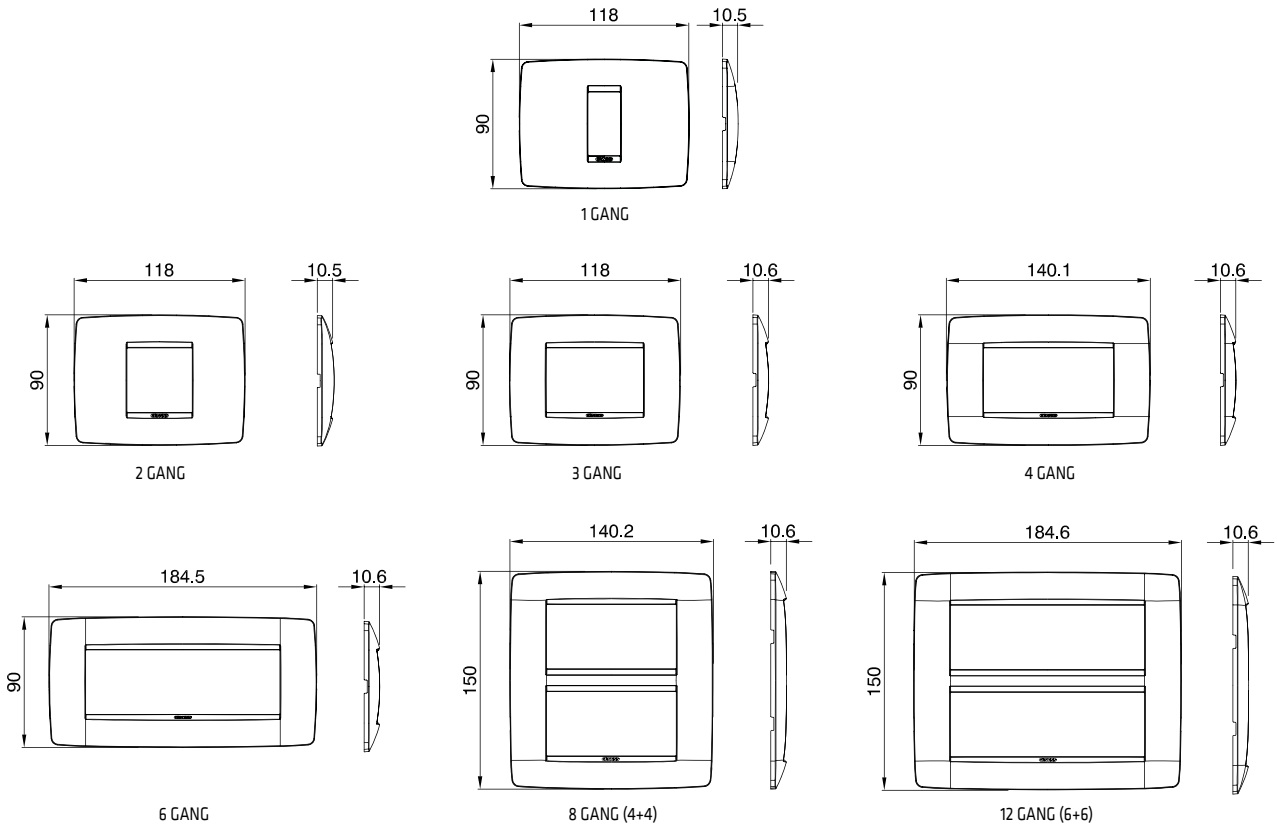
GW 20 423

SURGE PROTECTION DEVICE - 250V AC

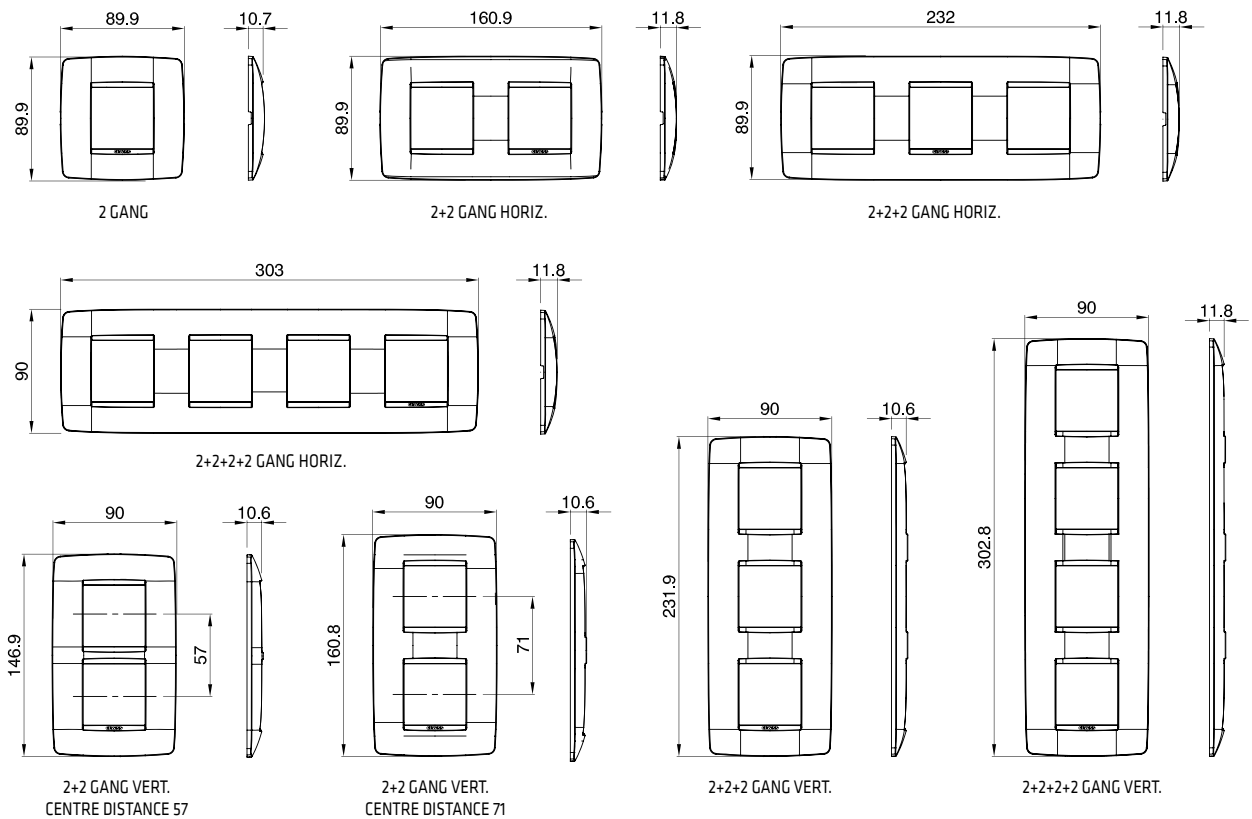
Code	Max. dischargeable energy	Maximum discharge current	No. SYSTEM modules	Pack Carton
GW 20 423	75 J	8 kA (8/20 µs)	1	1/14

APPLICATIONS: protection of electronic equipment (TV - HI-FI - computers, etc.) from overvoltage of atmospheric or manoeuvring origin that may be conveyed by the supply lines.

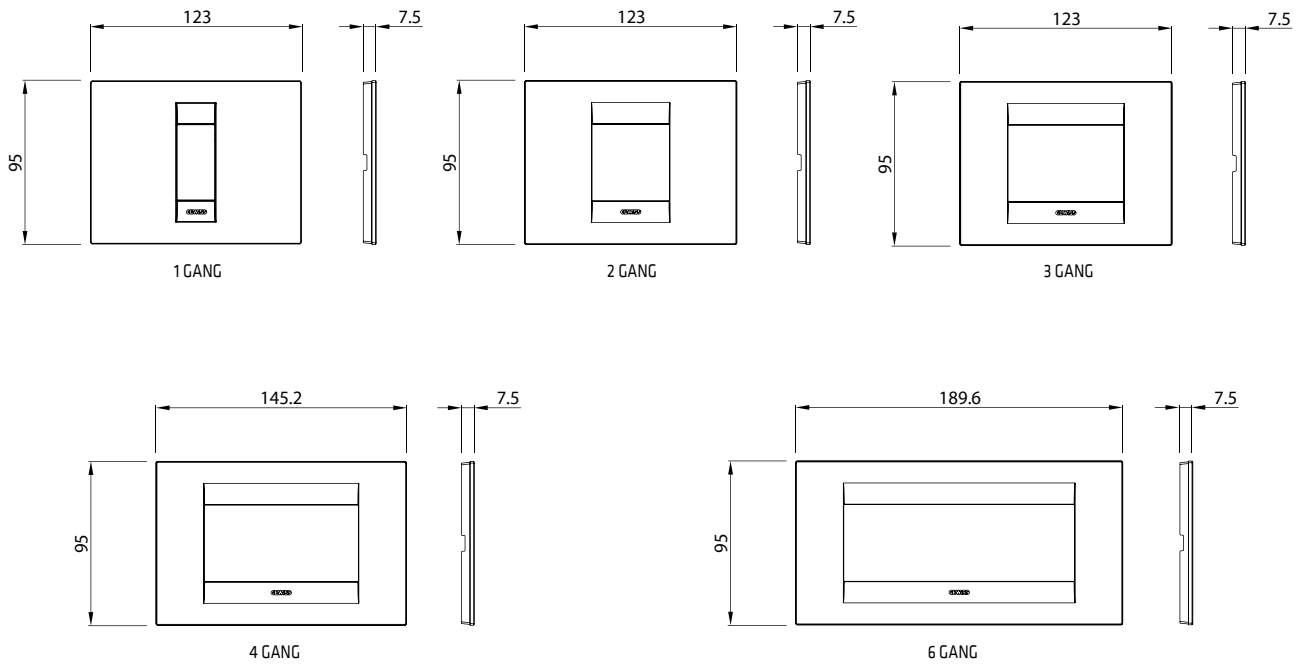
ONE PLATES



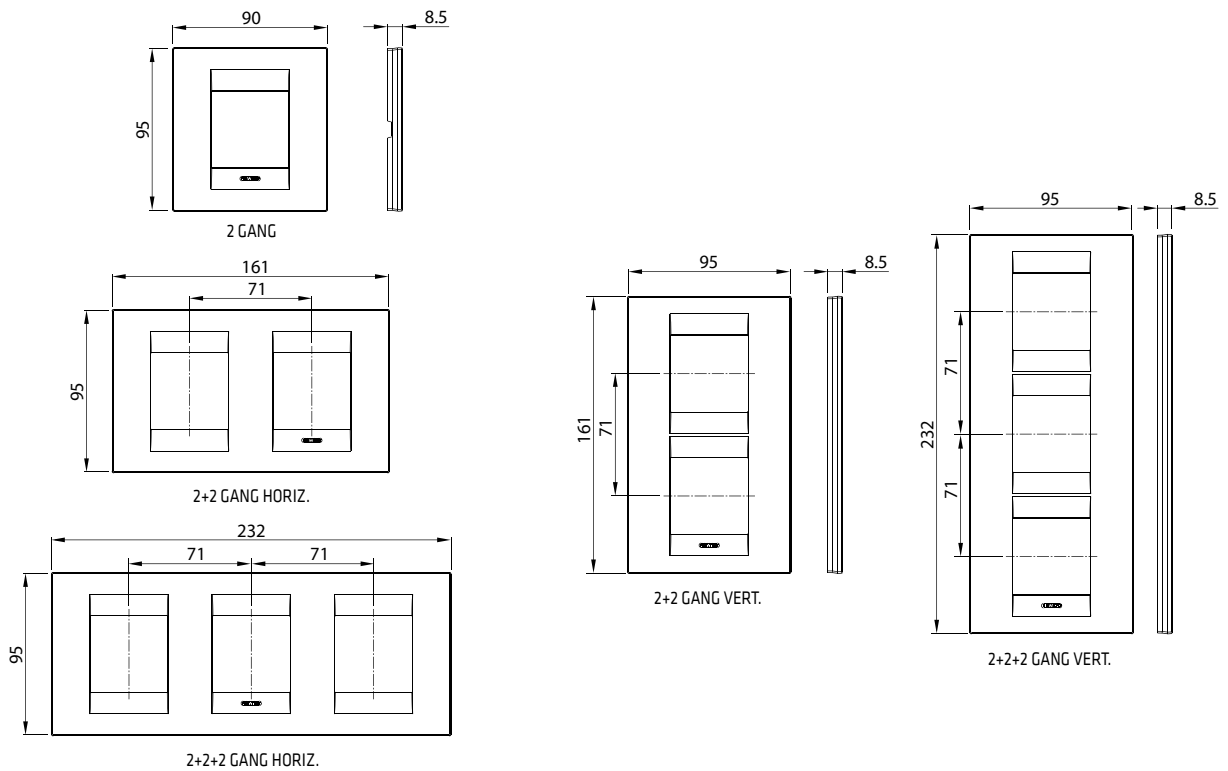
ONE INTERNATIONAL PLATES



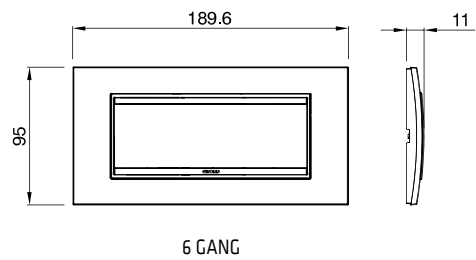
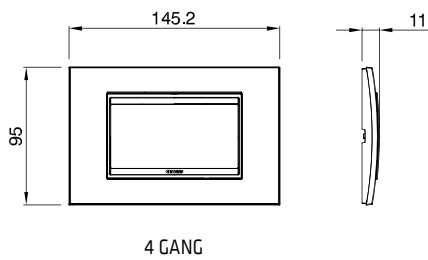
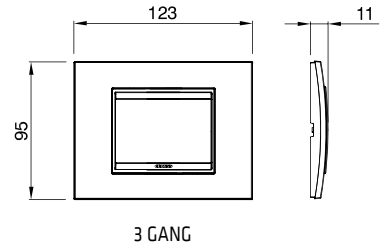
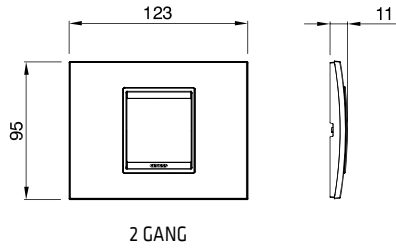
GEO PLATES



GEO INTERNATIONAL PLATES



LUX PLATES



DOMESTIC RANGES

LUX INTERNATIONAL PLATES

