

DATA - SYSTEM WHITE

TV-SAT SOCKETS



GW 20 396

COAXIAL TV-SAT SOCKETS (5-2400 MHZ) CLASS A SHIELDING - F FEMALE CONNECTOR

Code	Description	Type	Attenuation	No. SYSTEM modules	Pack Carton
GW 20 391	Direct	With passage of current	0 dB	1	15/30
GW 20 396	Feedthrough		5 dB	1	15/30
GW 20 392	Feedthrough		10 dB	1	15/30
GW 20 393	Feedthrough		14 dB	1	15/30
GW 20 277	Terminal resistance 75 ohm				50/200

CHARACTERISTICS: GW20391 permits carrying a remote power supply voltage/current and/or control signals towards the user port (max 24 V - 500 mA). GW20277 in combination with feedthrough socket-outlets allows you to make terminal socket-outlets.

APPLICATIONS: Socket-outlets suitable for return channel.

NOTES: the TV-SAT 5 dB GW20396 coaxial socket-outlet is defined with conditioned use, it is a special through socket-outlet and as such must be used, with the only difference that the user door (socket-outlet towards the user device) must always be closed with a load of 75 Ohm (TV, VCR, SAT receiver or 75-Ohm termination).



GW 20 386

COAXIAL TV SOCKETS (5-2400 MHZ) CLASS A SHIELDING - IEC MALE CONNECTOR Ø 9.5 MM

Code	Description	Type	Attenuation	No. SYSTEM modules	Pack Carton
GW 20 381	Direct	With passage of current	0 dB	1	15/30
GW 20 386	Feedthrough		5 dB	1	15/30
GW 20 382	Feedthrough		10 dB	1	15/30
GW 20 383	Feedthrough		14 dB	1	15/30
GW 20 277	Terminal resistance 75 ohm				50/200

CHARACTERISTICS: GW20381 permits carrying a remote power supply voltage/current and/or control signals towards the user port (max 24 V - 500 mA). GW20277 in combination with feedthrough socket-outlets allows you to make terminal socket-outlets.

APPLICATIONS: Socket-outlets suitable for return channel.

NOTES: the TV 5 dB GW20386 coaxial socket-outlet is defined with conditioned use, it is a special through socket-outlet and as such must be used, with the only difference that the user door (socket-outlet towards the user device) must always be closed with a load of 75 Ohm (TV, VCR, SAT receiver or 75-Ohm termination).



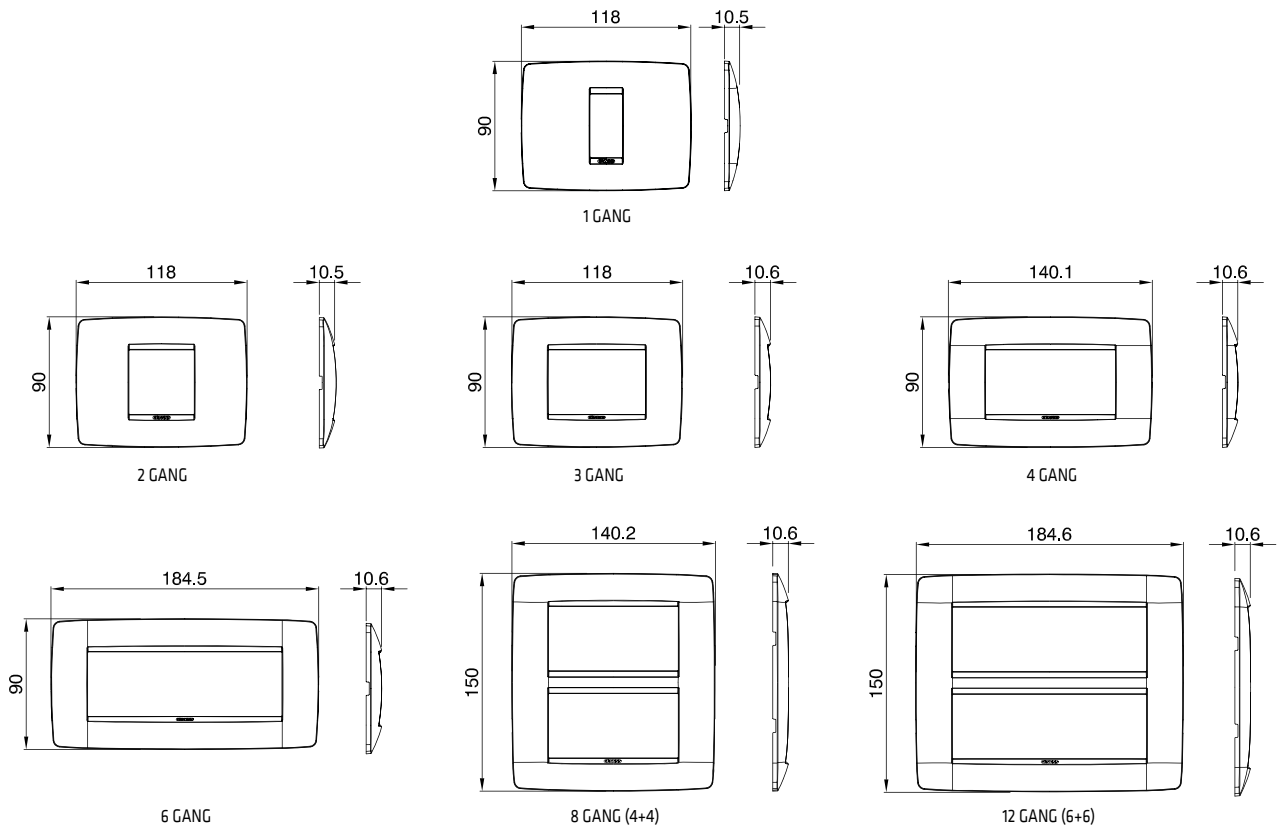
GW 20 229

RESISTIVE COAXIAL TV SOCKETS (40-860 MHZ) - IEC FEMALE CONNECTOR Ø 9.5MM

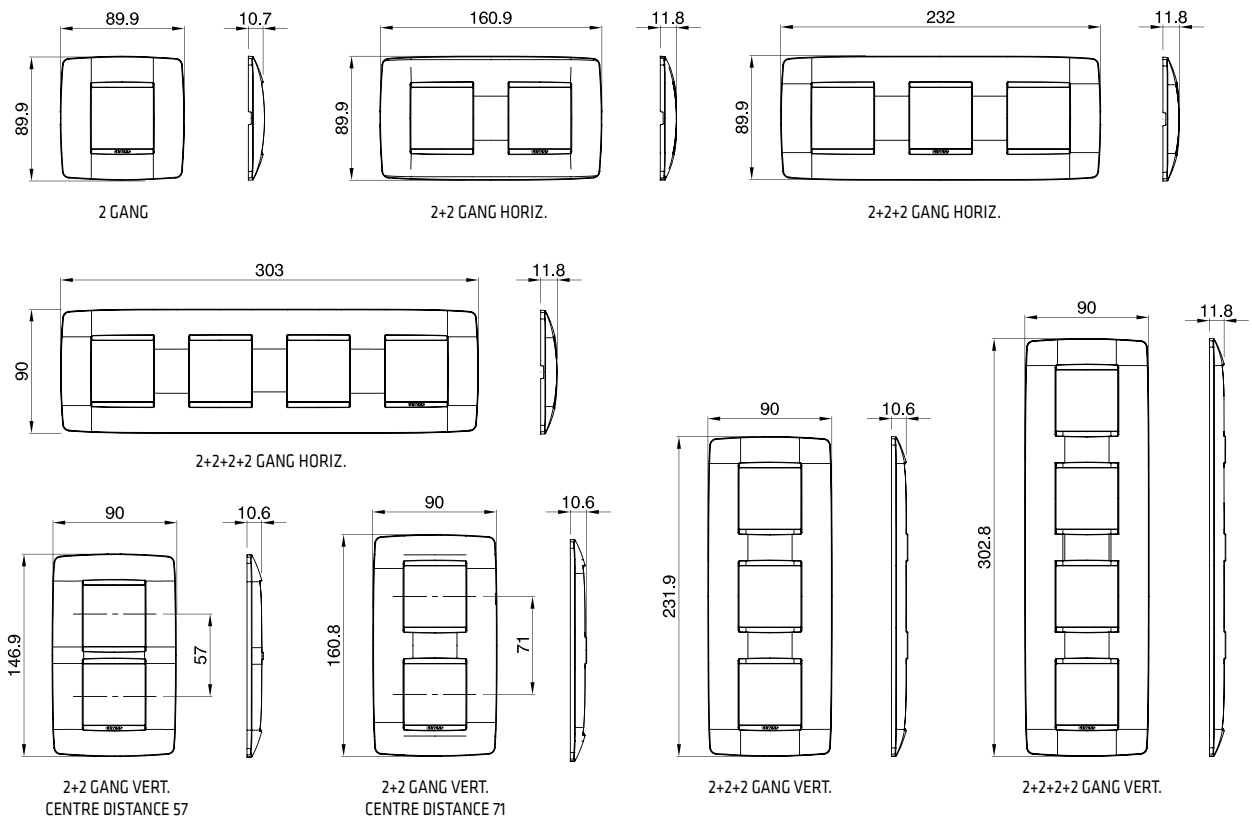
Code	Description	Attenuation	No. SYSTEM modules	Pack Carton
GW 20 228	Direct	0 dB	1	30/60
GW 20 229	Branched	20 dB	1	30/60
GW 20 230	Terminated - 75 ohm	20 dB	1	30/60

Items designated solely for export to a limited number of countries outside of the European Union or countries applying to become part of the European Free Trade Area. Contact Gewiss Customer Service to check the product meets the regulations of the country concerned before importing it.

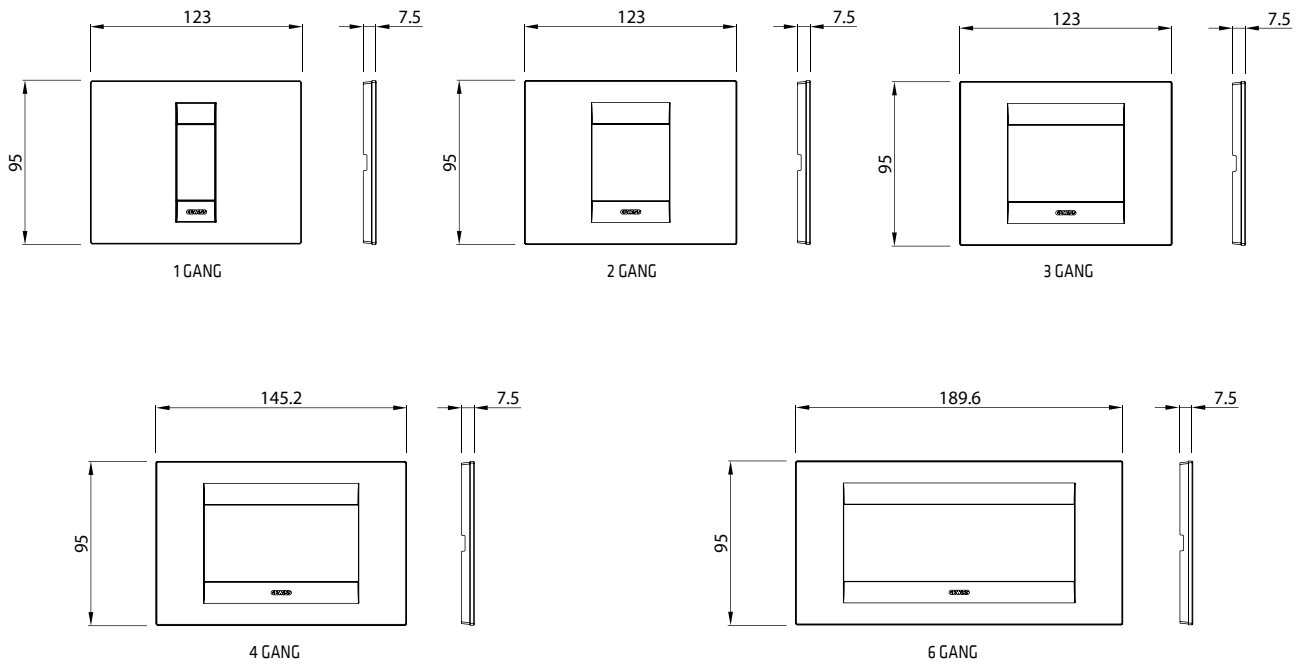
ONE PLATES



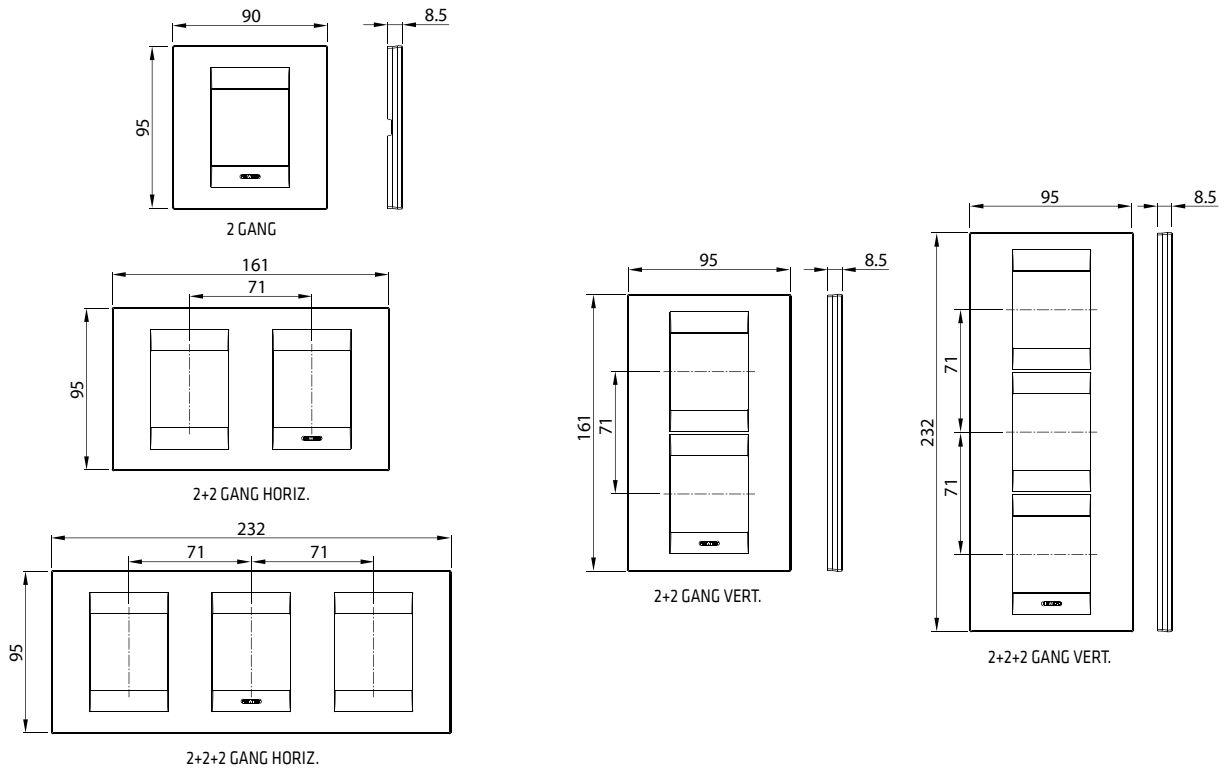
ONE INTERNATIONAL PLATES



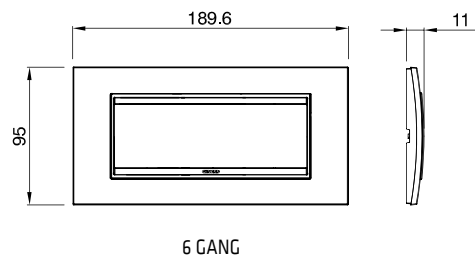
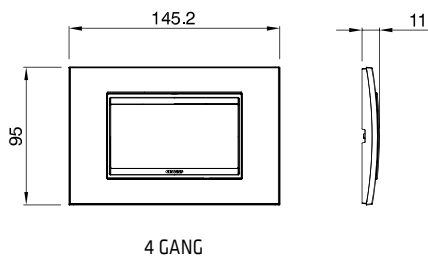
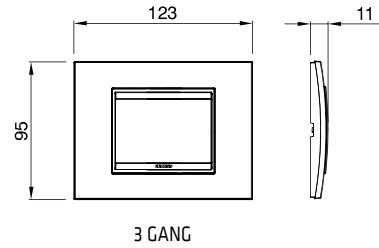
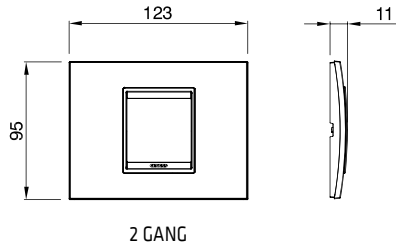
GEO PLATES



GEO INTERNATIONAL PLATES



LUX PLATES



DOMESTIC RANGES

LUX INTERNATIONAL PLATES

