

System

POWER - SYSTEM WHITE

SOCKET-OUTLETS - ITALIAN/GERMAN STANDARD



GW 20 203

ITALIAN STANDARD SOCKET-OUTLETS - 250V AC

Code	Description	Type	For plug pins	No. SYSTEM modules	Pack Carton
GW 20 201	2P+E - 10A	P11	Ø 4 mm	1	80/160
GW 20 203	2P+E - 16 A Dual amperage	P17-11	Ø 4 / 5 mm	1	80/320

CHARACTERISTICS: with safety shields.



GW 20 205

ITALIAN/GERMAN STANDARD SOCKET-OUTLETS - 250V AC

Code	Description	Earth pit	Type	For plug pins	No. SYSTEM modules	Pack Carton
GW 20 205	2P+E - 16A	Side and central	P30	Ø 4 / 4.8 mm	2	30/60
GW 20 246	2P+E - 16 A Dual amperage	Side and central	P40	Ø 4 / 4.8 / 5 mm	2	30/120

CHARACTERISTICS: with safety shields.



GW 20 291

ITALIAN STANDARD DUAL SOCKET-OUTLET - 250V AC

Code	Description	Type	For plug pins	Input	No. SYSTEM modules	Pack Carton
GW 20 291	2x2P+E 16A Dual amp.	P17-11	Ø 4 / 5 mm	1x16 A	2	30/60

CHARACTERISTICS: with safety shields. The wiring is carried out via 3 terminals that power the socket-outlets, without using U-bolts.

SOCKET-OUTLETS - INTERNATIONAL STANDARD



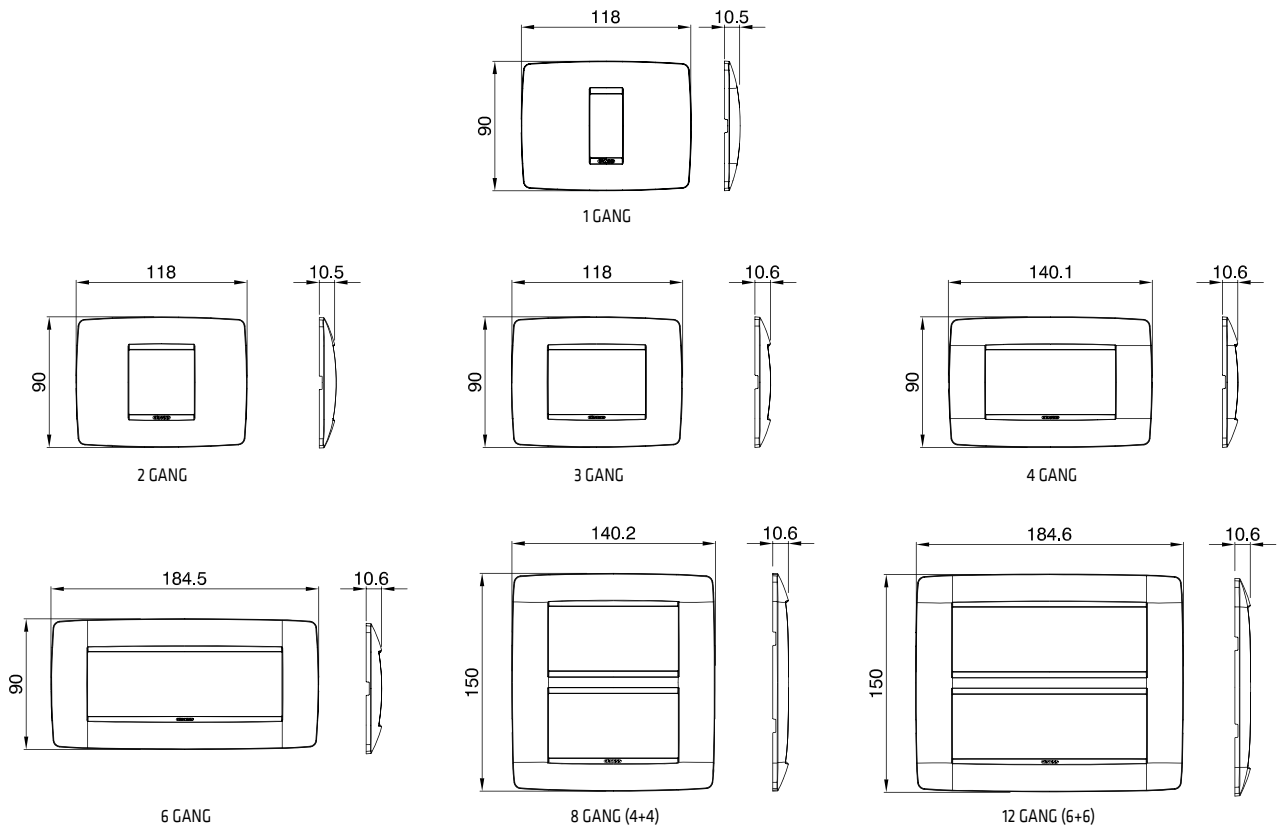
GW 20 265

GERMAN STANDARD SOCKET-OUTLET - 250V AC

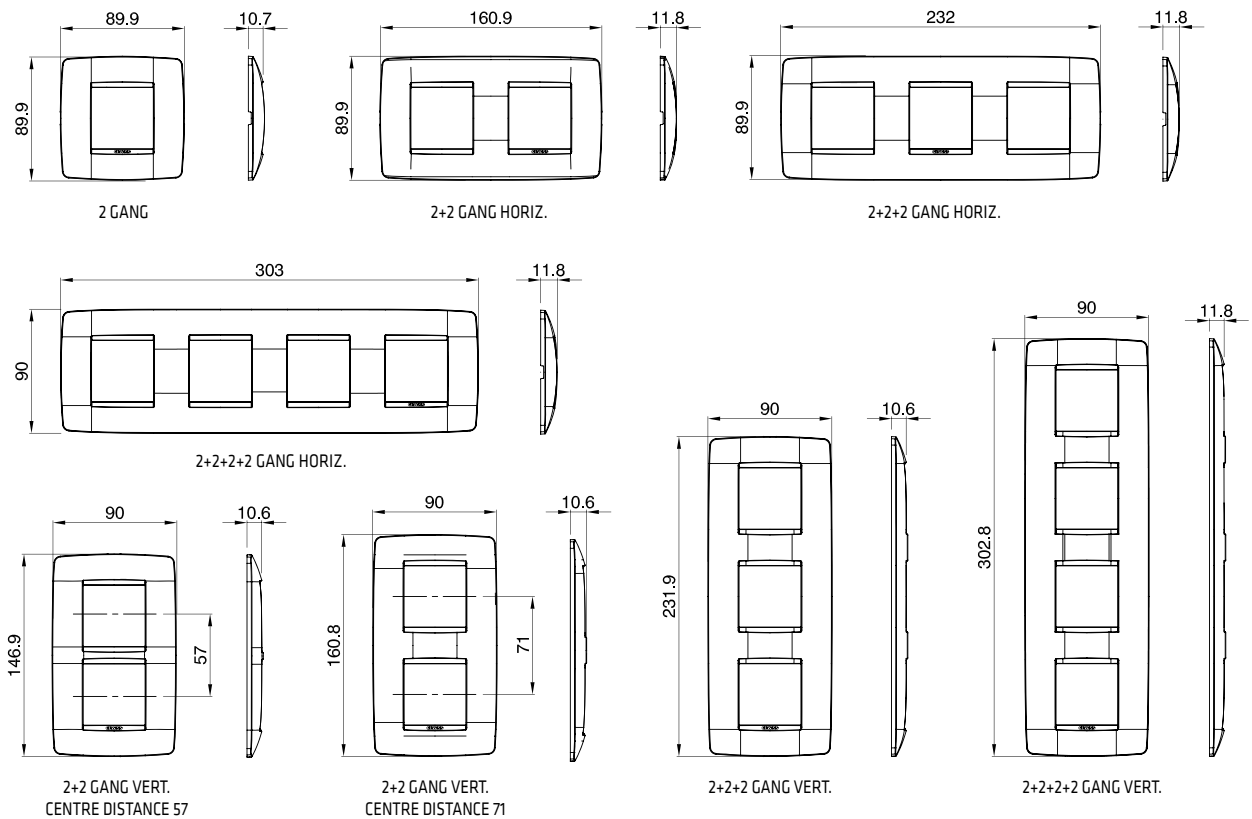
Code	Description	For plug pins	No. SYSTEM modules	Pack Carton
GW 20 265	2P+E - 16A	Ø 4.8 mm	2	30/60

CHARACTERISTICS: with safety shields.

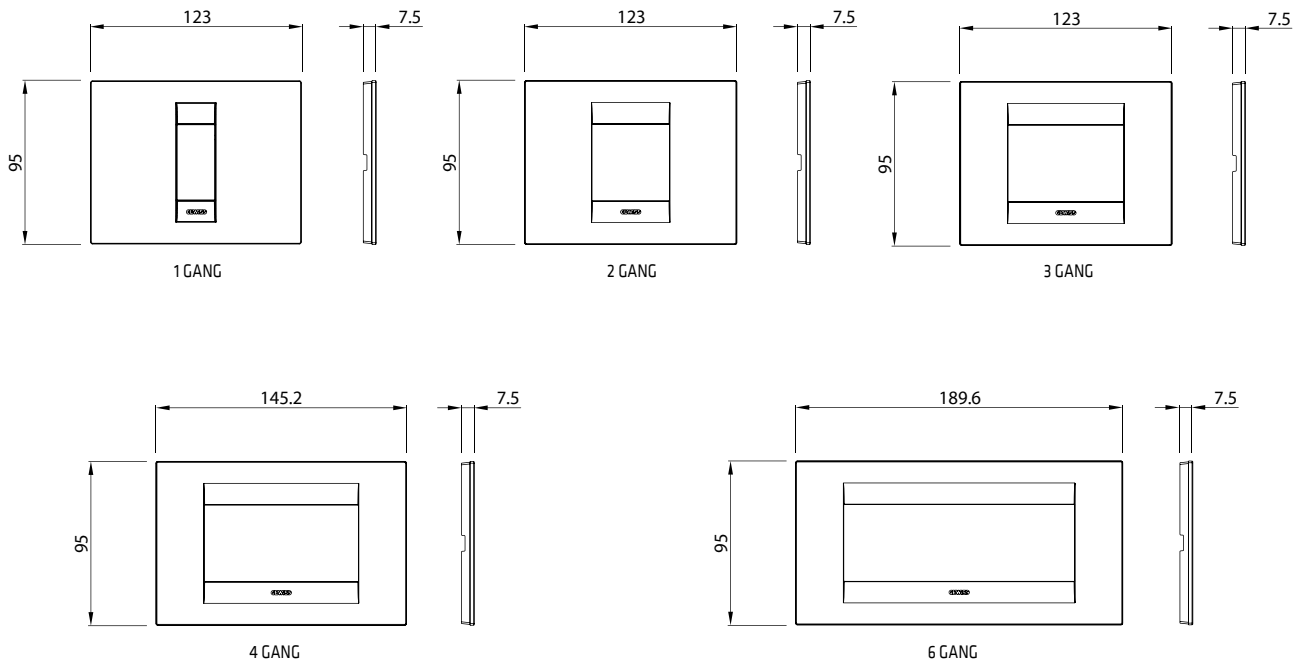
ONE PLATES



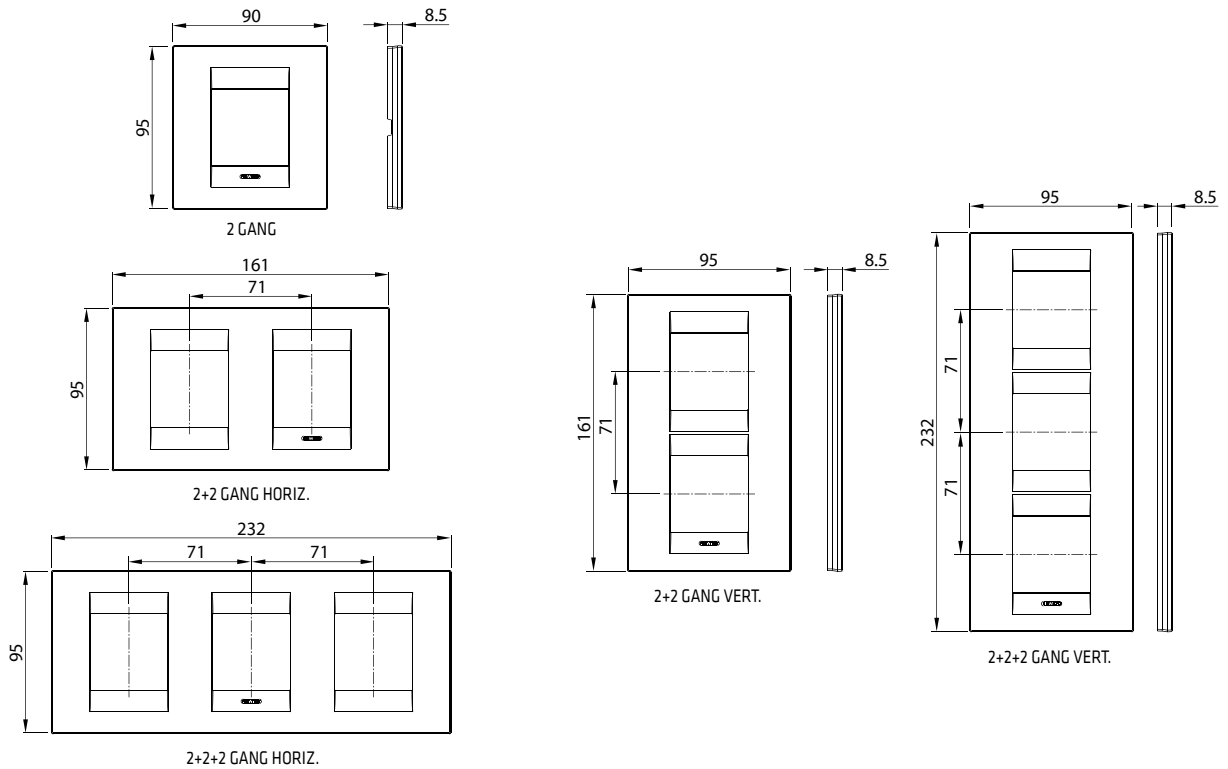
ONE INTERNATIONAL PLATES



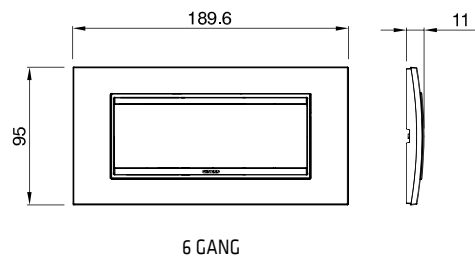
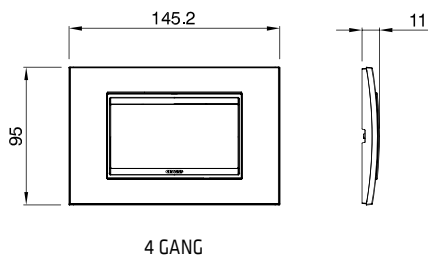
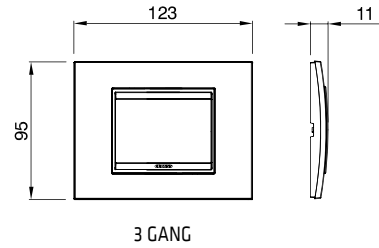
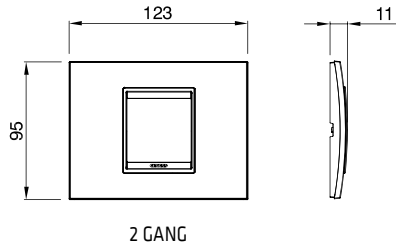
GEO PLATES



GEO INTERNATIONAL PLATES



LUX PLATES



DOMESTIC RANGES

LUX INTERNATIONAL PLATES

