



GW 16 966 CN

ICE TOUCH KNX - BLACK

Code	Description	For support codes	Pack Carton
GW 16 962 CN	2 symbols	GW16803	1
GW 16 964 CN	4 symbols	GW16803	1
GW 16 966 CN	6 symbols	GW16803	1

CHARACTERISTICS: plates in glass and with a glossy finish, used to complete the touch push-button panel modules - KNX (GW10746) or Easy (GW10741).



GW 16 966 CT

ICE TOUCH KNX - TITANIUM

Code	Description	For support codes	Pack Carton
GW 16 962 CT	2 symbols	GW16803	1
GW 16 964 CT	4 symbols	GW16803	1
GW 16 966 CT	6 symbols	GW16803	1

CHARACTERISTICS: plates in glass and with a glossy finish, used to complete the touch push-button panel modules - KNX (GW10746) or Easy (GW10741).

CONTACT INTERFACES



GW 90 721 A

KNX 2- AND 4-CHANNEL CONTACTS INTERFACES

Code	No. input channels	No. output channels	Max cable length	Dimensions LxHxD (mm)	Pack Carton
GW 90 727	2	2	10 m	38x32x14	1
GW 90 721 A	4	4	10 m	38x32x14	1

CHARACTERISTICS: BUS interfaces for connecting 2 or 4 push-buttons or conventional potential-free contacts. The reading voltage (SELV) is generated inside the device. For each input, an output is available for powering a low absorption LED (lower than 1mA such as, for example, GW10886, GW10887, GW10888, GW10889, GW10890) for displaying the status of the load commanded. To be configured with ETS software.

APPLICATIONS: for sending ON-OFF commands with fronts management, switching commands and sequences, brief / prolonged contact closure management, timed commands, priority commands, commands for managing roller shutters (single or double push-button), dimmers (single or double push-button), scenes (storage and activation), impulse count, output LED control, acquisition of temperature values via NTC sensor (GW90721A only). Installation in flush-mounting box, junction boxes or embedded in the blanking modules GW10571, GW12571, GW14571. The slot on the plastic casing also allows it to be fixed with screws.

NOTES: equipped with coupling terminal for connection to the BUS, and unshielded cables for connecting the inputs, of length 30 cm extendible to 10m with unshielded twisted cable.



GW 90 728

KNX 8-CHANNEL (4 DIGITAL + 4 UNIVERSAL) INPUT MODULE - IP20 - DIN RAIL MOUNTING

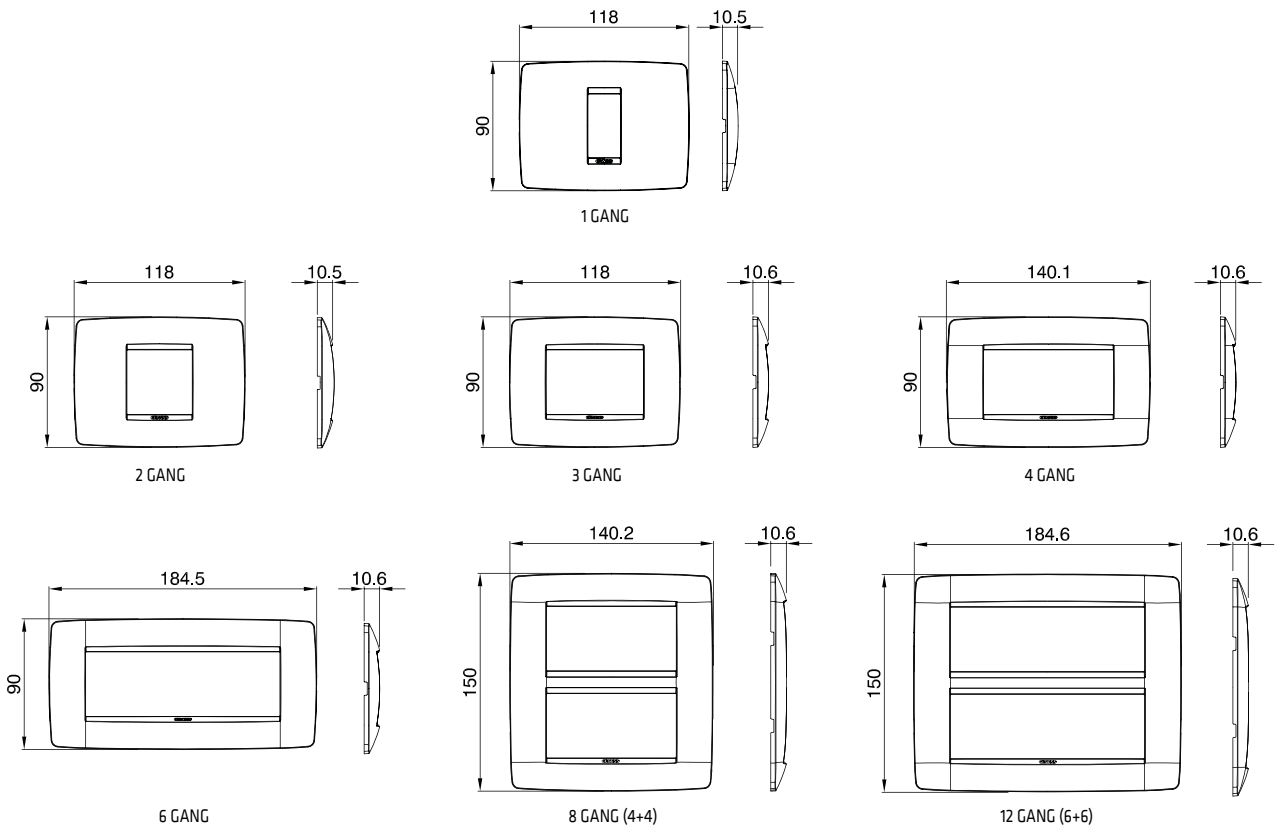
Code	No. input channels	No. universal input channels	No. output channels	No. DIN modules	Pack Carton
GW 90 728	4	4	4	4	1

CHARACTERISTICS: the module has 4 digital inputs for push-buttons or conventional potential-free contacts and 4 universal input channels. The universal input channels can be configured as inputs for push-buttons or conventional potential-free contacts, analogue inputs (0..20mA, 4..20mA, 0..10V, 0..1V), digital inputs for measurement devices with S0 interface, inputs for NTC probe sensors that can be used for controlling the same number of thermoregulation areas. The module is provided also with 4 PWM outputs for LEDs (3.3V) for signalling the status of the loads. The device has 8 amber LEDs for signalling the status of the inputs. To be configured with ETS software.

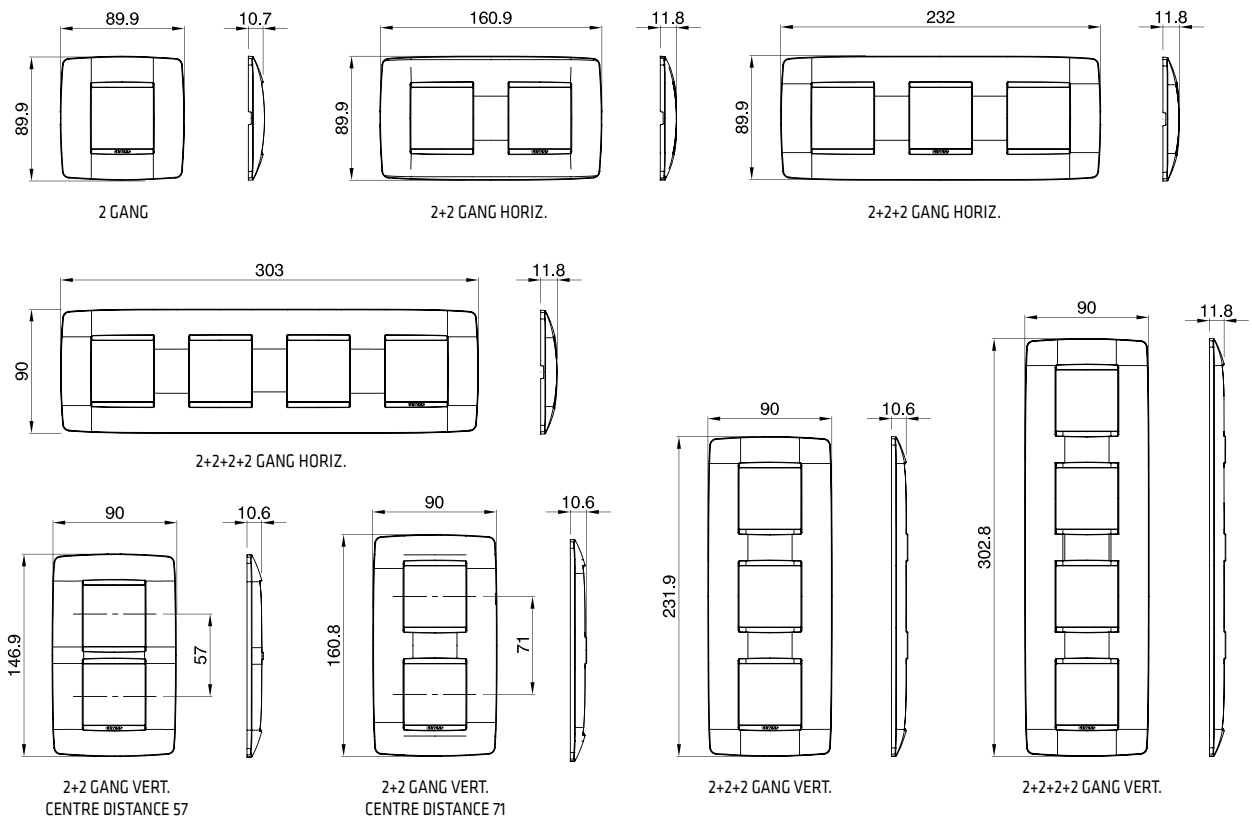
APPLICATIONS: the input channels are used for sending ON-OFF commands with fronts management, switching commands and sequences, brief / prolonged contact closure management, timed commands, priority commands, thermoregulation commands, commands for managing roller shutters (single or double push-button), dimmers (single or double push-button), scenes (storage and activation), impulse count.

NOTES: equipped with coupling terminal for connection to BUS (with protection lid).

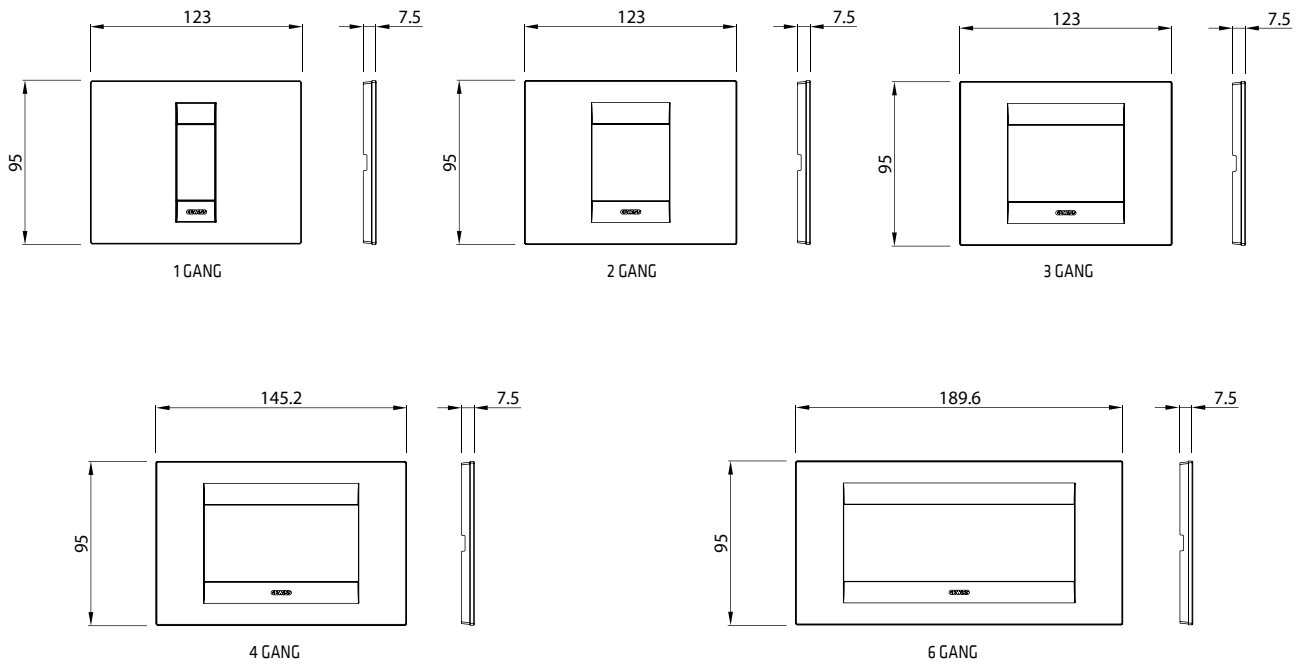
ONE PLATES



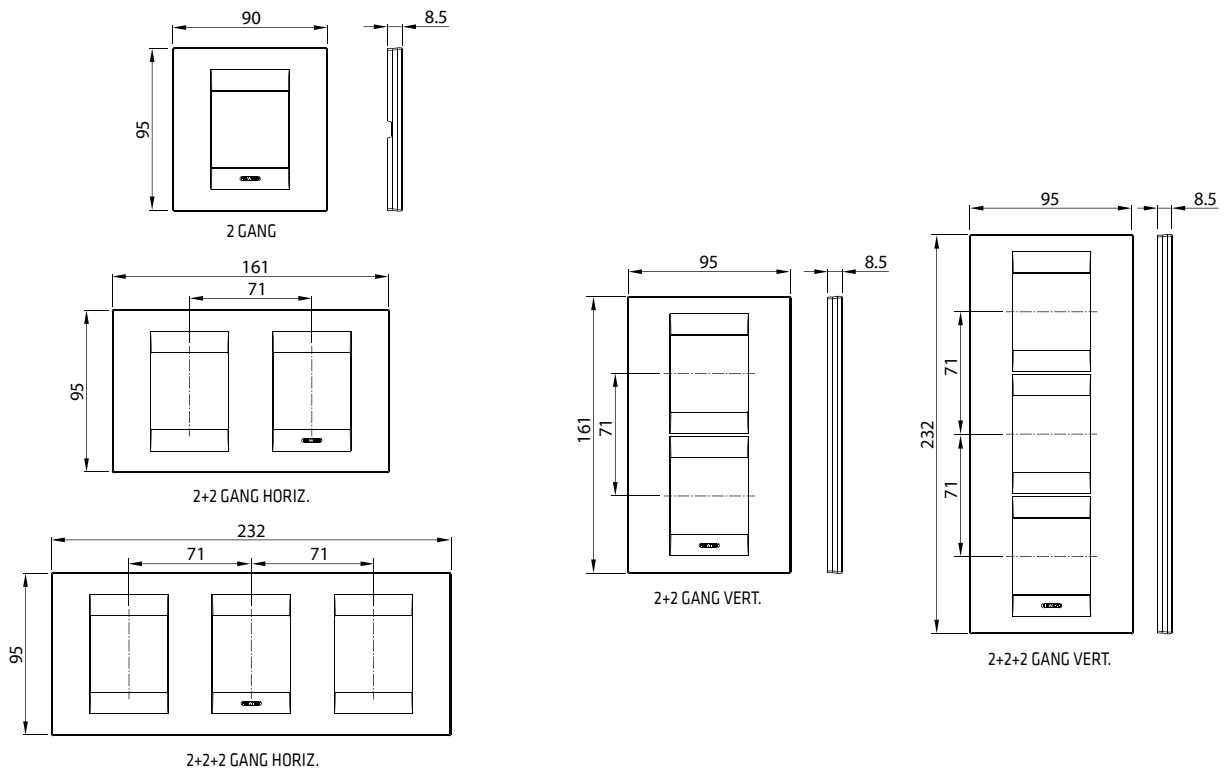
ONE INTERNATIONAL PLATES



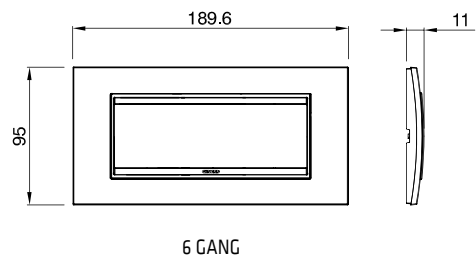
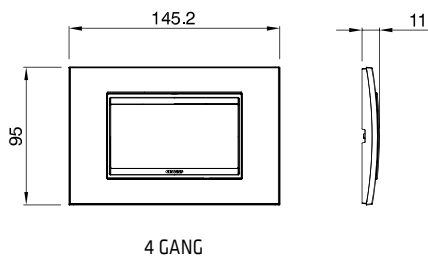
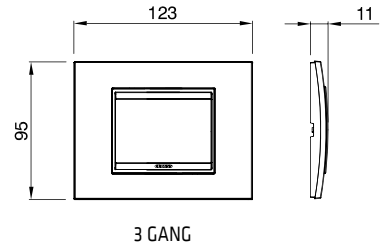
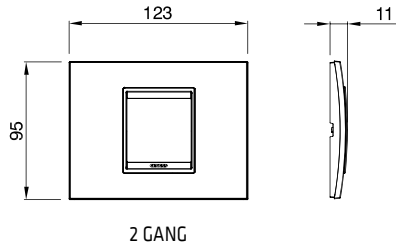
GEO PLATES



GEO INTERNATIONAL PLATES



LUX PLATES



DOMESTIC RANGES

LUX INTERNATIONAL PLATES

