



GW 16 946 CT

ICE TOUCH KNX - TITANIUM

Code	Description	For support codes	Pack Carton
GW 16 946 CT	6 touch areas	GW16803	1

CHARACTERISTICS: plates made in glass with a glossy finish, used to complete the touch push-button panel modules - KNX (GWA942) or Easy (GWA947). The plates have 6 capacitive touch areas.

NOTES: the symbols shown in the picture are indicative only: they can be personalised using the set of adhesive icons included in the touch push-button module package. The code of the plate is unique and independent from the number of channels that you want to activate (from 1 to 6).



GW 16 950

TEST PLATE FOR KNX AND EASY 6-CHANNEL TOUCH PUSH-BUTTON PANEL MODULES WITH INTERCHANGEABLE SYMBOLS

Code	Description	For support codes	Pack Carton
GW 16 950	Test plate	GW16803	12

CHARACTERISTICS: plate in transparent plastic, with 6 capacitive touch areas.

NOTES: to be used for configuring the touch push-button panel modules - KNX (GWA942) or Easy (GWA947) - if the ICE touch KNX glass plates are not available in the system.



GW 10 746

KNX 6-CHANNEL TOUCH PUSH-BUTTON PANEL MODULE

Code	No. channels	No. Chorus modules	Pack Carton
GW 10 746	6	3	1

CHARACTERISTICS: KNX module with 6 independent channels, with touch commands (capacitive) and temperature sensor. Each channel is associated with an amber/blue LED for night-time backlight or to show the status of the commanded load. To be completed with Italian standard ICE Touch KNX glass plate (code GW16962CB, GW16964CB, GW16966CB, GW16962CN, GW16964CN, GW16966CN, GW16962CT, GW16964CT, GW16966CT). To be configured with ETS software.

APPLICATIONS: allows you to send ON-OFF commands with fronts management, switchover commands, timed commands, commands for roller shutter management (single or double push-button), dimmers (single or double push-button) and scenes (memorisation and activation).

NOTES: equipped with coupling terminal for connection to BUS (with protection lid).



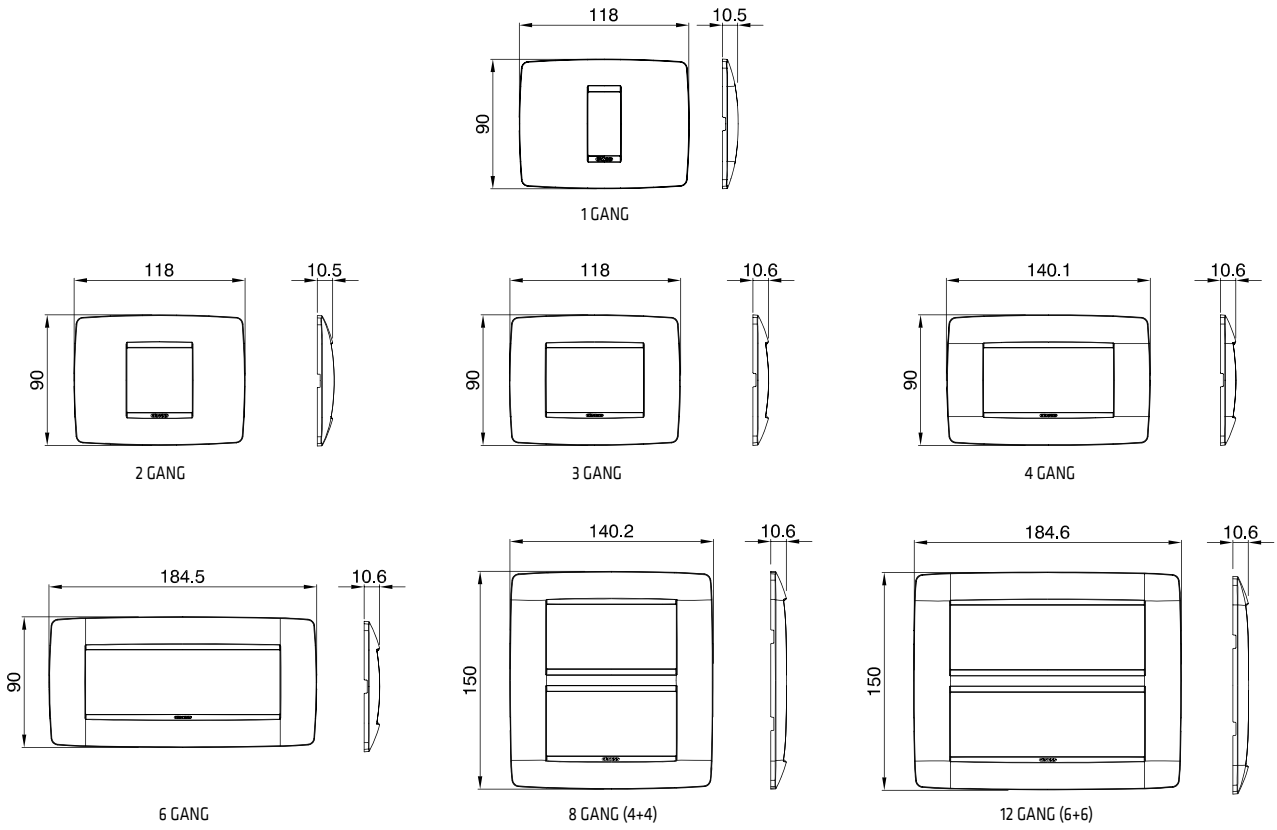
GW 16 966 CB

ICE TOUCH KNX - WHITE

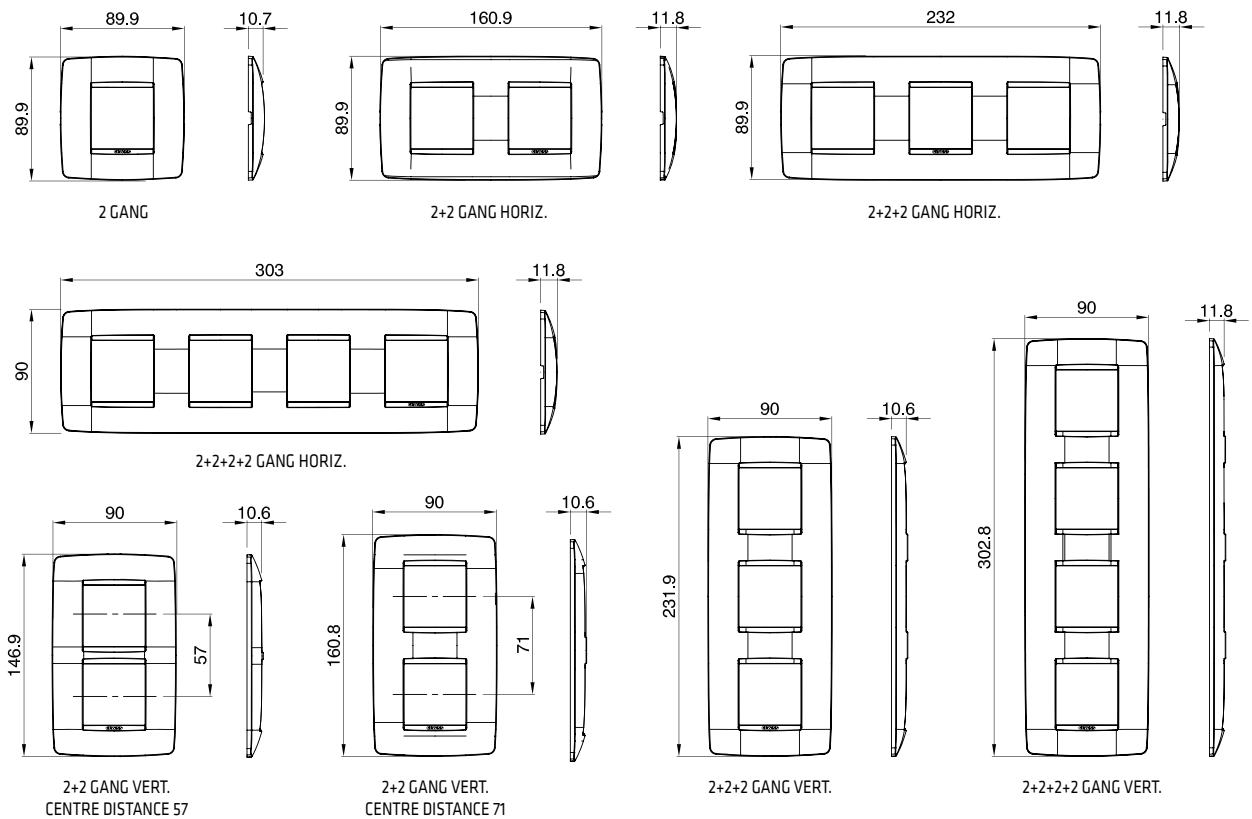
Code	Description	For support codes	Pack Carton
GW 16 962 CB	2 symbols	GW16803	1
GW 16 964 CB	4 symbols	GW16803	1
GW 16 966 CB	6 symbols	GW16803	1

CHARACTERISTICS: plates in glass and with a glossy finish, used to complete the touch push-button panel modules - KNX (GW10746) or Easy (GW10741).

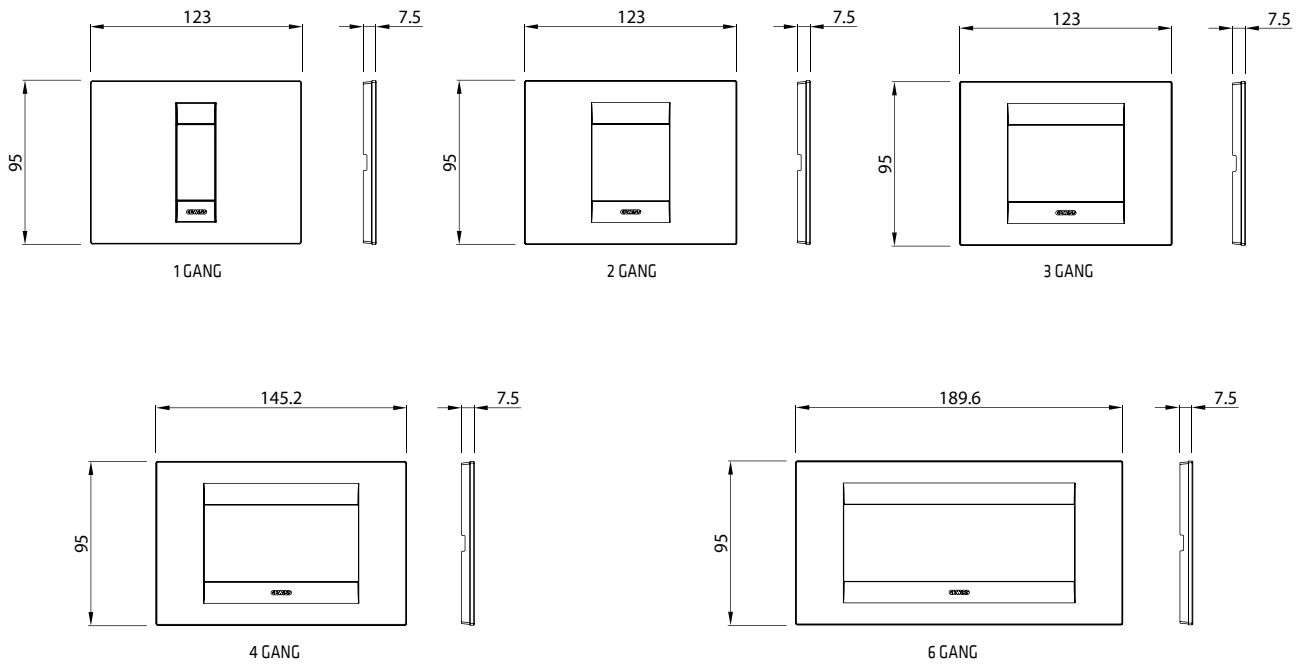
ONE PLATES



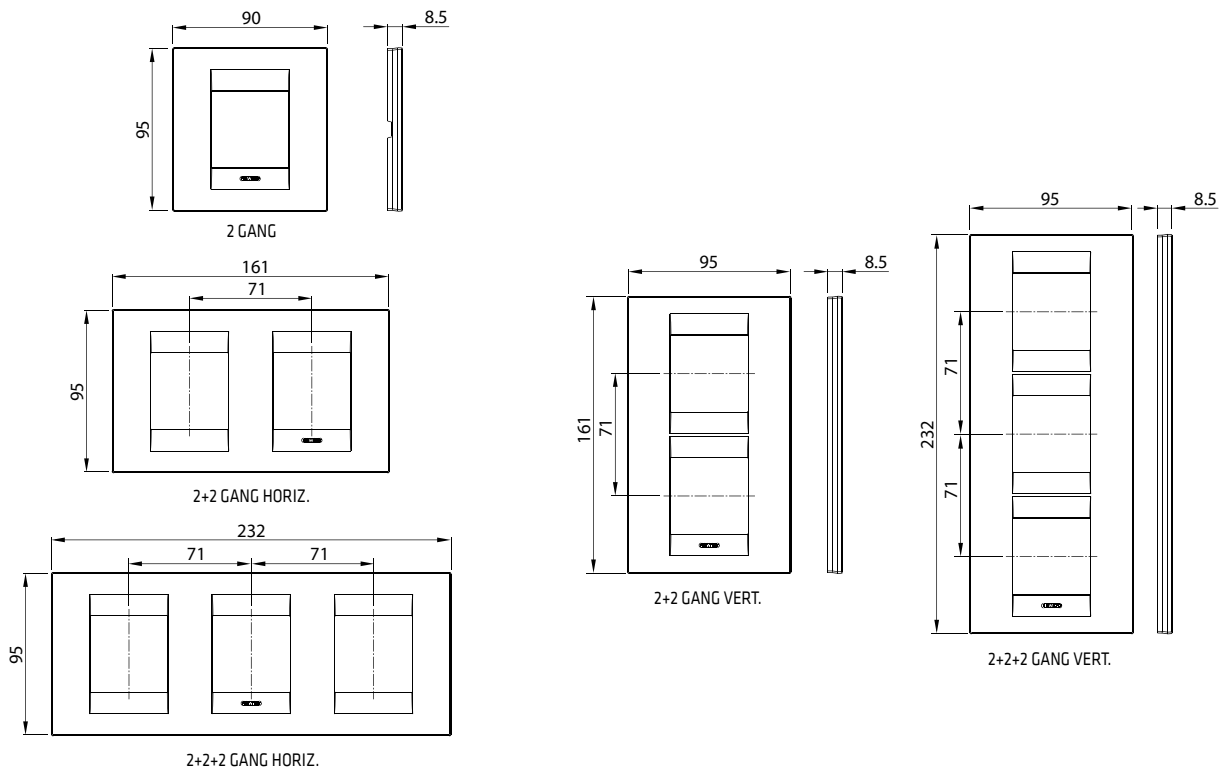
ONE INTERNATIONAL PLATES



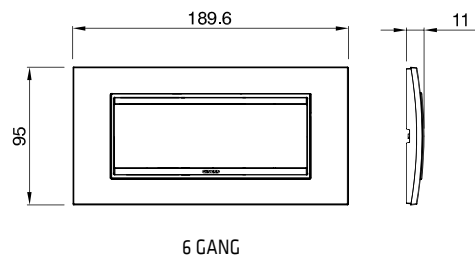
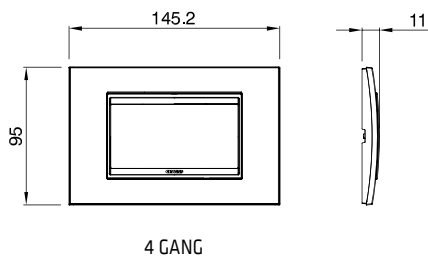
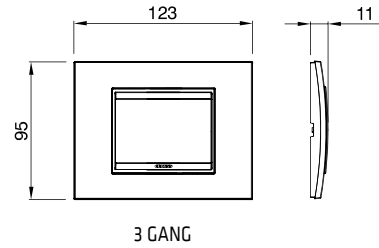
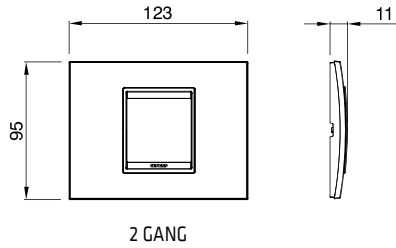
GEO PLATES



GEO INTERNATIONAL PLATES



LUX PLATES



DOMESTIC RANGES

LUX INTERNATIONAL PLATES

