



GW 24 101 PM

FLUSH-MOUNTING BOX FOR PLASTERBOARD WALLS

Code	For panels	Outer dim. LxHxD (mm)	Characteristics	Pack Carton
GW 24 101 PM	Master ICE 10"	306x238x80	Halogen free	1/14

NOTES: with fixing tabs on a metallic structure for lightweight and plasterboard walls.

COMMAND DEVICES

TOUCH PUSH-BUTTON PANELS



GW A9 421

KNX 6-CHANNEL TOUCH PUSH-BUTTON PANEL MODULE WITH INTERCHANGEABLE SYMBOLS

Code	No. channels	No. Chorus modules	Pack Carton
GW A9 421	6	3	1

CHARACTERISTICS: KNX module with 6 independent channels. Each channel is associated with an RGB night-time backlit LED or a status display LED for the commanded load. Each channel can be personalised using a set of adhesive icons. To be completed with the glass ICE Touch KNX plate (code GW16946CB, GW16946CN, GW16946CT). The device's touch commands can only be activated with the plate mounted: therefore, to configure the module the ICE Touch KNX plates or alternative the test plate (GW16950) must be used. To be configured with ETS software.

APPLICATIONS: used for sending ON-OFF commands with fronts management, switching commands and sequences, timed commands, multiple pressing, priority commands, commands for managing roller shutters (single or double push-button), dimmers (single or double push-button) and scenes (storage and activation).

NOTES: equipped with coupling terminal with protection lid, for connection to BUS, and with set of icons to personalise the functions of each channel.



GW 16 946 CB

ICE TOUCH KNX - WHITE

Code	Description	For support codes	Pack Carton
GW 16 946 CB	6 touch areas	GW16803	1

CHARACTERISTICS: plates made in glass with a glossy finish, used to complete the touch push-button panel modules - KNX (GWA9421) or Easy (GWA9471). The plates have 6 capacitive touch areas.

NOTES: the symbols shown in the picture are indicative only; they can be personalised using the set of adhesive icons included in the touch push-button module package. The code of the plate is unique and independent from the number of channels that you want to activate (from 1 to 6).



GW 16 946 CN

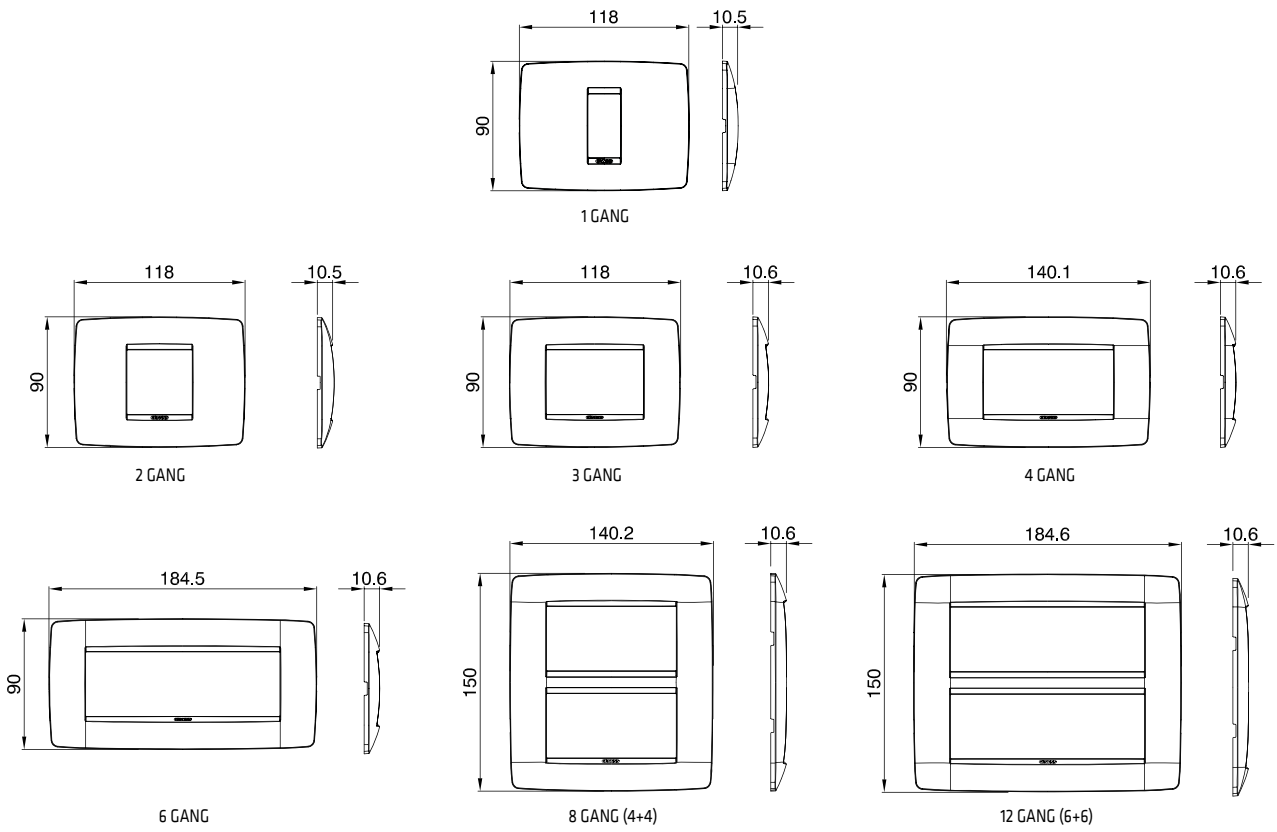
ICE TOUCH KNX - BLACK

Code	Description	For support codes	Pack Carton
GW 16 946 CN	6 touch areas	GW16803	1

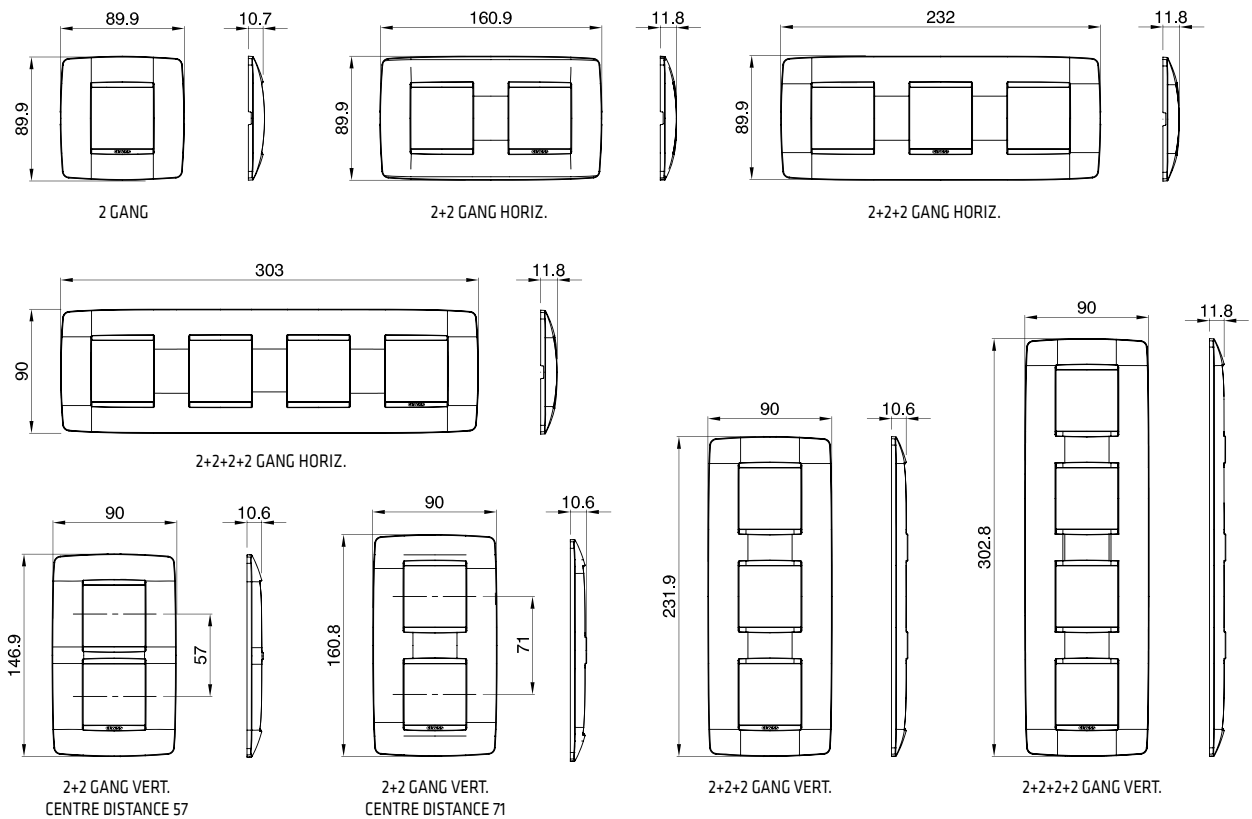
CHARACTERISTICS: plates made in glass with a glossy finish, used to complete the touch push-button panel modules - KNX (GWA9421) or Easy (GWA9471). The plates have 6 capacitive touch areas.

NOTES: the symbols shown in the picture are indicative only; they can be personalised using the set of adhesive icons included in the touch push-button module package. The code of the plate is unique and independent from the number of channels that you want to activate (from 1 to 6).

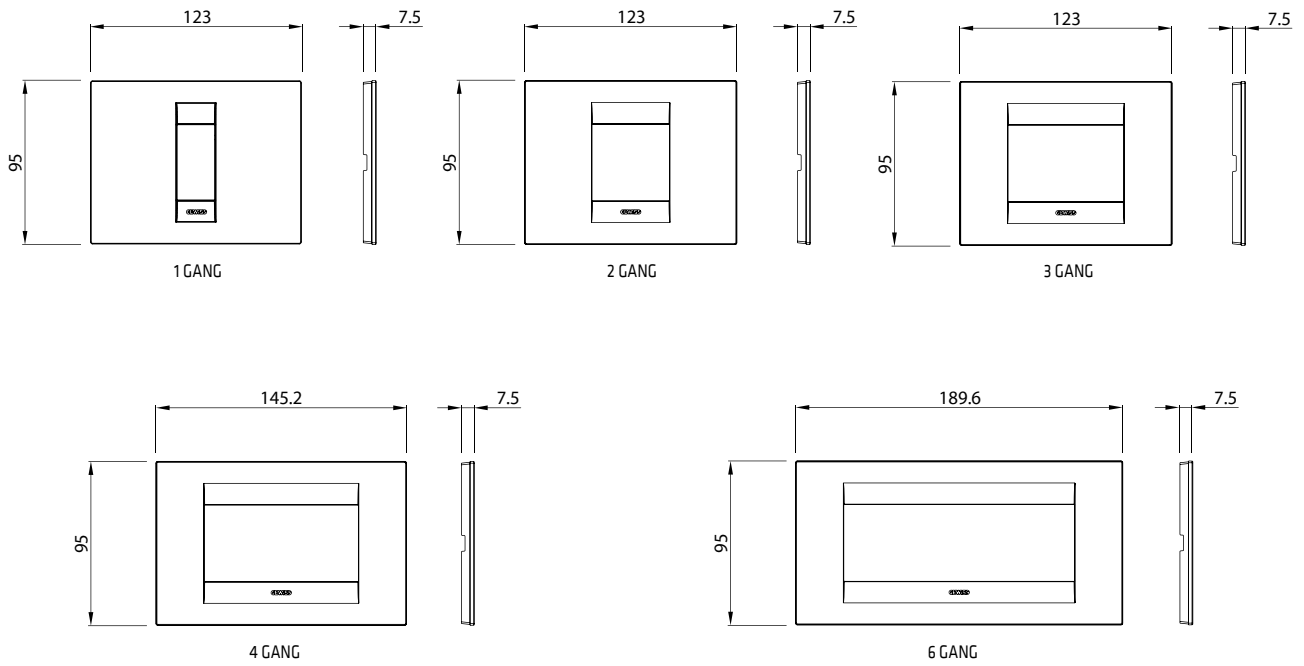
ONE PLATES



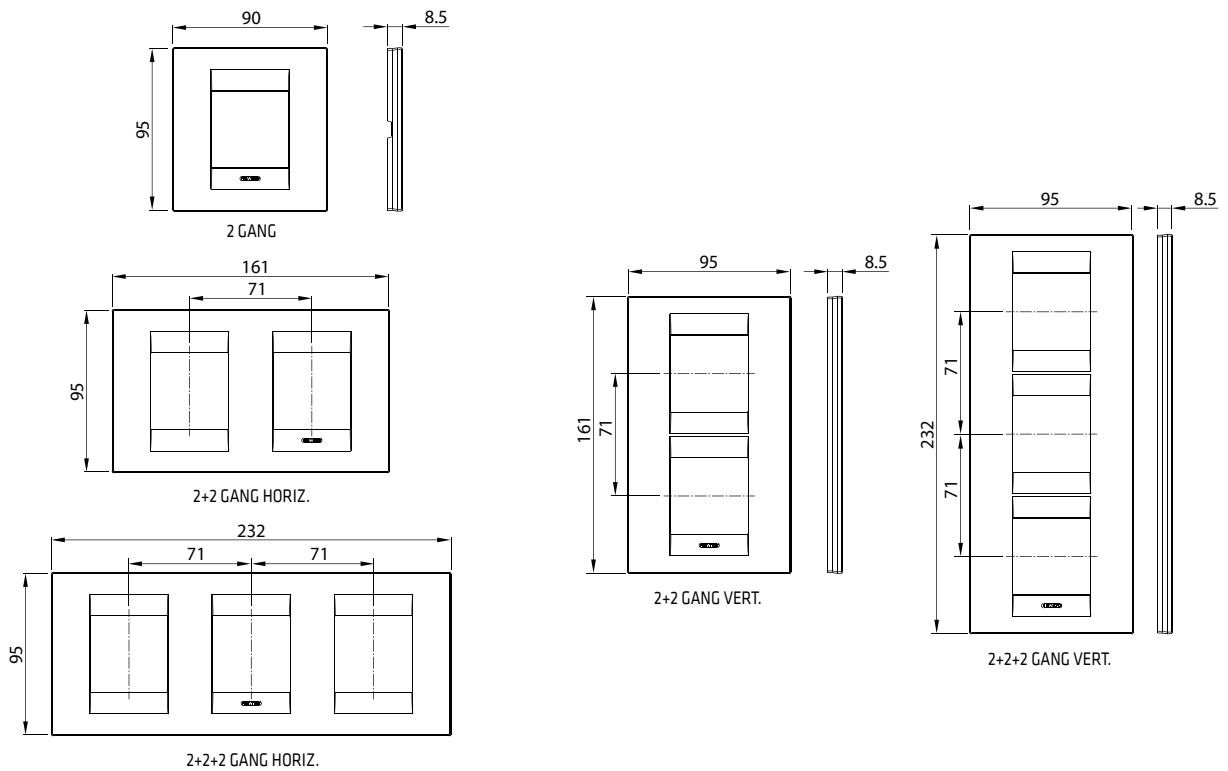
ONE INTERNATIONAL PLATES



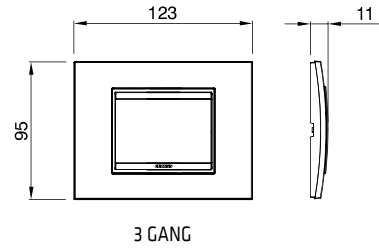
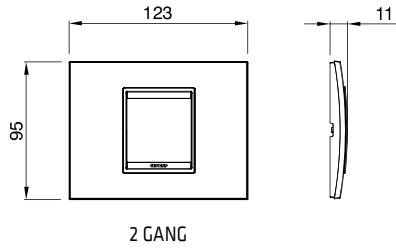
GEO PLATES



GEO INTERNATIONAL PLATES



LUX PLATES



DOMESTIC RANGES

LUX INTERNATIONAL PLATES

