



GW 16 873

PROTECTIVE COVERS FOR PAINTING, FOR CHORUS RANGE, ITALIAN STANDARD

Code	Description	Suitable for support	Colour	Pack Carton
GW 16 873	3 gang	GW16802, GW16803	Transparent	120/480
GW 16 874	4 gang	GW16804	Transparent	60/240
GW 16 876	6 gang	GW16806	Transparent	60/240

CHARACTERISTICS: total protection during painting and finishing operations.

NOTES: snap-in mounting to facilitate assembly and removal operations.



GW 16 841

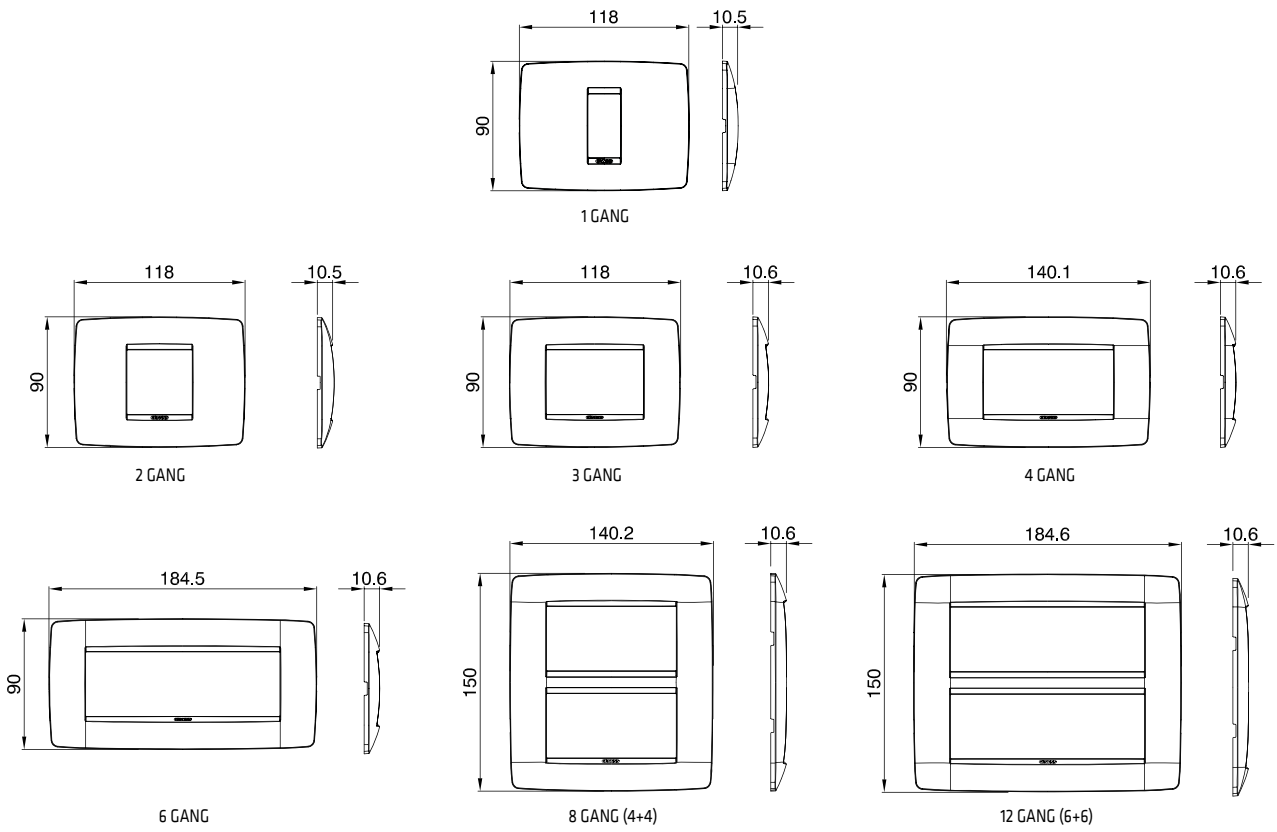
SUPPORTS FOR ASSEMBLING CHORUS DEVICES ON DIN EN 50022 RAIL

Code	Description	No. DIN modules	Pack Carton
GW 16 841	1 gang	1.5	5/300
GW 16 842	2 gang	3	5/150
GW 16 843	3 gang	4	5/50

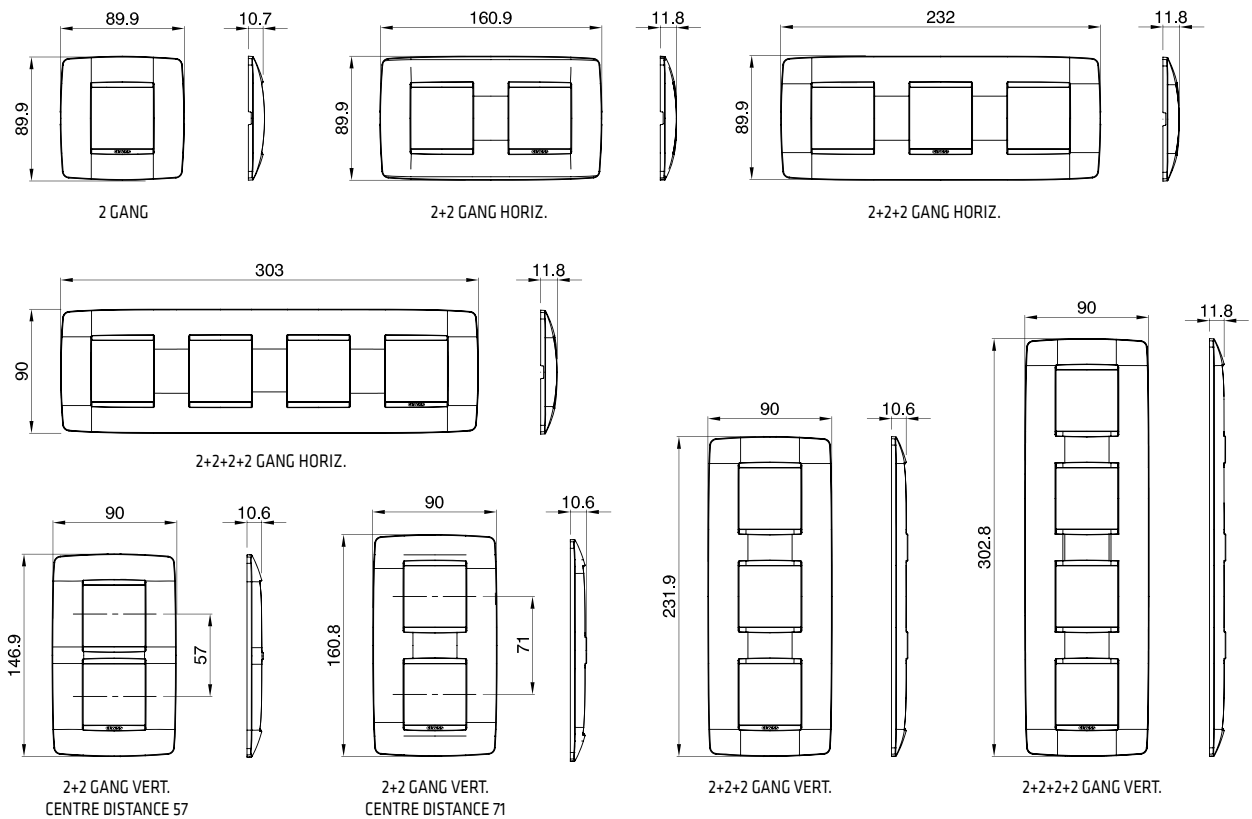
CHARACTERISTICS: manual release system for Chorus devices, without the need for tools.

NOTES: pay attention when using particularly deep devices (2P three-way switches, movement detectors and IR receivers, relays, German standard socket-outlets with front tightening, quick wiring terminals, British standard socket-outlets, interlocked switched socket-outlet, shaver socket-outlets, USB power supplies, miniature circuit breakers and residual current circuit breakers, anti black-out and emergency lamps, ringers and buzzers, thermostats and timed thermostats, programmers, water and gas detectors, timers, dimmers, touch commands, electronic push-buttons with interlock, KNX flush-mounting timed thermostats, etc.) as they may interfere with the DIN rail, preventing the correct passage of the wires.

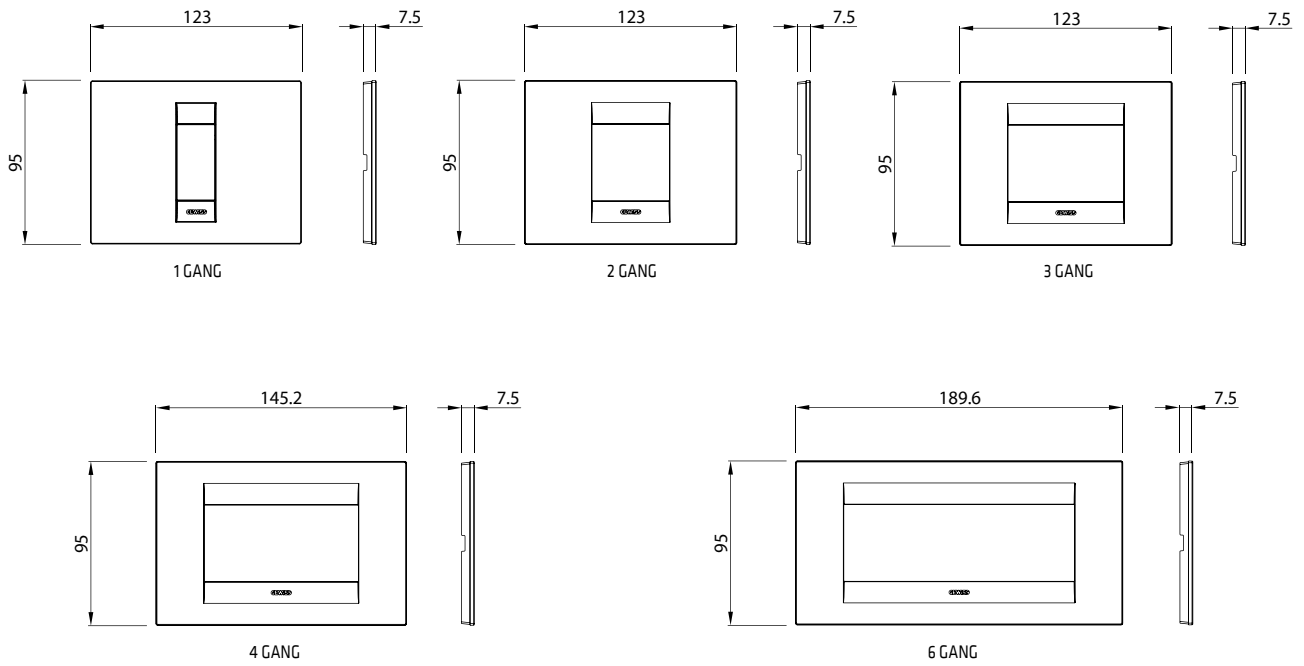
ONE PLATES



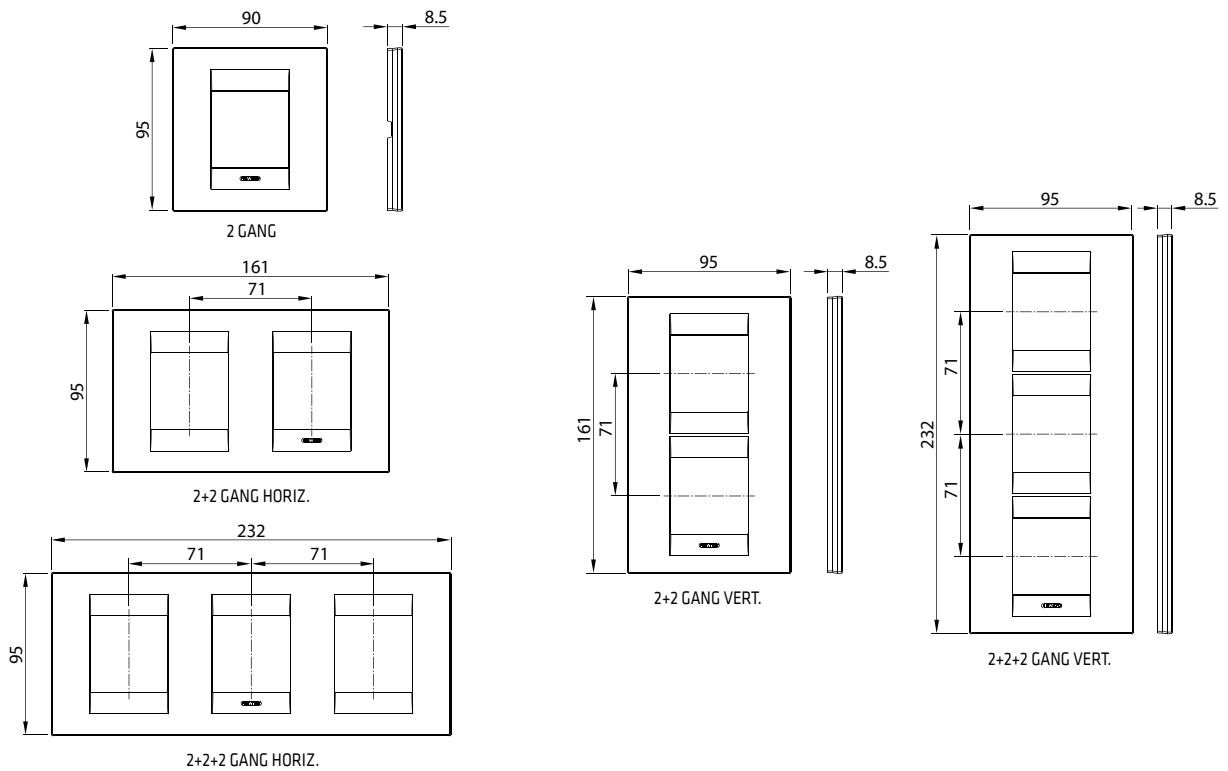
ONE INTERNATIONAL PLATES



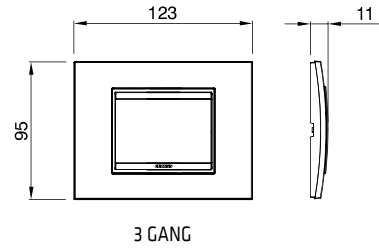
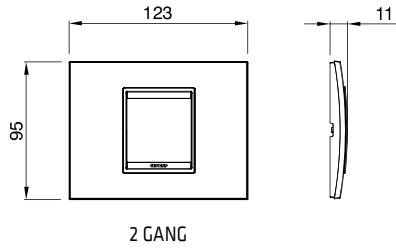
GEO PLATES



GEO INTERNATIONAL PLATES



LUX PLATES



DOMESTIC RANGES

LUX INTERNATIONAL PLATES

