



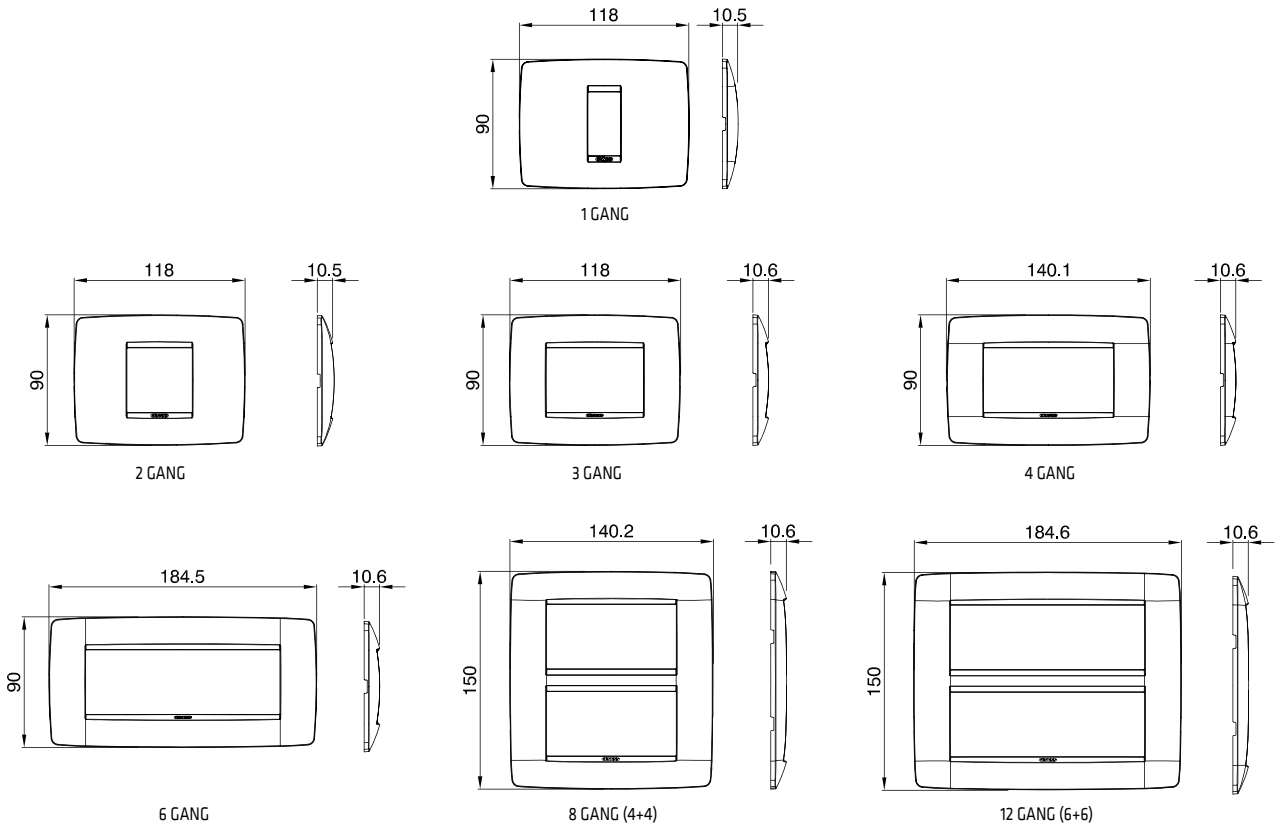
GW 14 906

## TOUCH COMMAND DUPLICATOR

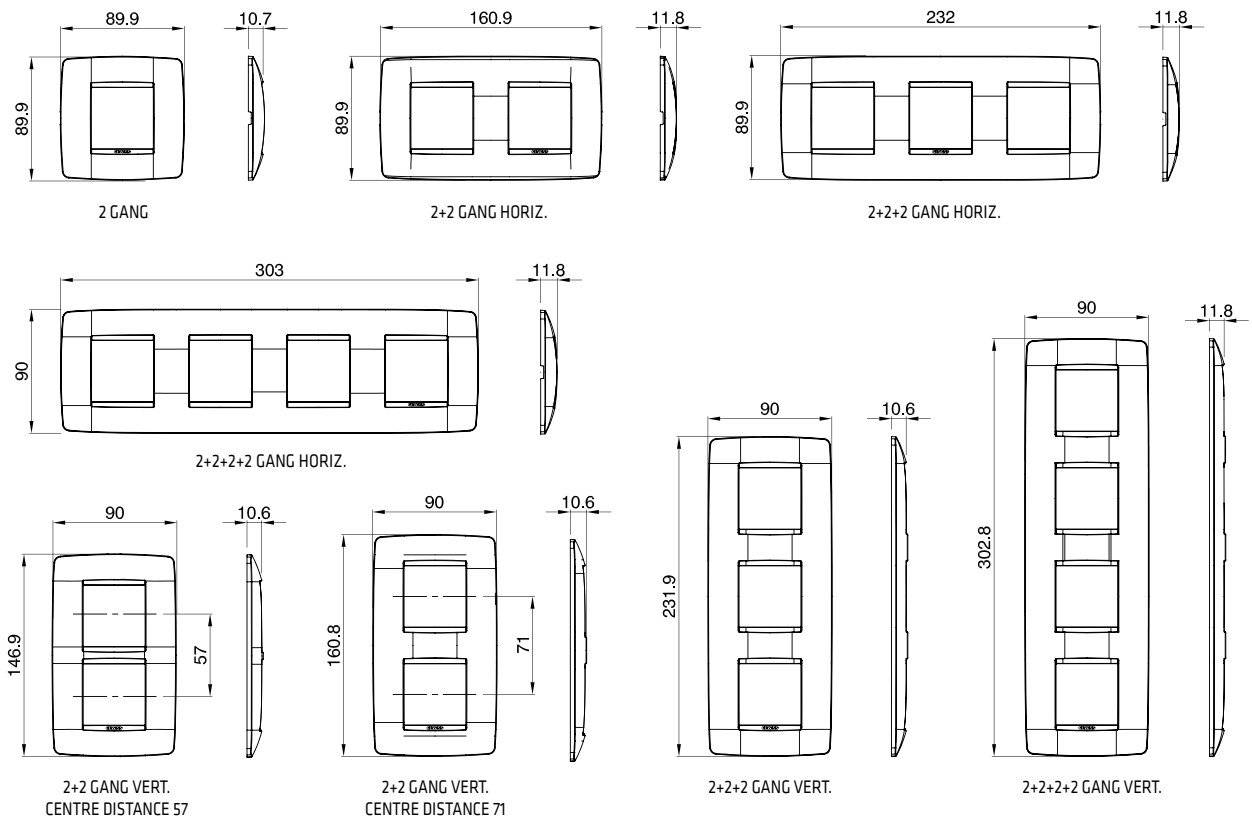
| Code      | Supply voltage  | No. Chorus modules | Pack Carton |
|-----------|-----------------|--------------------|-------------|
| GW 14 906 | 230V ac - 50 Hz | 1                  | 1/12        |

**CHARACTERISTICS:** the device must be combined with the touch one-way switches GW14904 or the touch dimmers GW14905, increasing the command points. A simple programming allows you to configure the acoustic signals (buzzer) and light intensity signals (blue LED with two intensity levels).

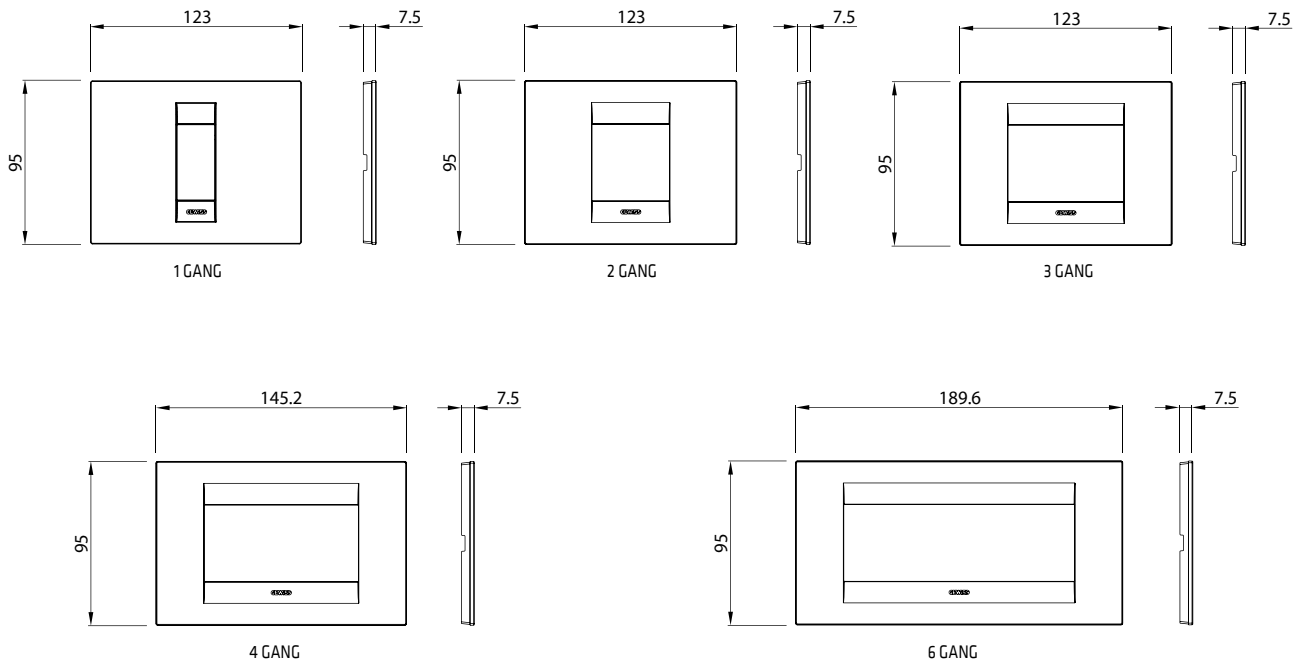
**ONE PLATES**



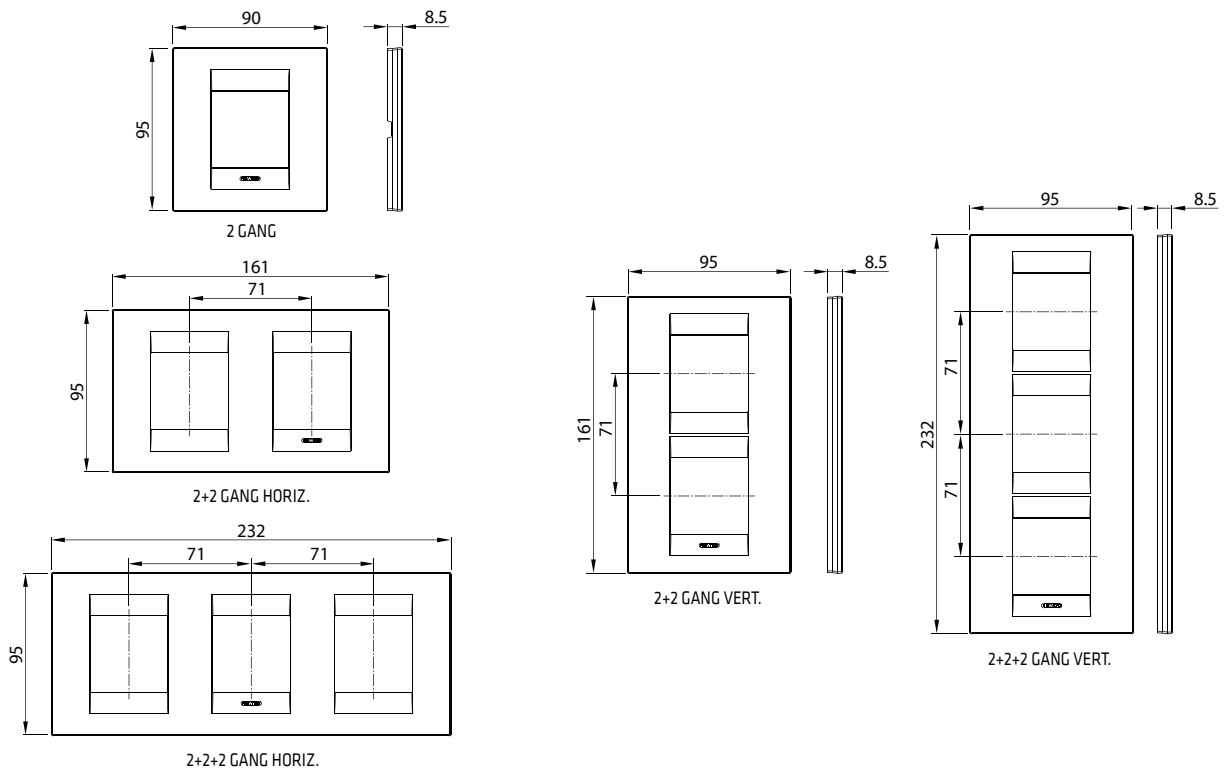
**ONE INTERNATIONAL PLATES**



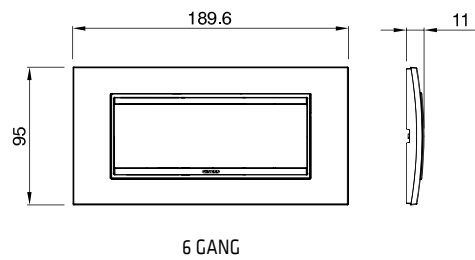
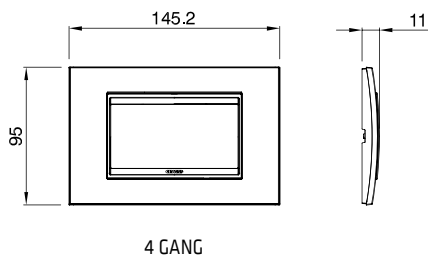
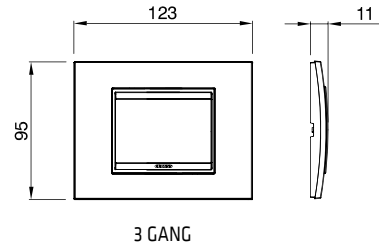
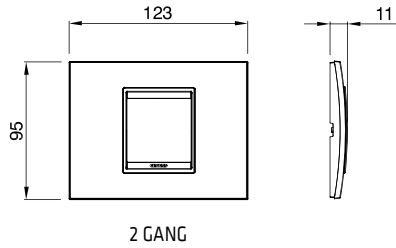
## GEO PLATES



## GEO INTERNATIONAL PLATES



**LUX PLATES**



DOMESTIC RANGES

**LUX INTERNATIONAL PLATES**

