



GW 14 406

**BRITISH STANDARD TELEPHONE SOCKET**

Code	Description	Connection	No. Chorus modules	Pack Carton
GW 14 406	6 contacts	Screw-on terminals	1	1/24

**DATA SOCKETS**



GW 14 421

**RJ45 SOCKETS**

Code	Description	Number pairs	Use category	Cables	Connection	No. Chorus modules	Pack Carton
GW 14 421	RJ45	4	5e	UTP	Toolless	1	1/24
GW 14 422	RJ45	4	5e	FTP	Toolless	1	1/24
GW 14 423	RJ45	4	6	UTP	Toolless	1	1/24
GW 14 424	RJ45	4	6	FTP	Toolless	1	1/24

**APPLICATIONS:** LANs up to 100MHz (e.g. Ethernet, Token Ring networks) for cat. 5e; LANs up to 250MHz (e.g. Videoconference systems, CCTV) for cat. 6.  
**NOTES:** circuit identification label included.



GW 14 431

**ADAPTERS FOR HOUSING DATA CONNECTORS**

Code	Compatibility	No. Chorus modules	Pack Carton
GW 14 431	AMP / Keystone Jack	1	1/48
GW 14 438	SYSTIMAX COMMSCOPE	1	1/48

**NOTES:** with regard to the technological developments and dimensional variants introduced by connector manufacturers, you are advised to check in advance the full compatibility between the connector and the Gewiss adapter.



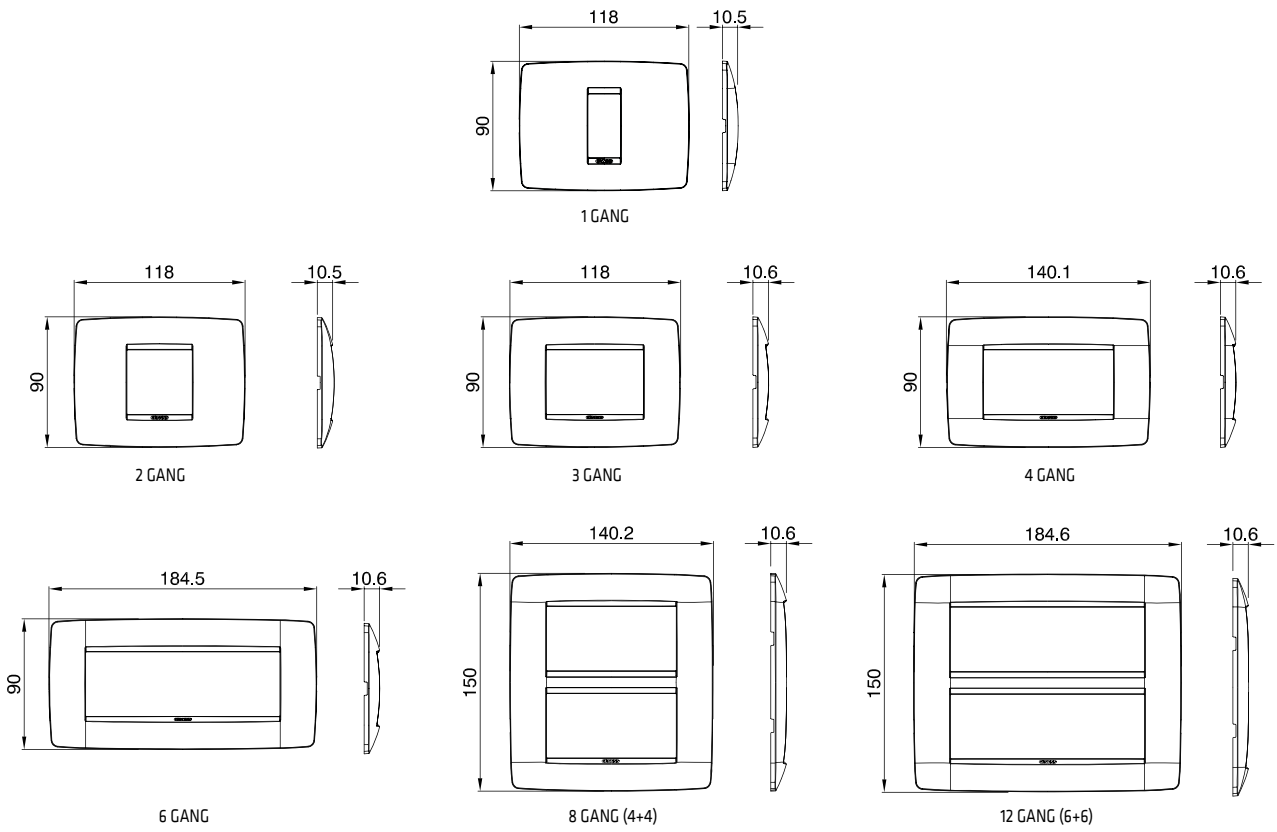
GW 14 437

**RJ45 SOCKETS**

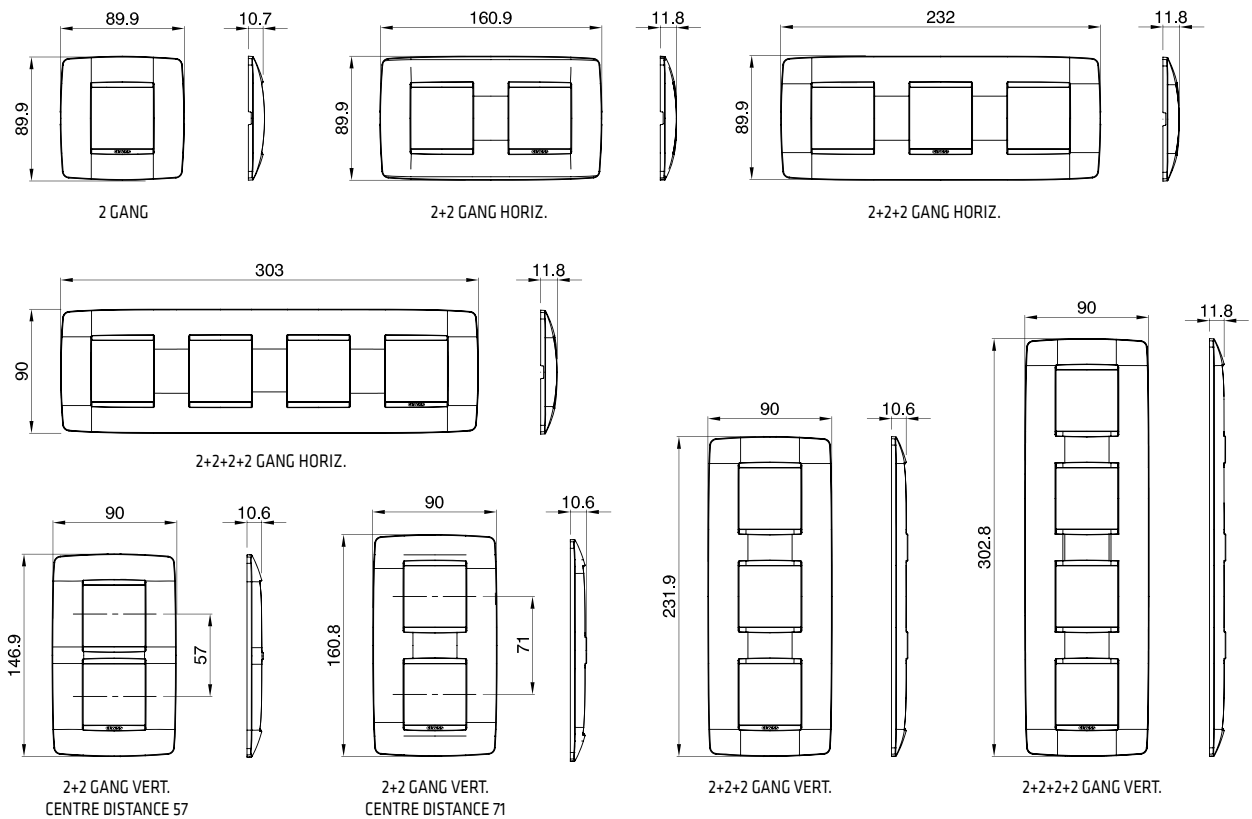
Code	Description	Number pairs	Use category	Cables	Connection	No. Chorus modules	Pack Carton
GW 14 434	RJ45	4	5e	UTP	Toolless	2	1/24
GW 14 436	RJ45	4	5e	FTP	Toolless	2	1/24
GW 14 435	RJ45	4	6	UTP	Toolless	2	1/24
GW 14 437	RJ45	4	6	FTP	Toolless	2	1/24

**APPLICATIONS:** LAN networks up to 100 MHz (e.g. Ethernet or Token Ring networks) for cat. 5e; LAN networks up to 250 MHz (e.g. video conference or video control systems) for cat. 6.

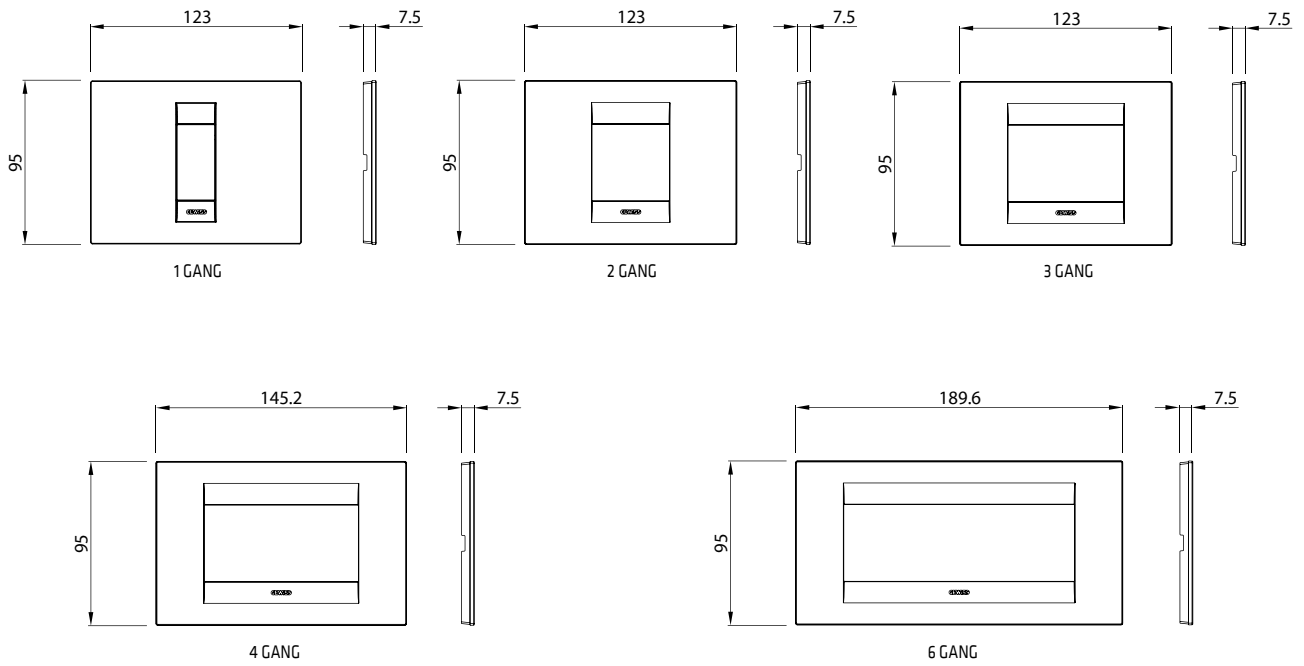
**ONE PLATES**



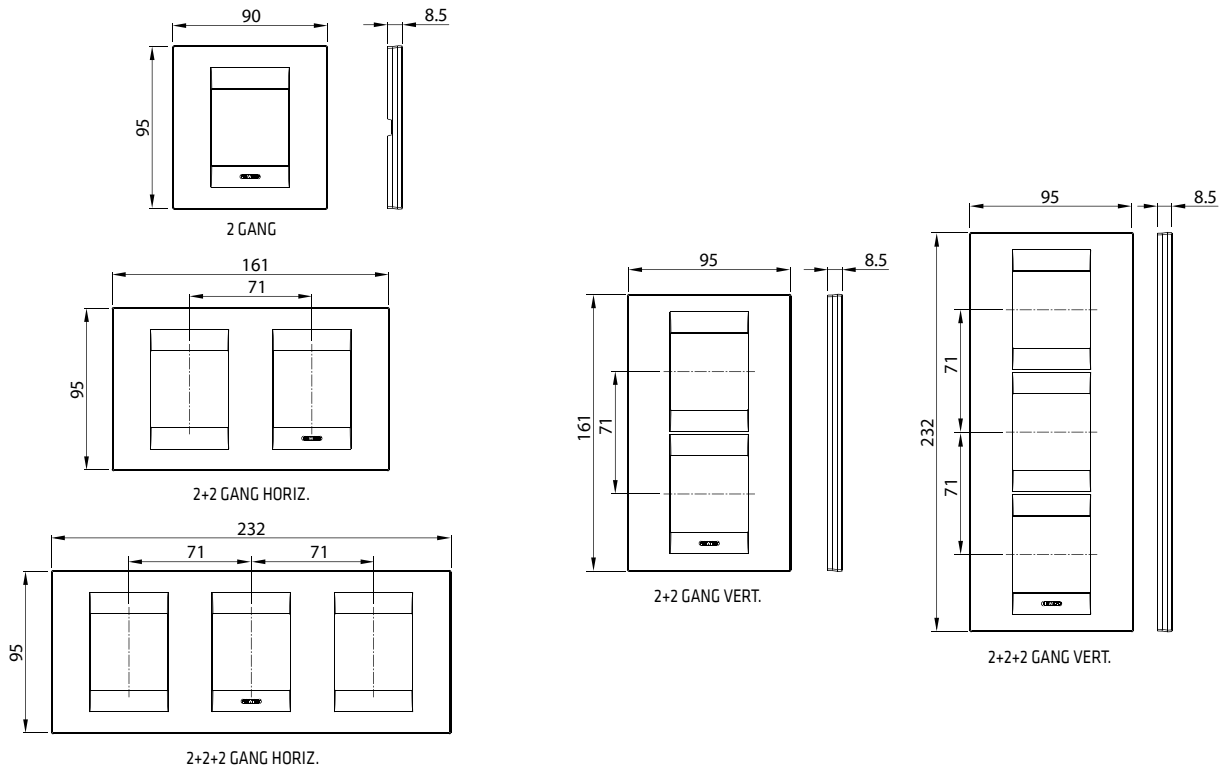
**ONE INTERNATIONAL PLATES**



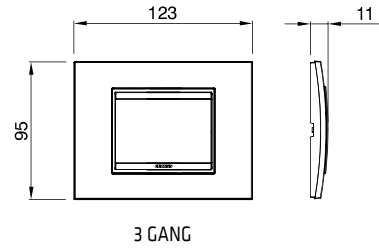
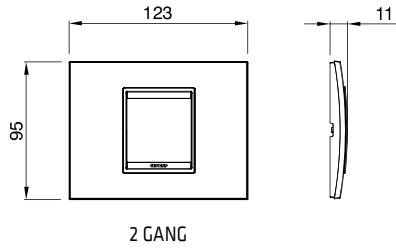
## GEO PLATES



## GEO INTERNATIONAL PLATES



**LUX PLATES**



DOMESTIC RANGES

**LUX INTERNATIONAL PLATES**

