



GW 12 406

BRITISH STANDARD TELEPHONE SOCKET

Code	Description	Connection	No. Chorus modules	Pack Carton
GW 12 406	6 contacts	Screw-on terminals	1	1/24

DATA SOCKETS



GW 12 421

RJ45 SOCKETS

Code	Description	Number pairs	Use category	Cables	Connection	No. Chorus modules	Pack Carton
GW 12 421	RJ45	4	5e	UTP	Toolless	1	1/24
GW 12 422	RJ45	4	5e	FTP	Toolless	1	1/24
GW 12 423	RJ45	4	6	UTP	Toolless	1	1/24
GW 12 424	RJ45	4	6	FTP	Toolless	1	1/24

APPLICATIONS: LANs up to 100MHz (e.g. Ethernet, Token Ring networks) for cat. 5e; LANs up to 250MHz (e.g. Videoconference systems, CCTV) for cat. 6.
NOTES: circuit identification label included.



GW 12 431

ADAPTERS FOR HOUSING DATA CONNECTORS

Code	Compatibility	No. Chorus modules	Pack Carton
GW 12 431	AMP / Keystone Jack	1	1/48
GW 12 438	SYSTIMAX COMMSCOPE	1	1/48

NOTES: with regard to the technological developments and dimensional variants introduced by connector manufacturers, you are advised to check in advance the full compatibility between the connector and the Gewiss adapter.



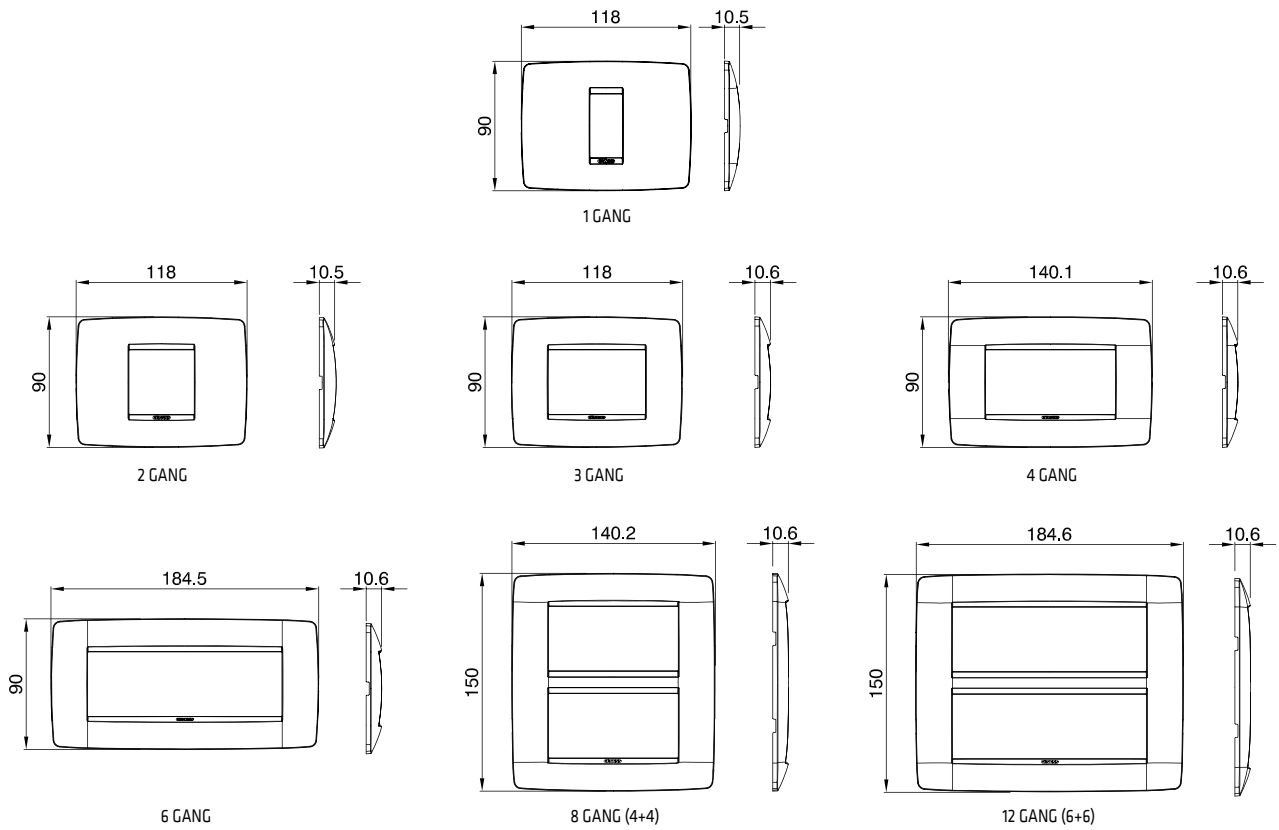
GW 12 437

RJ45 SOCKETS

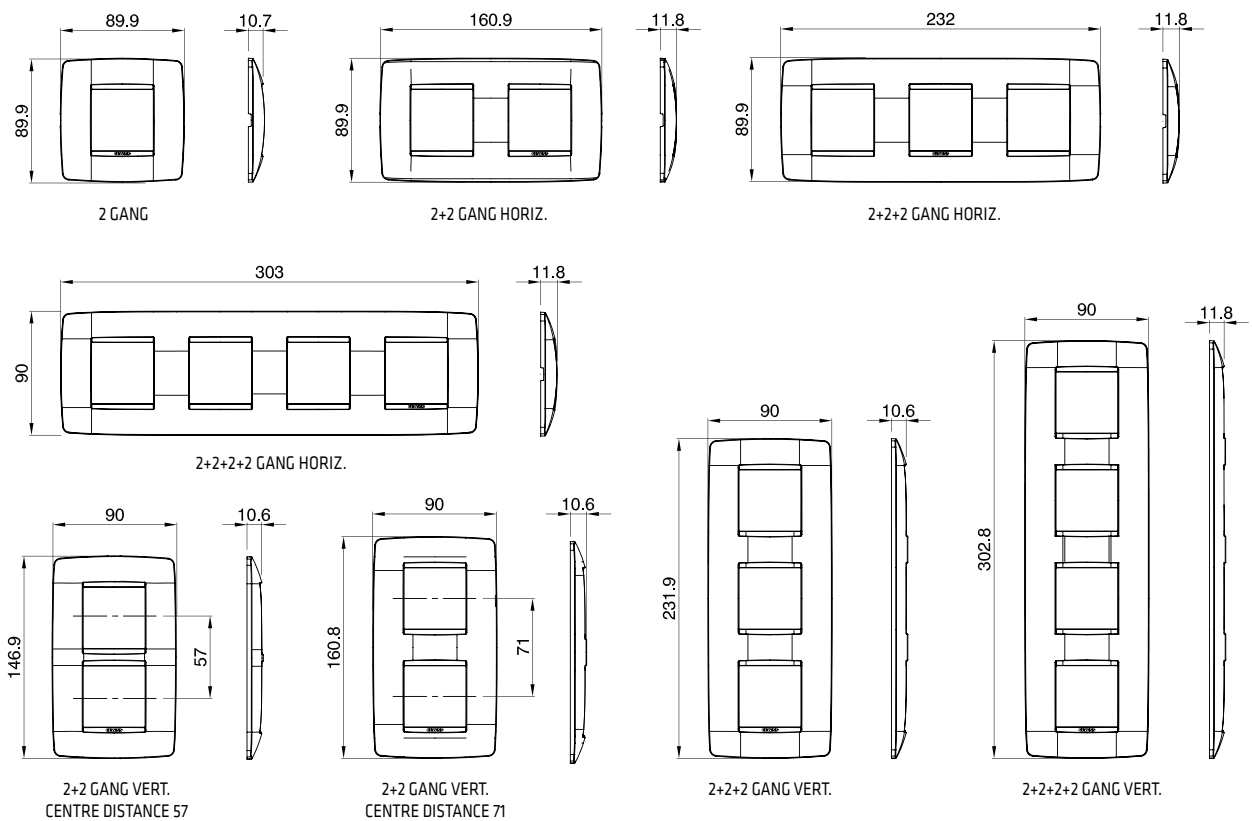
Code	Description	Number pairs	Use category	Cables	Connection	No. Chorus modules	Pack Carton
GW 12 434	RJ45	4	5e	UTP	Toolless	2	1/24
GW 12 436	RJ45	4	5e	FTP	Toolless	2	1/24
GW 12 435	RJ45	4	6	UTP	Toolless	2	1/24
GW 12 437	RJ45	4	6	FTP	Toolless	2	1/24

APPLICATIONS: LAN networks up to 100 MHz (e.g. Ethernet or Token Ring networks) for cat. 5e; LAN networks up to 250 MHz (e.g. video conference or video control systems) for cat. 6.

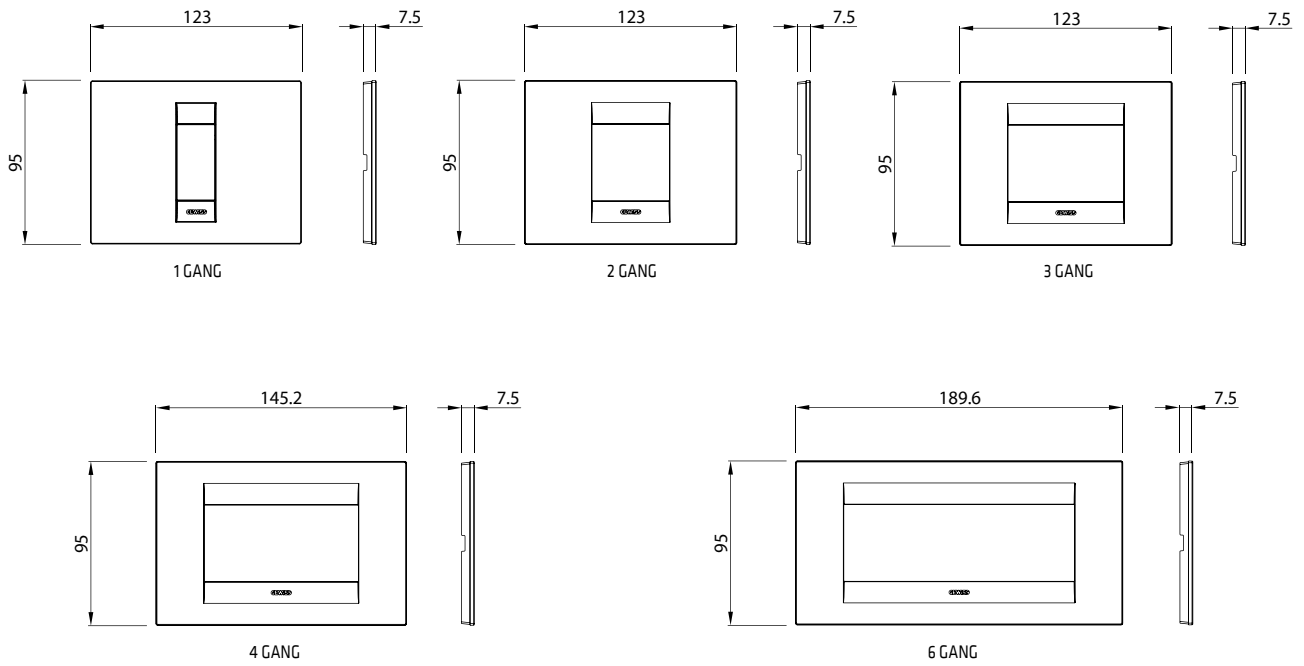
ONE PLATES



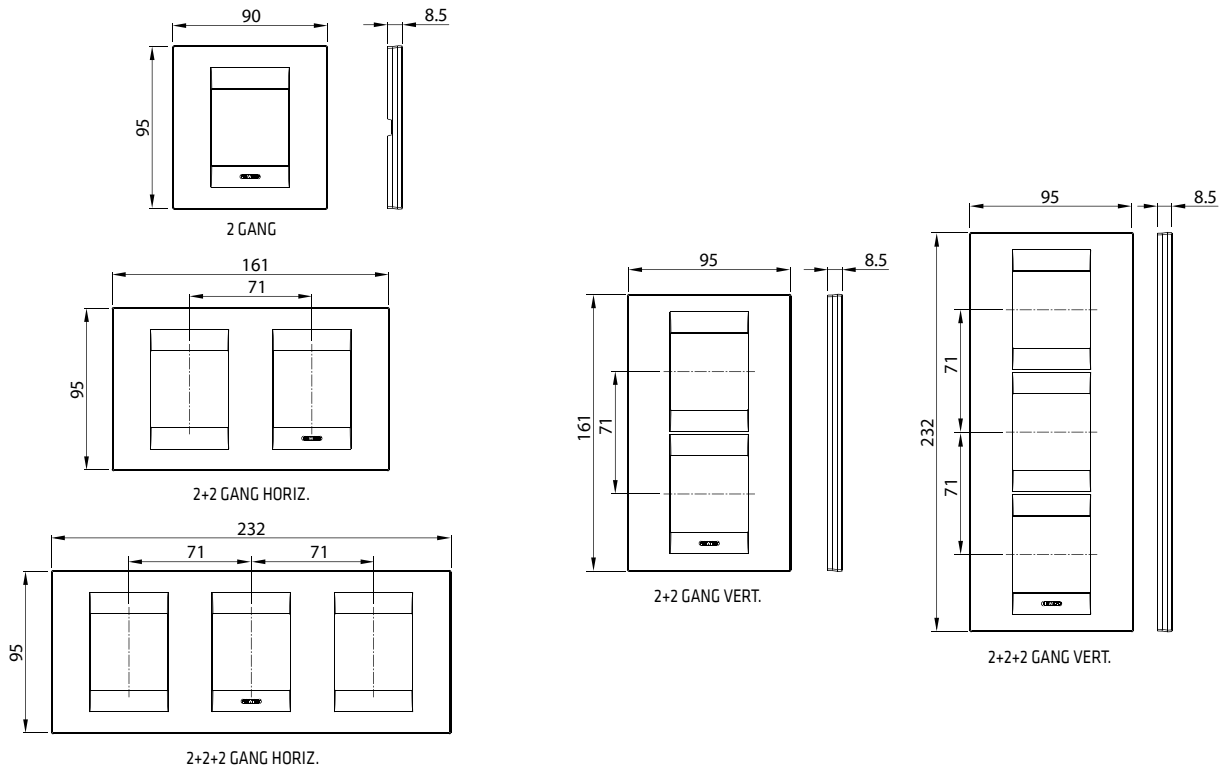
ONE INTERNATIONAL PLATES



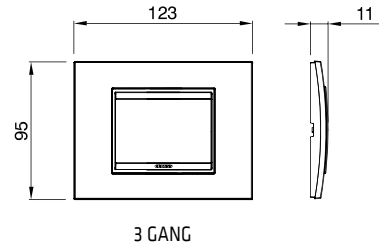
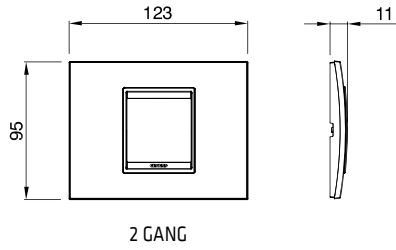
GEO PLATES



GEO INTERNATIONAL PLATES



LUX PLATES



DOMESTIC RANGES

LUX INTERNATIONAL PLATES

