

DATA - BLACK VERSION

TV-SAT SOCKETS



GW 12 361

COAXIAL TV SOCKETS (5-2400 MHZ), CLASS A SHIELDING - MALE IEC CONNECTOR Ø 9.5 MM

Code	Description	Attenuation	No. Chorus modules	Pack Carton
GW 12 361	Direct	0 dB	1	1/48
GW 12 362	Feedthrough	5 dB	1	1/24
GW 12 363	Feedthrough	10 dB	1	1/24
GW 12 364	Feedthrough	14 dB	1	1/24
GW 20 277	Terminal resistance 75 ohm			50/200

CHARACTERISTICS: GW12361 allows the passage of voltage/current of remote power supply and/or control signals towards the user port (max 24 V - 500 mA).

GW20277 in combination with feedthrough socket-outlets allows you to make terminal socket-outlets.

APPLICATIONS: Socket-outlets suitable for return channel.

NOTES: the TV 5dB GW12362 coaxial socket-outlet is defined with conditional use: it is a special feedthrough socket-outlet, and must be used as such, with the only difference that the user port (socket-outlet towards the user device) must always be closed with a 75-Ohm load (TV, VCR, SAT receiver or 75-Ohm termination).



GW 12 371

COAXIAL TV-SAT SOCKETS (5-2400 MHZ), CLASS A SHIELDING - FEMALE F CONNECTOR

Code	Description	Attenuation	No. Chorus modules	Pack Carton
GW 12 371	Direct	0 dB	1	1/48
GW 12 372	Feedthrough	5 dB	1	1/24
GW 12 373	Feedthrough	10 dB	1	1/24
GW 12 374	Feedthrough	14 dB	1	1/24
GW 20 277	Terminal resistance 75 ohm			50/200

CHARACTERISTICS: GW12371 allows the passage of voltage/current of remote power supply and/or control signals towards the user port (max 24 V - 500 mA).

GW20277 in combination with feedthrough socket-outlets allows you to make terminal socket-outlets.

APPLICATIONS: Socket-outlets suitable for return channel.

NOTES: the TV-SAT 5dB GW12372 coaxial socket-outlet is defined with conditional use: it is a special feedthrough socket-outlet, and must be used as such, with the only difference that the user port (socket-outlet towards the user device) must always be closed with a 75-Ohm load (TV, VCR, SAT receiver or 75-Ohm termination).



GW 12 382

TV-FM-SAT SOCKETS

Code	Connectors	Description	Attenuation	No. Chorus modules	Pack Carton
GW 12 381	TV-FM	Direct	0 dB	2	1/24
GW 12 382	TV-FM-SAT	Direct	0 dB	2	1/24
GW 12 383	TV-SAT	Direct	0 dB	2	1/24

CHARACTERISTICS: TV-FM direct co-axial socket-outlet GW12381; male IEC-type TV connector ø 9.5mm; female IEC-type FM connector ø 9.5mm.

TV-FM-SAT direct co-axial socket-outlet GW12382; male IEC-type TV connector ø 9.5mm; female IEC-type FM connector ø 9.5mm; female F-type SAT connector.

TV-SAT direct co-axial socket-outlet GW12383; male IEC-type TV connector ø 9.5mm; female F-type SAT connector.

NOTES: demixed socket-outlets with input for co-axial cable Ø 5mm or 7mm.



GW 12 367

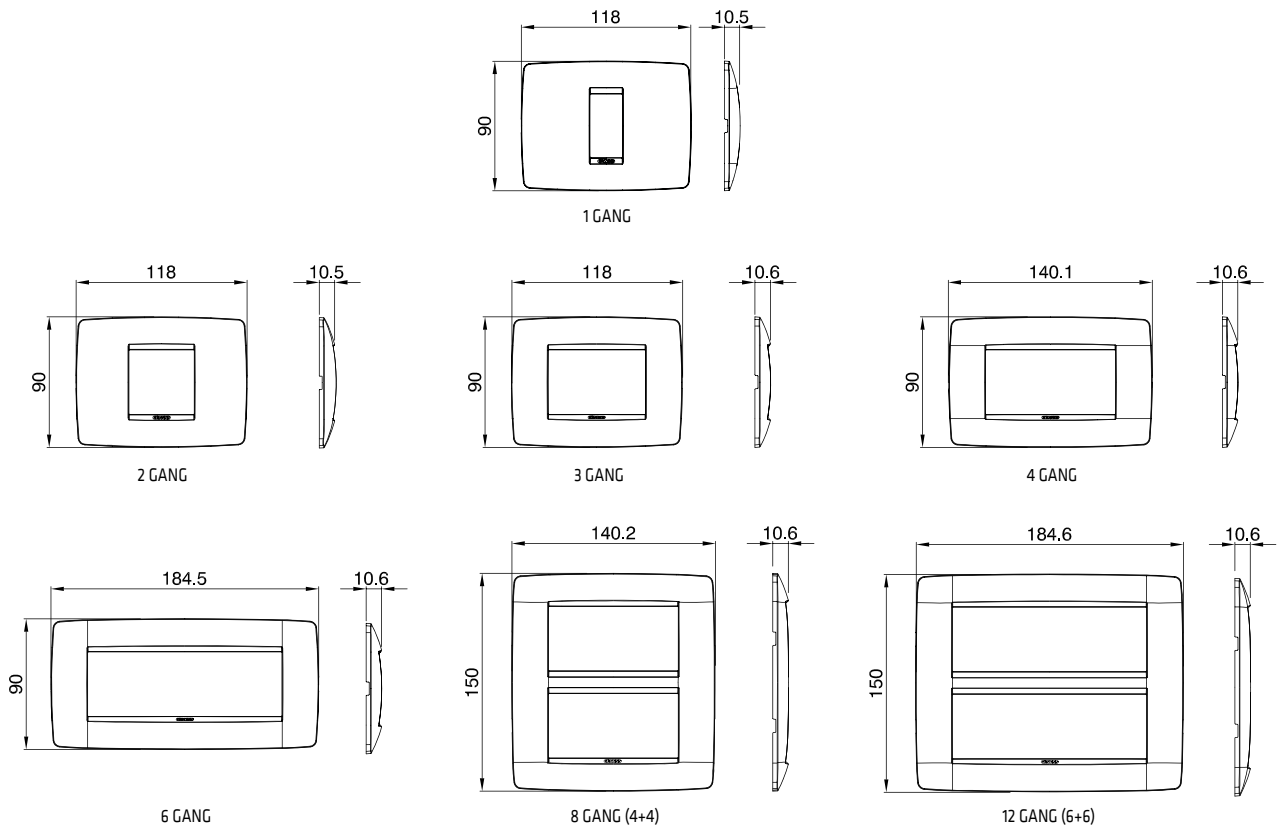
COAXIAL TV SOCKETS (5-2400 MHZ), CLASS A SHIELDING - MALE IEC CONNECTOR Ø 9.5MM

Code	Description	Attenuation	No. Chorus modules	Pack Carton
GW 12 367	Direct	0 dB	2	1/24

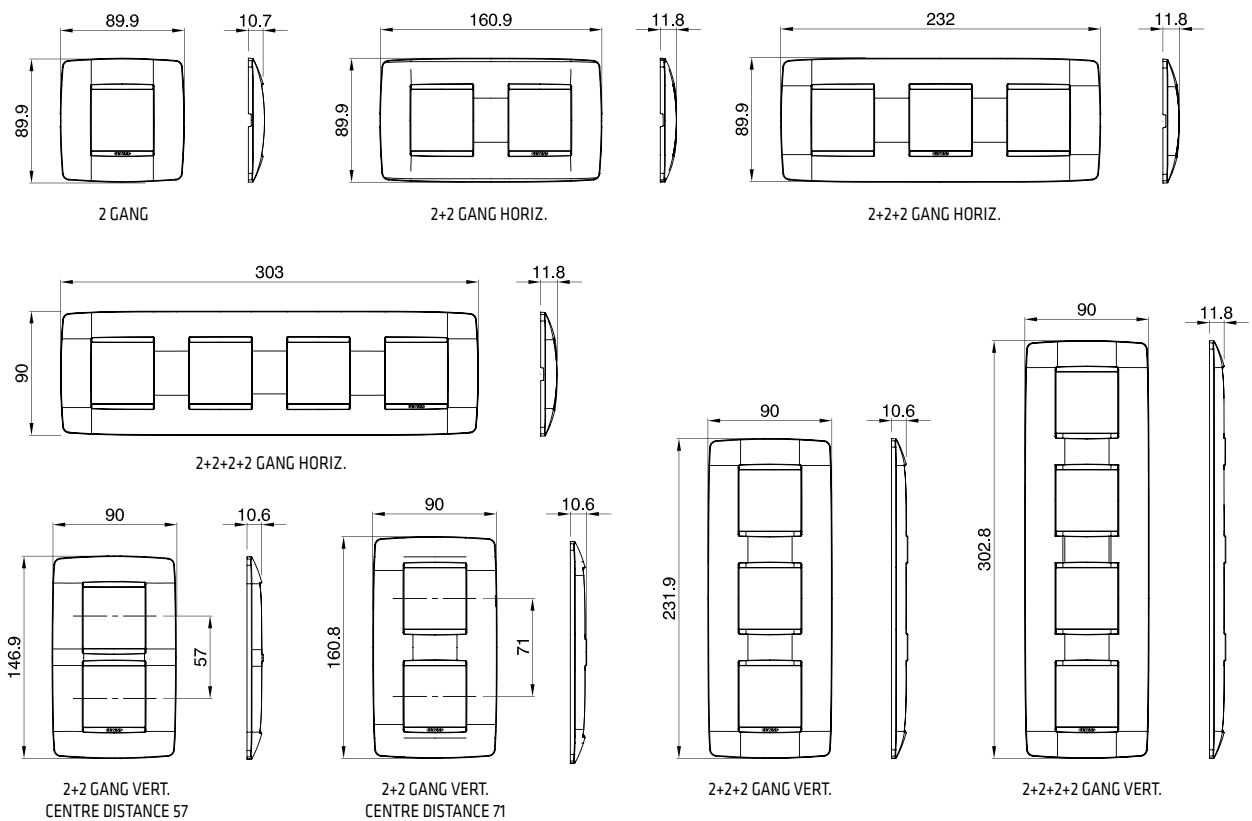
CHARACTERISTICS: allows the passage of voltage/current of remote power supply and/or control signals towards the user port (max 24V - 500 mA).

APPLICATIONS: socket-outlets suitable for return channel.

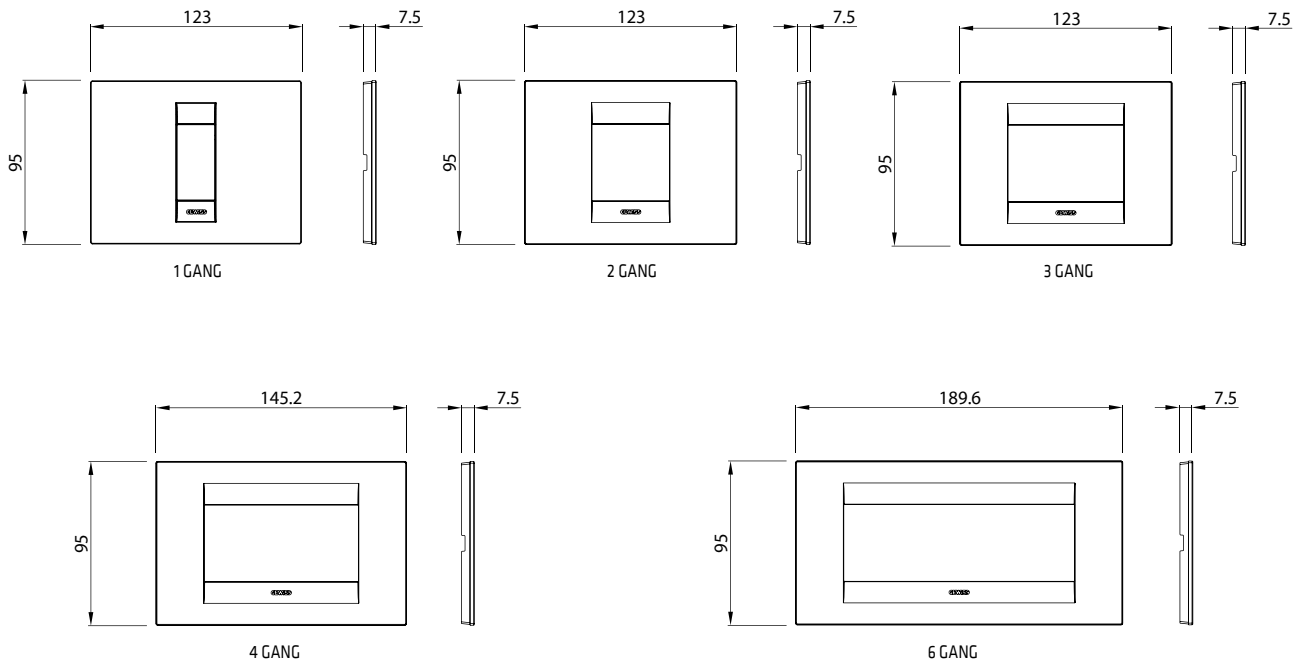
ONE PLATES



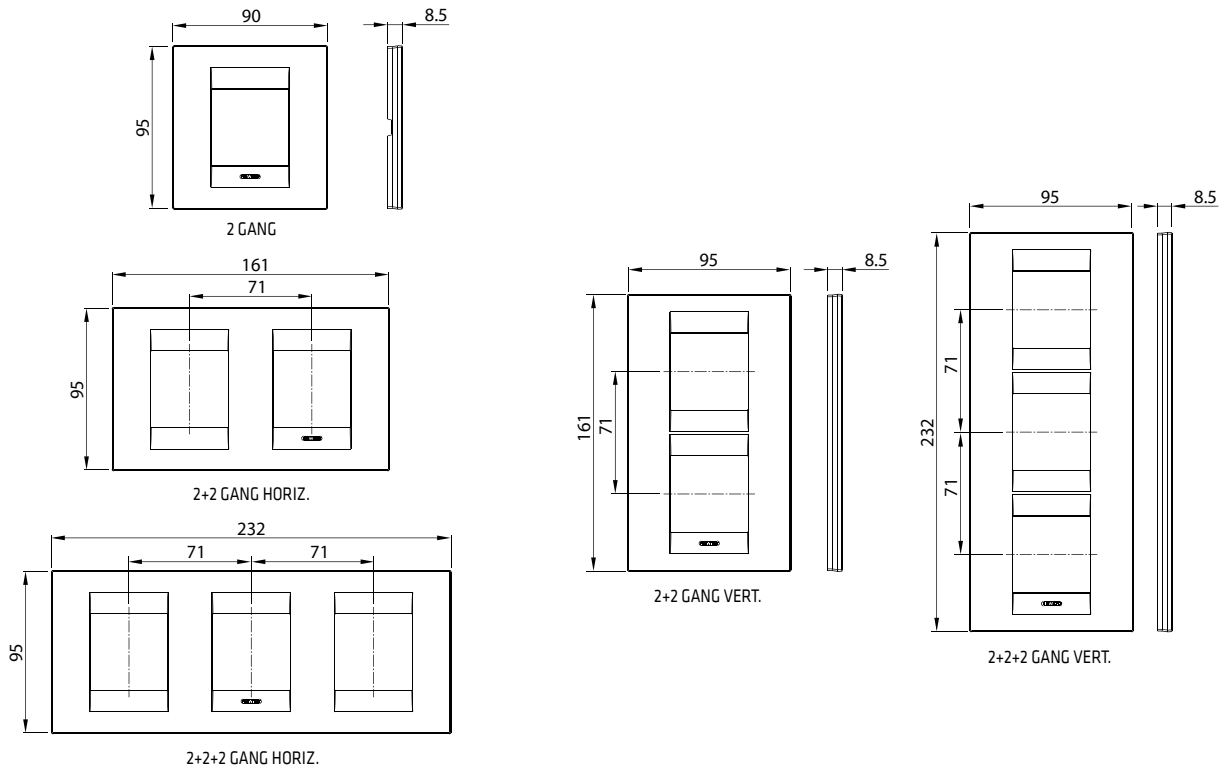
ONE INTERNATIONAL PLATES



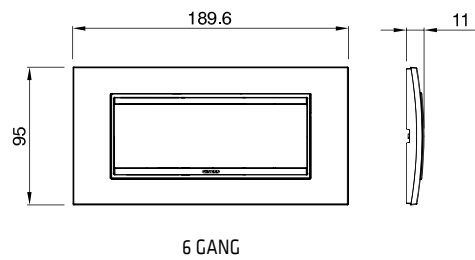
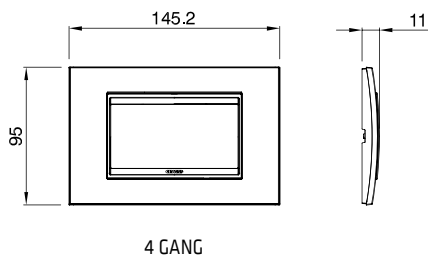
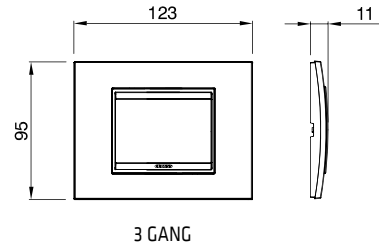
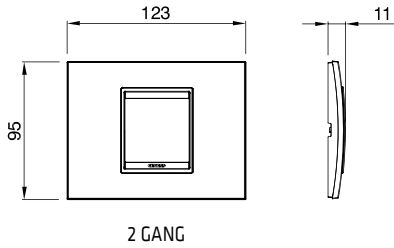
GEO PLATES



GEO INTERNATIONAL PLATES



LUX PLATES



DOMESTIC RANGES

LUX INTERNATIONAL PLATES

