

## DATA SOCKETS



GW 11 421

### RJ45 SOCKETS

Code	Description	Number pairs	Use category	Cables	Connection	No. Chorus modules	Pack Carton
GW 11 421	RJ45	4	5e	UTP	Toolless	1	1/24
GW 11 422	RJ45	4	5e	FTP	Toolless	1	1/24
GW 11 423	RJ45	4	6	UTP	Toolless	1	1/24
GW 11 424	RJ45	4	6	FTP	Toolless	1	1/24

**APPLICATIONS:** LANs up to 100MHz (e.g. Ethernet, Token Ring networks) for cat. 5e; LANs up to 250MHz (e.g. Videoconference systems, CCTV) for cat. 6.

**NOTES:** circuit identification label included.



GW 11 431

### ADAPTER FOR HOUSING DATA CONNECTORS

Code	Compatibility	No. Chorus modules	Pack Carton
GW 11 431	AMP / Keystone Jack	1	1/48

**NOTES:** with regard to the technological developments and dimensional variants introduced by connector manufacturers, you are advised to check in advance the full compatibility between the connector and the Gewiss adapter.

## USB AND HDMI COUPLERS



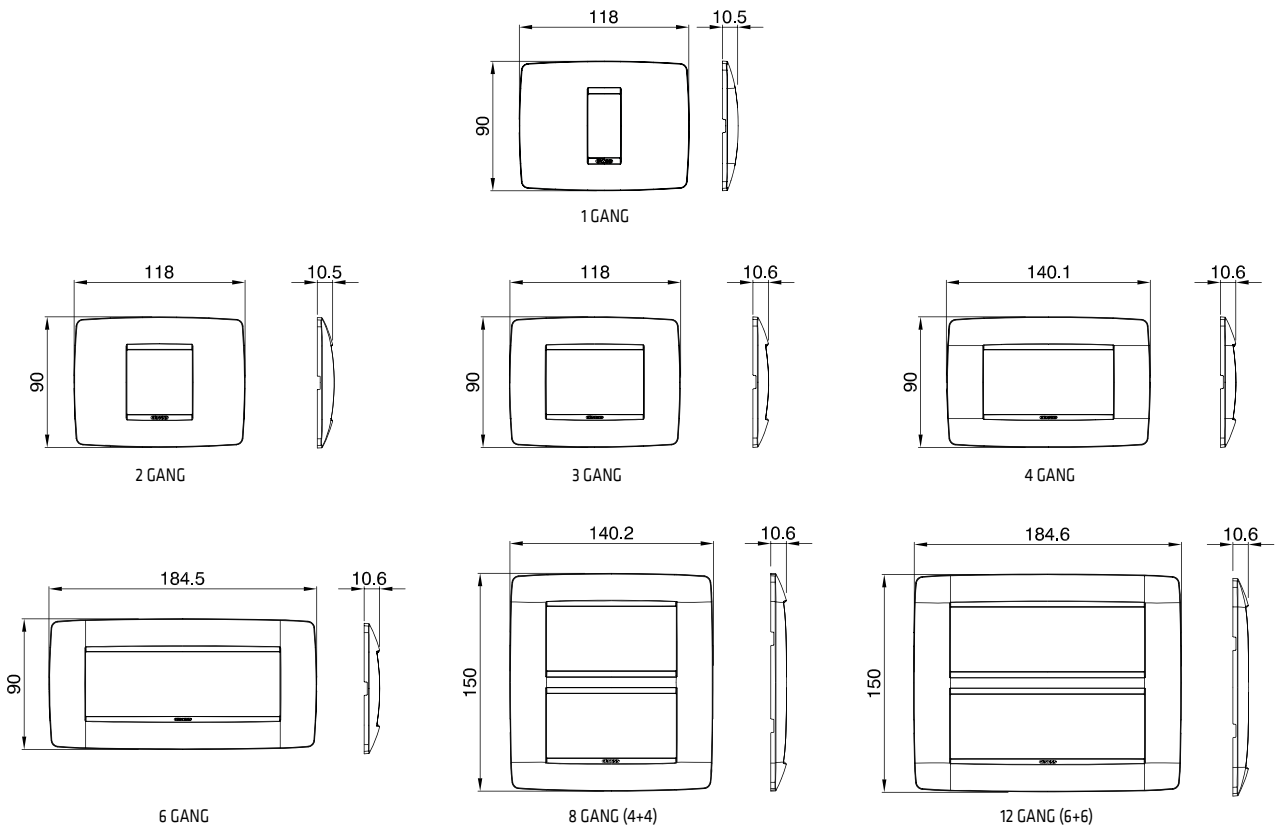
GW 38 056

### USB AND HDMI COUPLERS

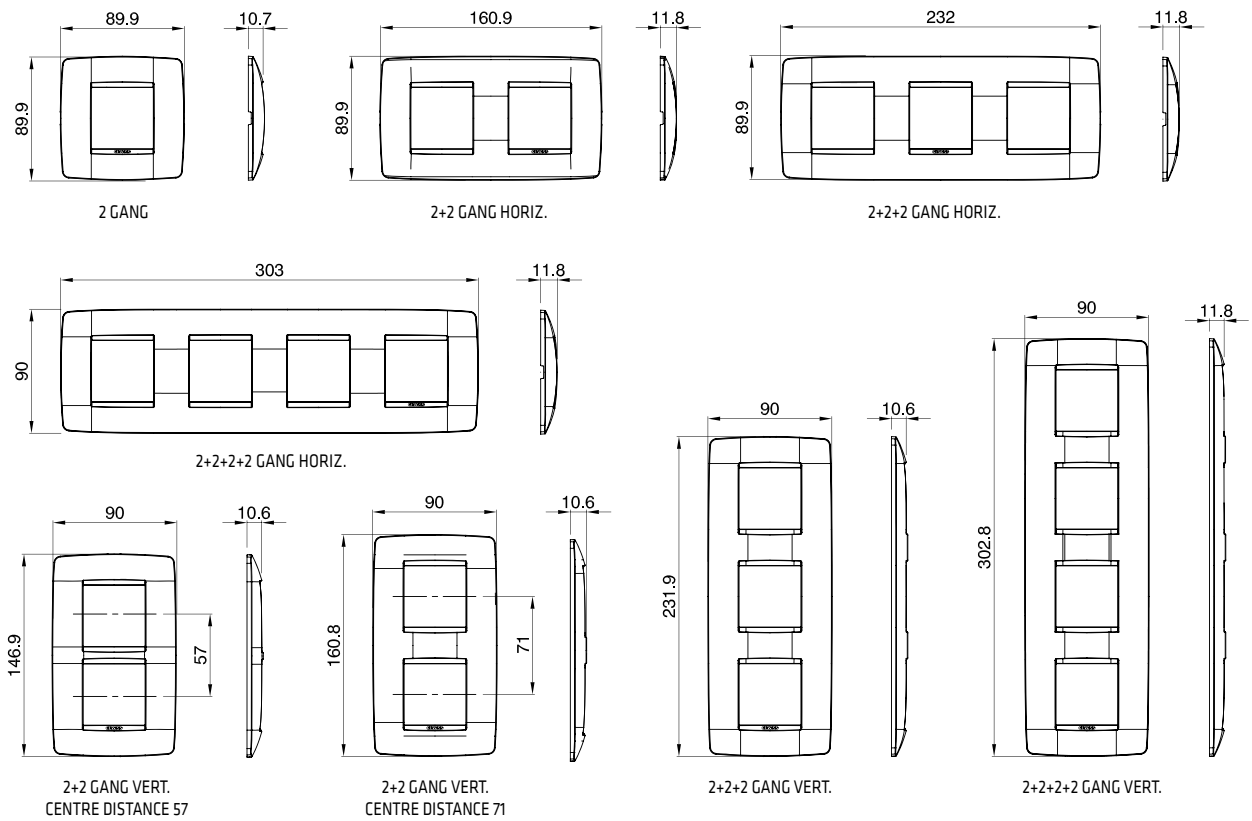
Code	Description	Type	Compatibility	Pack Carton
GW 38 056	HDMI coupler	Female/Female	Keystone Jack	1/48
GW 38 057	USB coupler	Female/Female - A type	Keystone Jack	1/48

**NOTES:** for adapters (Chorus, System, Playbus and Dahlia) with Keystone Jack coupling and for patch-panels.

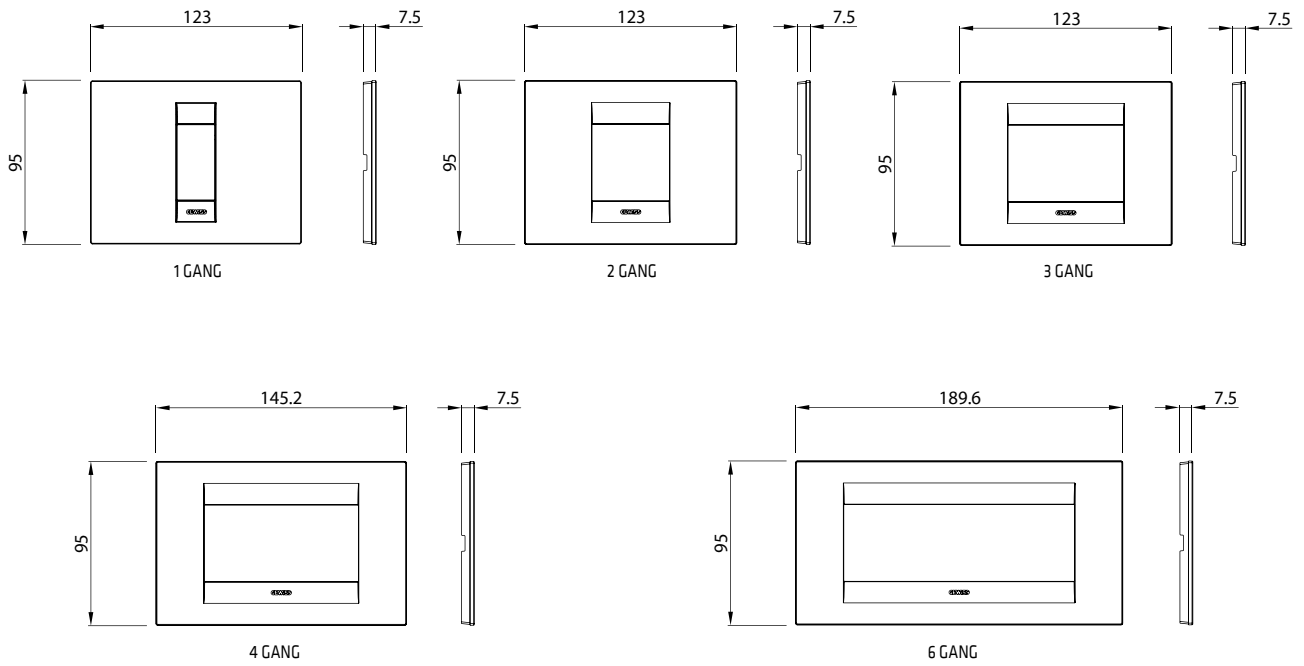
**ONE PLATES**



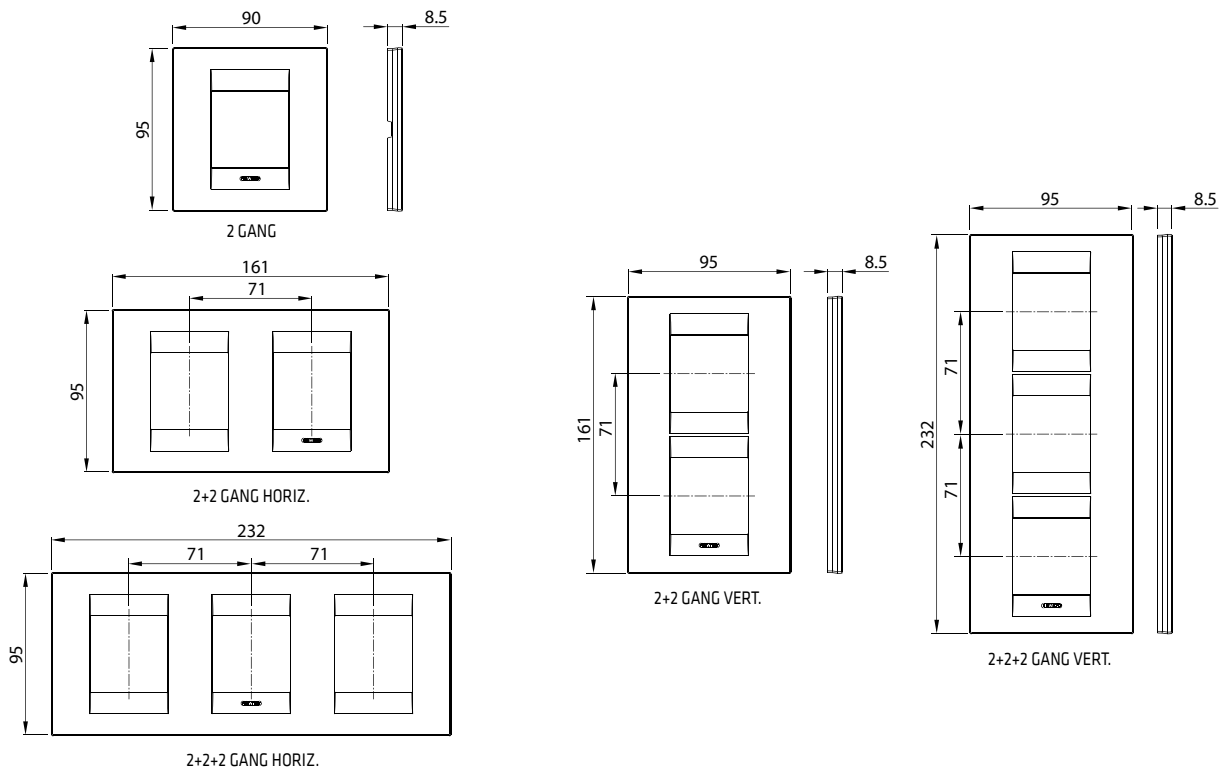
**ONE INTERNATIONAL PLATES**



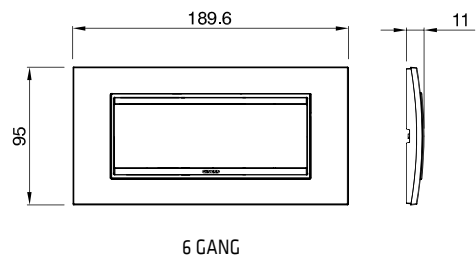
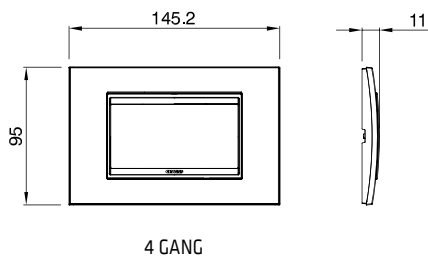
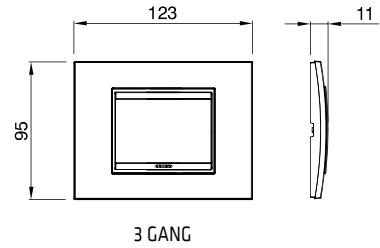
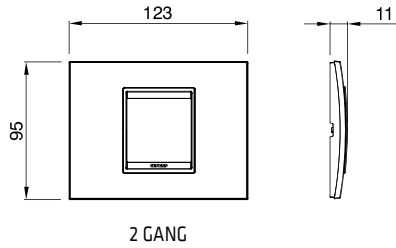
## GEO PLATES



## GEO INTERNATIONAL PLATES



**LUX PLATES**



DOMESTIC RANGES

**LUX INTERNATIONAL PLATES**

