

DATA - IVORY VERSION

TV-SAT SOCKETS



GW 11 361

COAXIAL TV SOCKETS (5-2400 MHZ), CLASS A SHIELDING - MALE IEC CONNECTOR Ø 9.5 MM

Code	Description	Attenuation	No. Chorus modules	Pack Carton
GW 11 361	Direct	0 dB	1	1/48

CHARACTERISTICS: GW11361 allows the passage of voltage/current of remote power supply and/or control signals towards the user port (max 24V - 500 mA).
APPLICATIONS: socket-outlets suitable for return channel.



GW 11 371

COAXIAL TV-SAT SOCKETS (5-2400 MHZ) CLASS A SHIELDING - FEMALE F CONNECTOR

Code	Description	Attenuation	No. Chorus modules	Pack Carton
GW 11 371	Direct	0 dB	1	1/48

CHARACTERISTICS: GW11371 allows the passage of voltage/current of remote power supply and/or control signals towards the user port (max 24V - 500mA).
APPLICATIONS: socket-outlets suitable for return channel.



GW 11 382

TV-FM-SAT SOCKETS

Code	Connectors	Description	Attenuation	No. Chorus modules	Pack Carton
GW 11 381	TV-FM	Direct	0 dB	2	1/24
GW 11 382	TV-FM-SAT	Direct	0 dB	2	1/24
GW 11 383	TV-SAT	Direct	0 dB	2	1/24

CHARACTERISTICS: TV-FM direct co-axial socket-outlet GW11381; male IEC-type TV connector ø 9.5mm; female IEC-type FM connector ø 9.5mm.
 TV-FM-SAT direct co-axial socket-outlet GW11382; male IEC-type TV connector ø 9.5mm; female IEC-type FM connector ø 9.5mm; female F-type SAT connector.
 TV-SAT direct co-axial socket-outlet GW11383; male IEC-type TV connector ø 9.5mm; female F-type SAT connector.
NOTES: demixed socket-outlets with input for co-axial cable Ø 5mm or 7mm.

TELEPHONE SOCKETS



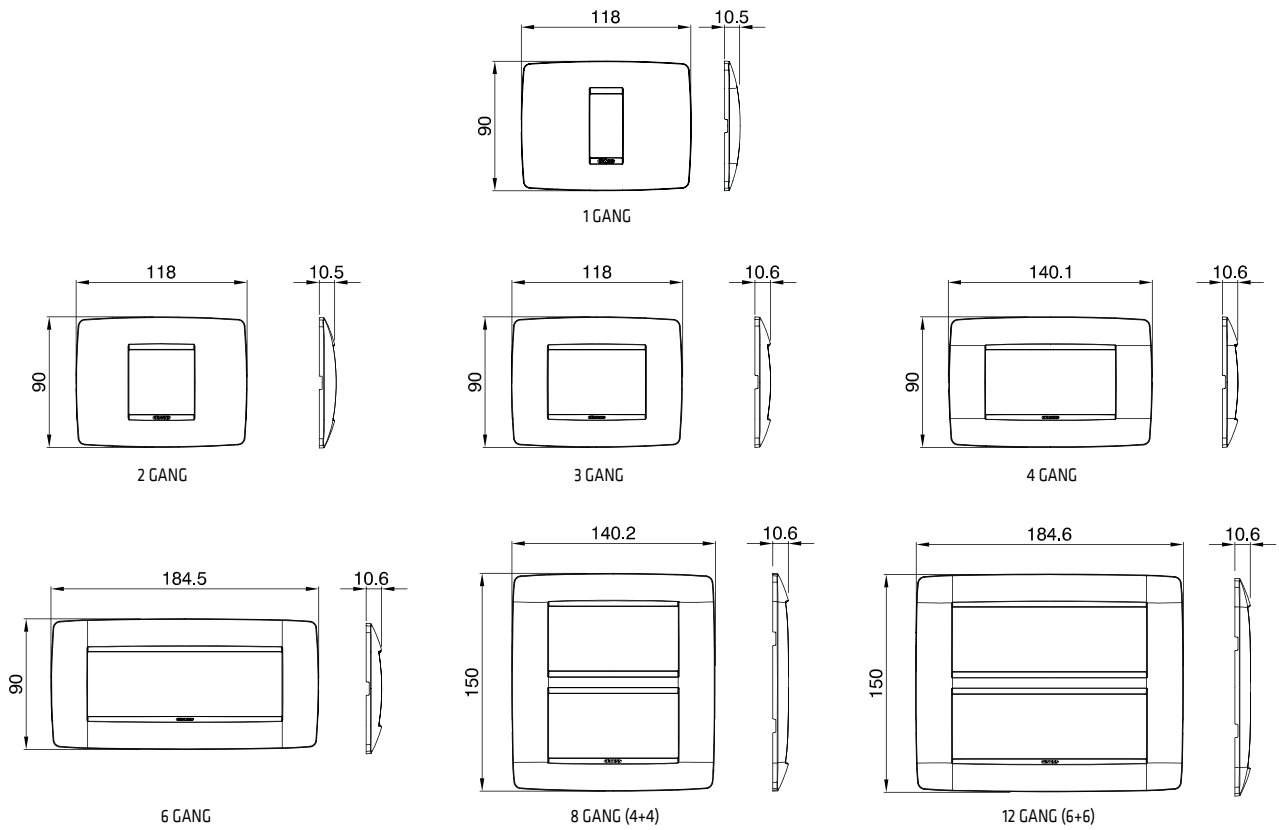
GW 11 401

RJ11 TELEPHONE SOCKETS

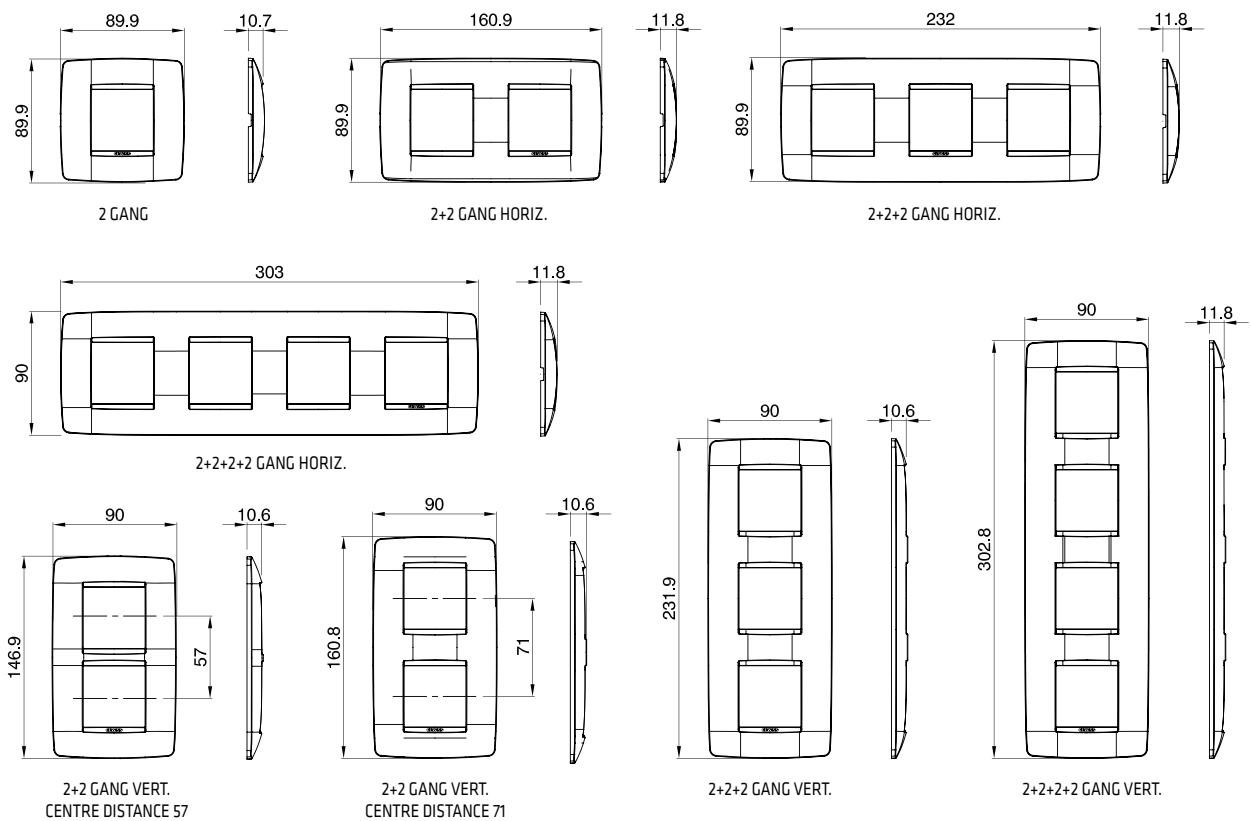
Code	Description	Connection	No. Chorus modules	Pack Carton
GW 11 401	Rj11	Screw-on terminals	1	1/24

APPLICATIONS: telephone, telefax, modem.

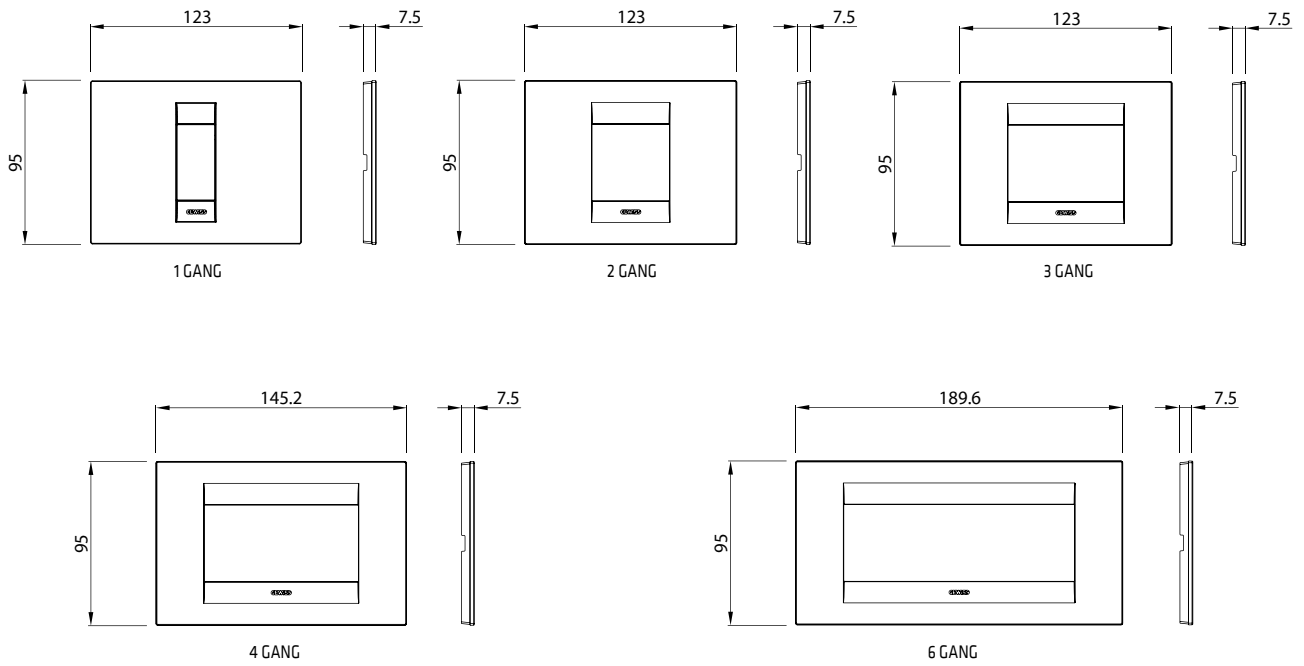
ONE PLATES



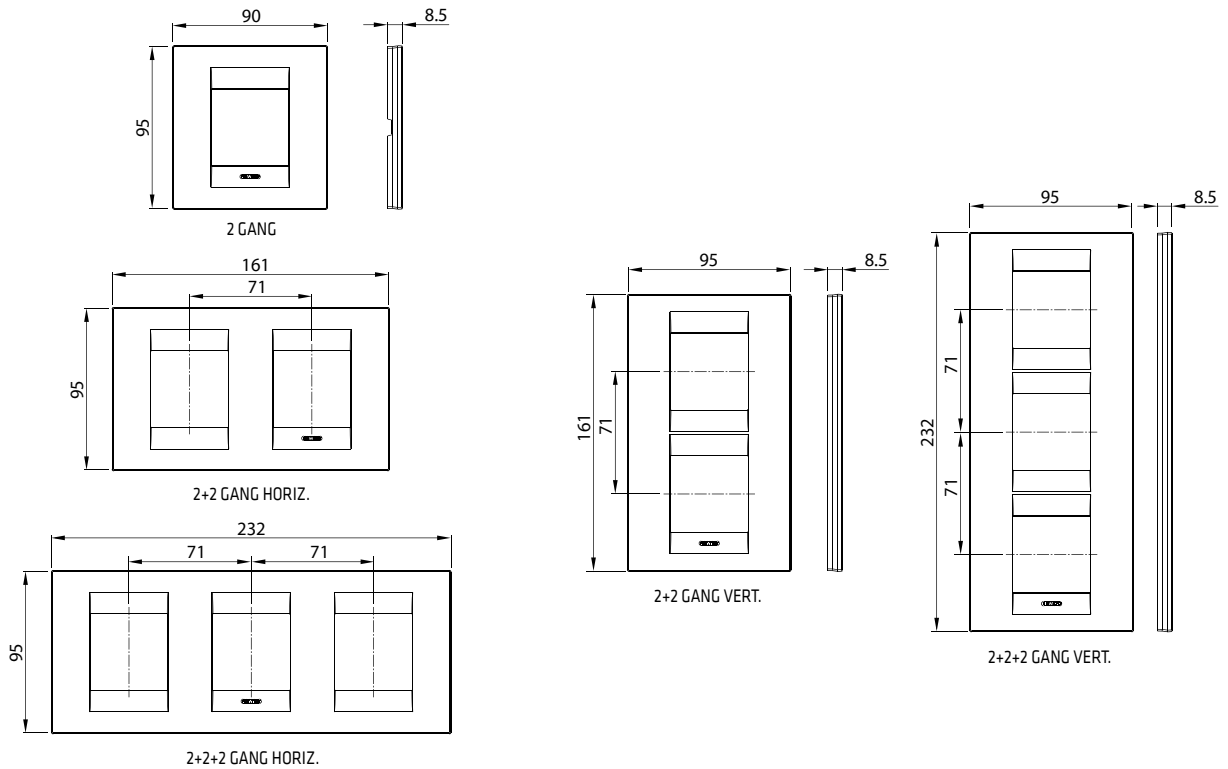
ONE INTERNATIONAL PLATES



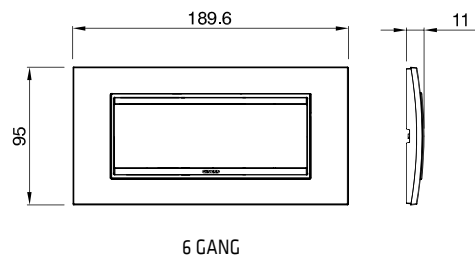
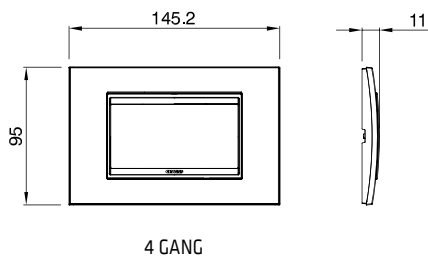
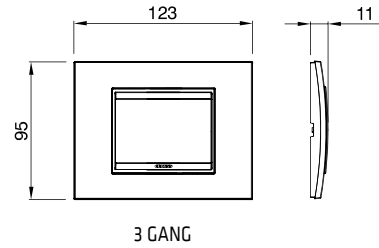
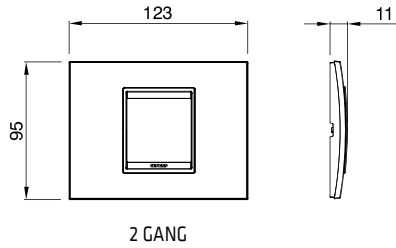
GEO PLATES



GEO INTERNATIONAL PLATES



LUX PLATES



DOMESTIC RANGES

LUX INTERNATIONAL PLATES

