



GW 11 091

INTERMEDIATE SWITCHES 1P - 250V AC

Code	Description	Button key	Rated power of 230V LED lamps	Pack Carton
No. Chorus modules: 1				
GW 11 091	1P - 16AX	Neutral	200 W	12/48
GW 11 092	1P - 16AX illuminable	With diffuser	200 W	12/24
No. Chorus modules: 2				
GW 11 101	1P - 16AX	Neutral	200 W	6/12
GW 11 102	1P - 16AX illuminable	With diffuser	200 W	6/12

CHARACTERISTICS: the illuminable articles use LED signalling units, not included.



GW 11 121

THREE-WAY SWITCHES 1P - 250V AC

Code	Description	Button key	Symbol	Rated power of 230V LED lamps	Pack Carton
No. Chorus modules: 1					
GW 11 121	1P - 10AX	Neutral	UP - DOWN	100 W	12/24
No. Chorus modules: 2					
GW 11 123	1P - 10AX	Neutral	UP - DOWN	100 W	6/24

CHARACTERISTICS: three standing positions. Both contacts are open in the central position (OFF).

APPLICATIONS: command of circuits requiring an interlock (e.g. operating motorised devices with direction reversal), 2-user selective control.



GW 11 131

PUSH-BUTTONS 1P - 250V AC

Code	Description	Button key	Symbol	Pack Carton
No. Chorus modules: 1				
GW 11 131	1P NO - 16A	Neutral		12/96
GW 11 132	1P NO - 16A illuminable	With diffuser		12/24
GW 11 133	1P NO - 16A illuminable	With replaceable neutral lens		12/24
GW 11 136	1P NO - 16A	Pull-cord		1/12
GW 11 140	1P NO+NO - 10A	With interlock	UP - DOWN	12/24
GW 11 153	1P NO - 16A illuminable	With replaceable neutral lens	Bell	12/24
No. Chorus modules: 2				
GW 11 171	1P NO - 16A	Neutral		6/24
GW 11 172	1P NO - 16A illuminable	With diffuser		6/24
GW 11 173	1P NO - 16A illuminable	With replaceable neutral lens		6/24

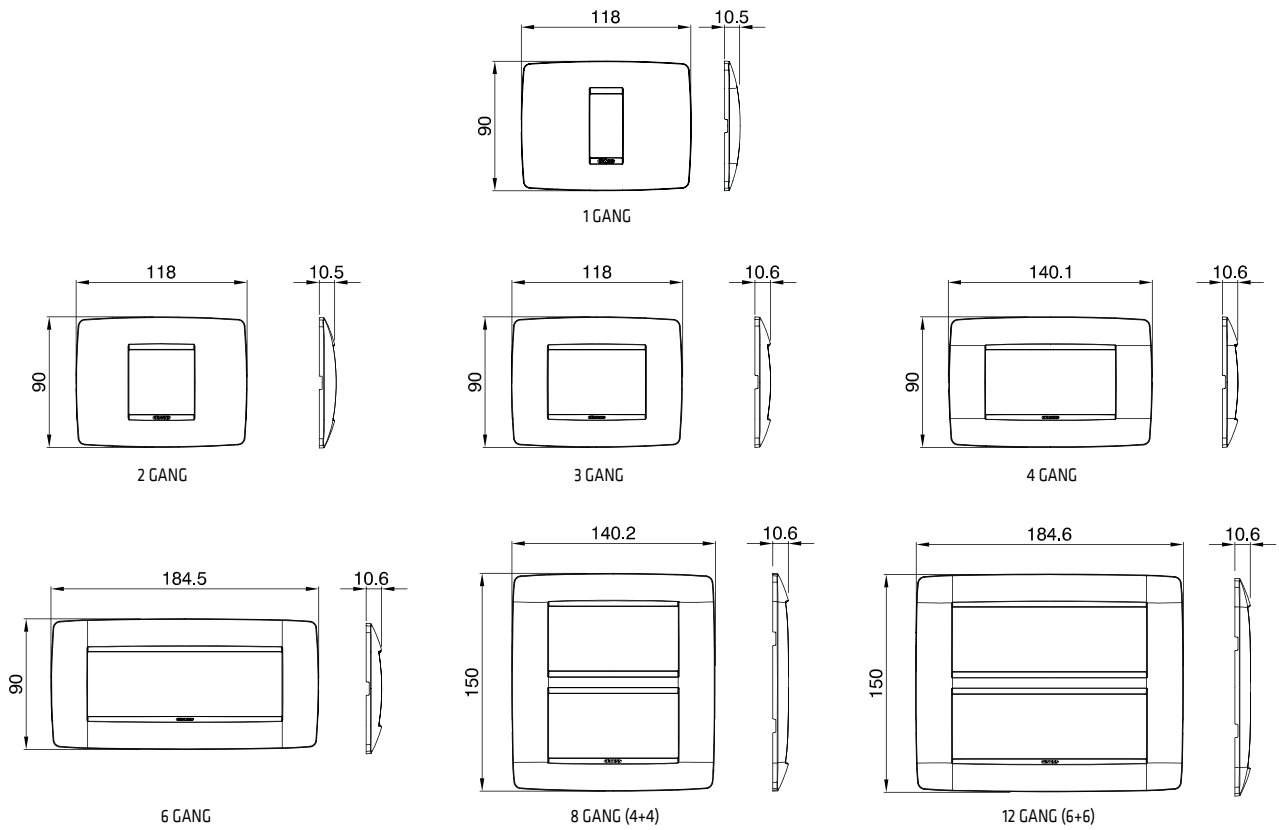
CHARACTERISTICS: the illuminable articles use LED signalling units, not included.

GW11136 Cord in insulating material, 140cm long, with red knob.

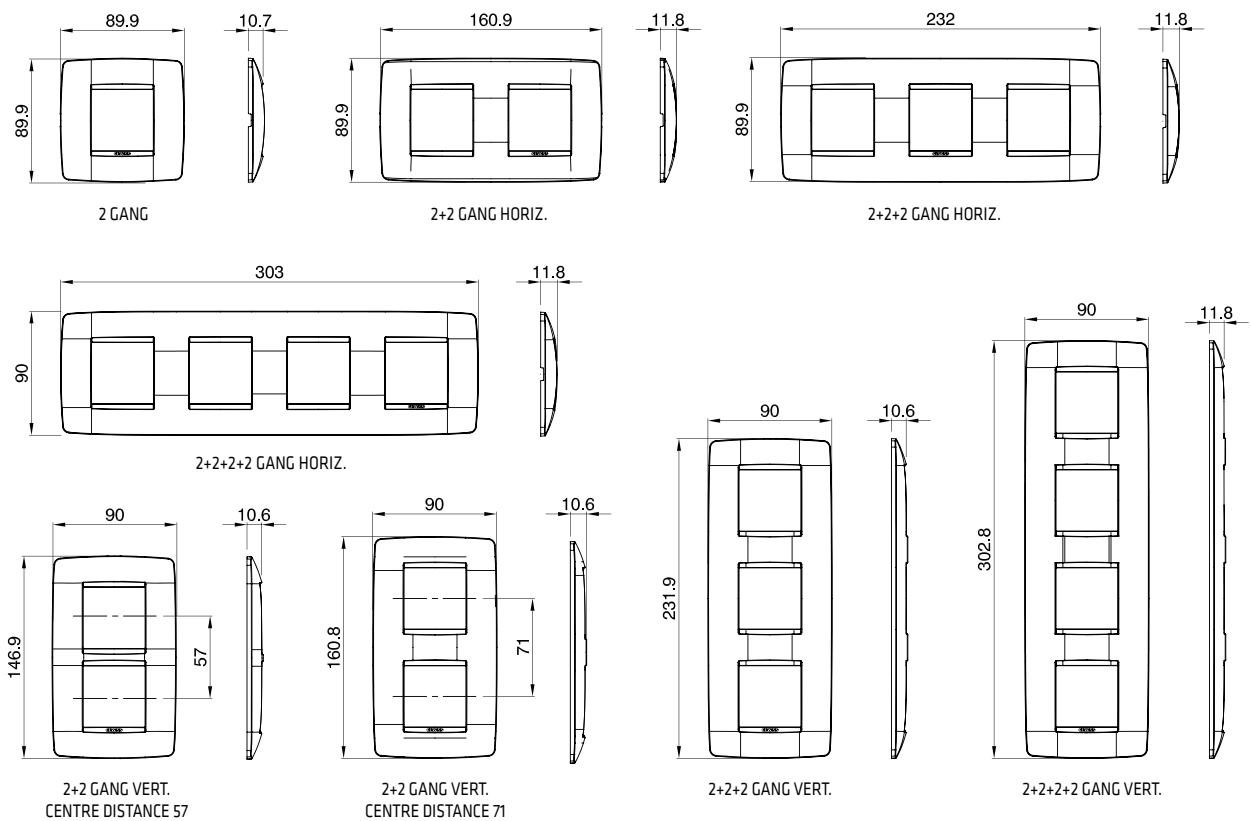
GW11140 button with mechanical interlock.

Both contacts are open in the central position (OFF); advisable for activating motorised devices with direction reversal (e.g. roller-shutters, curtains, etc.).

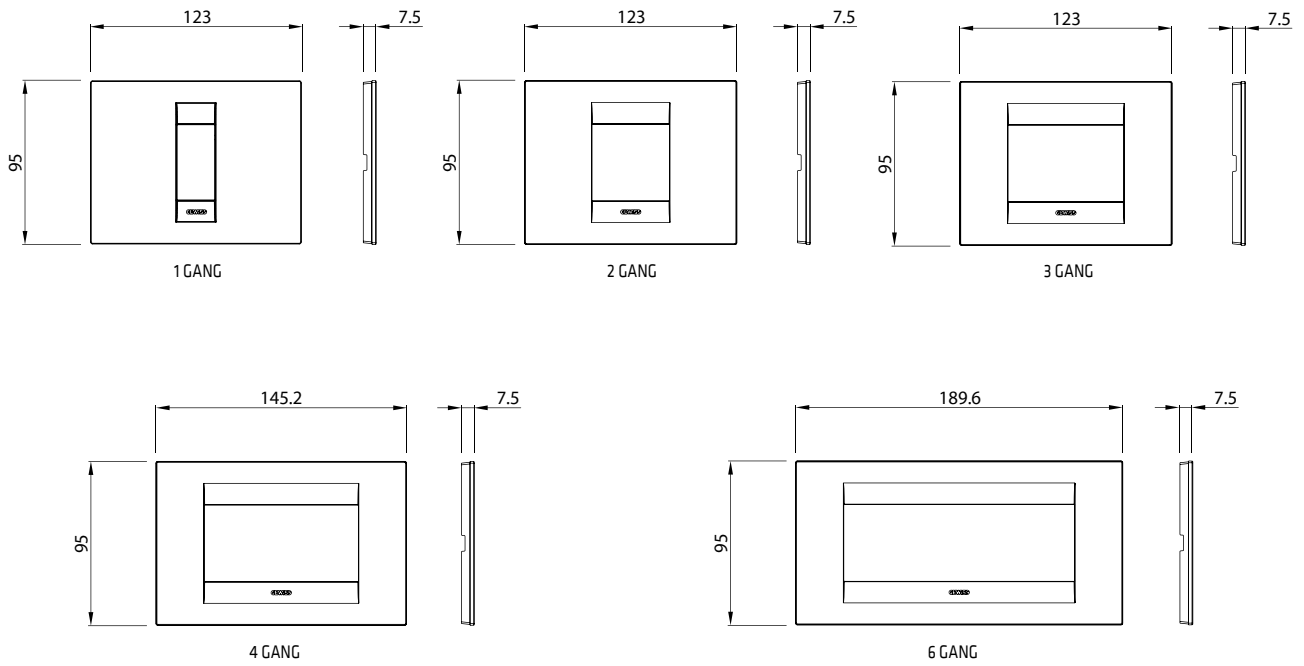
ONE PLATES



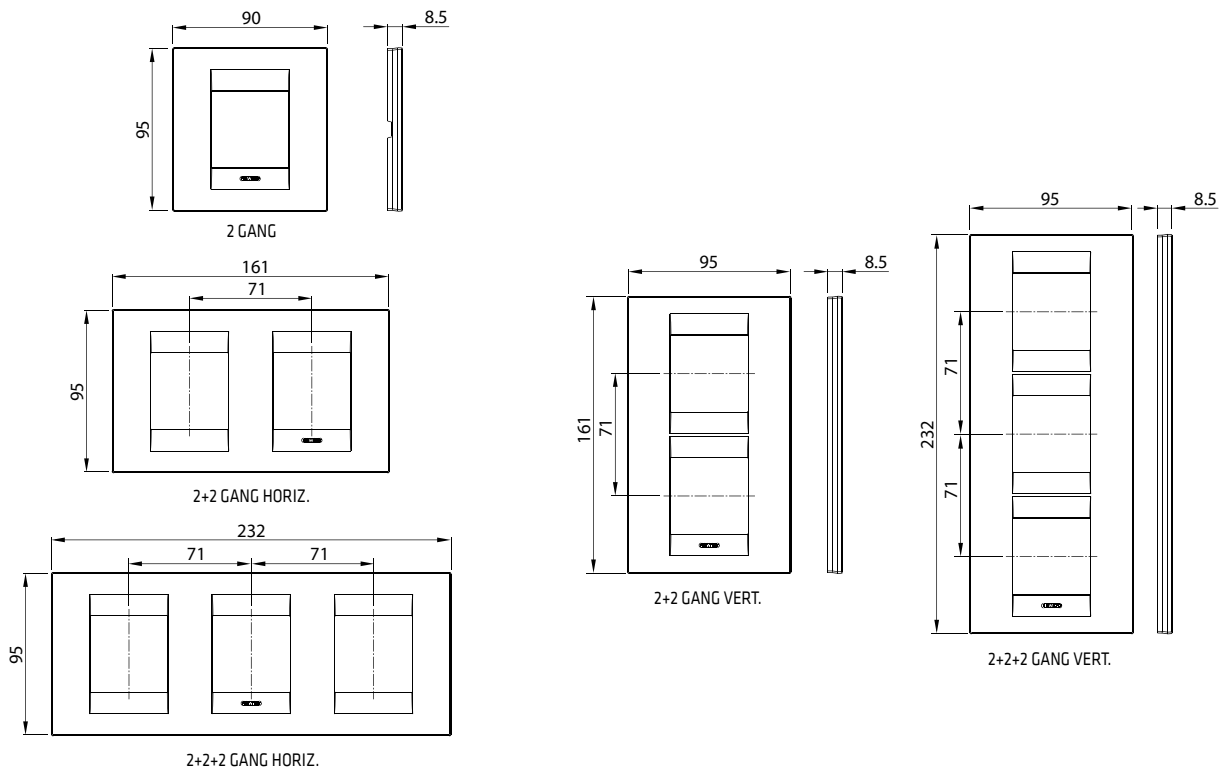
ONE INTERNATIONAL PLATES



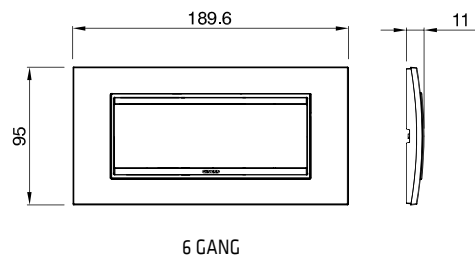
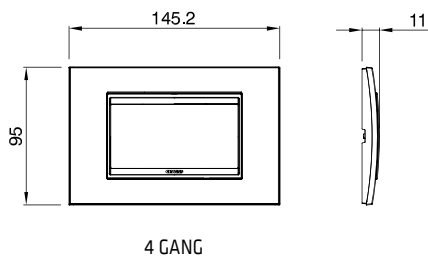
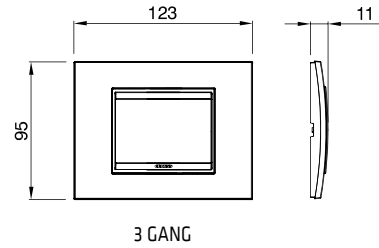
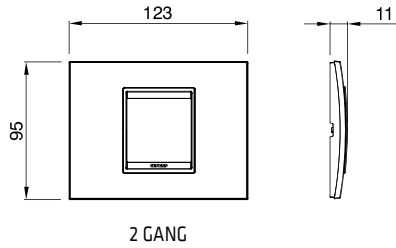
GEO PLATES



GEO INTERNATIONAL PLATES



LUX PLATES



DOMESTIC RANGES

LUX INTERNATIONAL PLATES

