



GW 38 056

USB AND HDMI COUPLERS

Code	Description	Type	Compatibility	Pack Carton
GW 38 056	HDMI coupler	Female/Female	Keystone Jack	1/48
GW 38 057	USB coupler	Female/Female - A type	Keystone Jack	1/48

NOTES: for adapters (Chorus, System, Playbus and Dahlia) with Keystone Jack coupling and for patch-panels.

USB POWER SUPPLY



GW 10 450

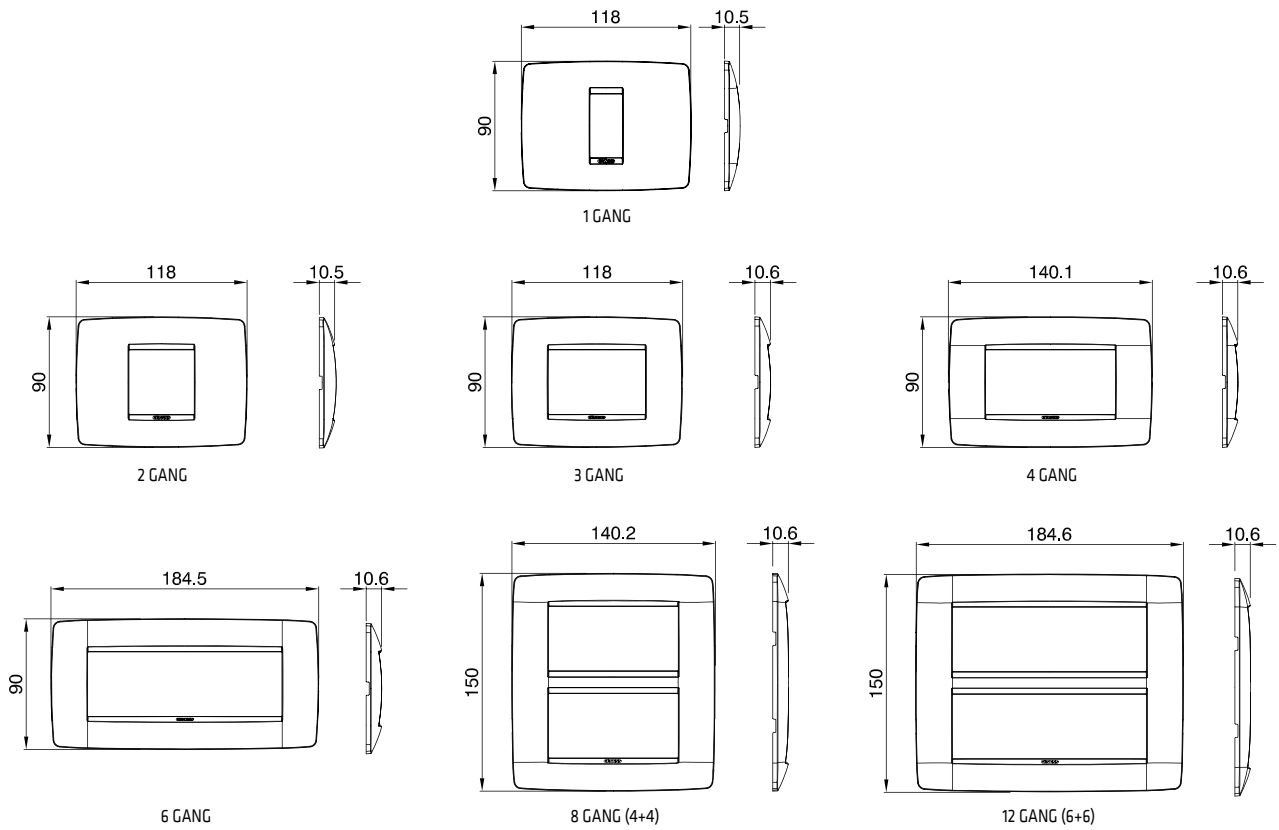
DOUBLE USB POWER SUPPLY FOR ELECTRONIC DEVICES

Code	Supply voltage	Output voltage	Max current supplied	No. Chorus modules	Pack Carton
GW 10 450	100/240 V ac - 50/60 Hz	5V dc	2,1 A	1	1/10

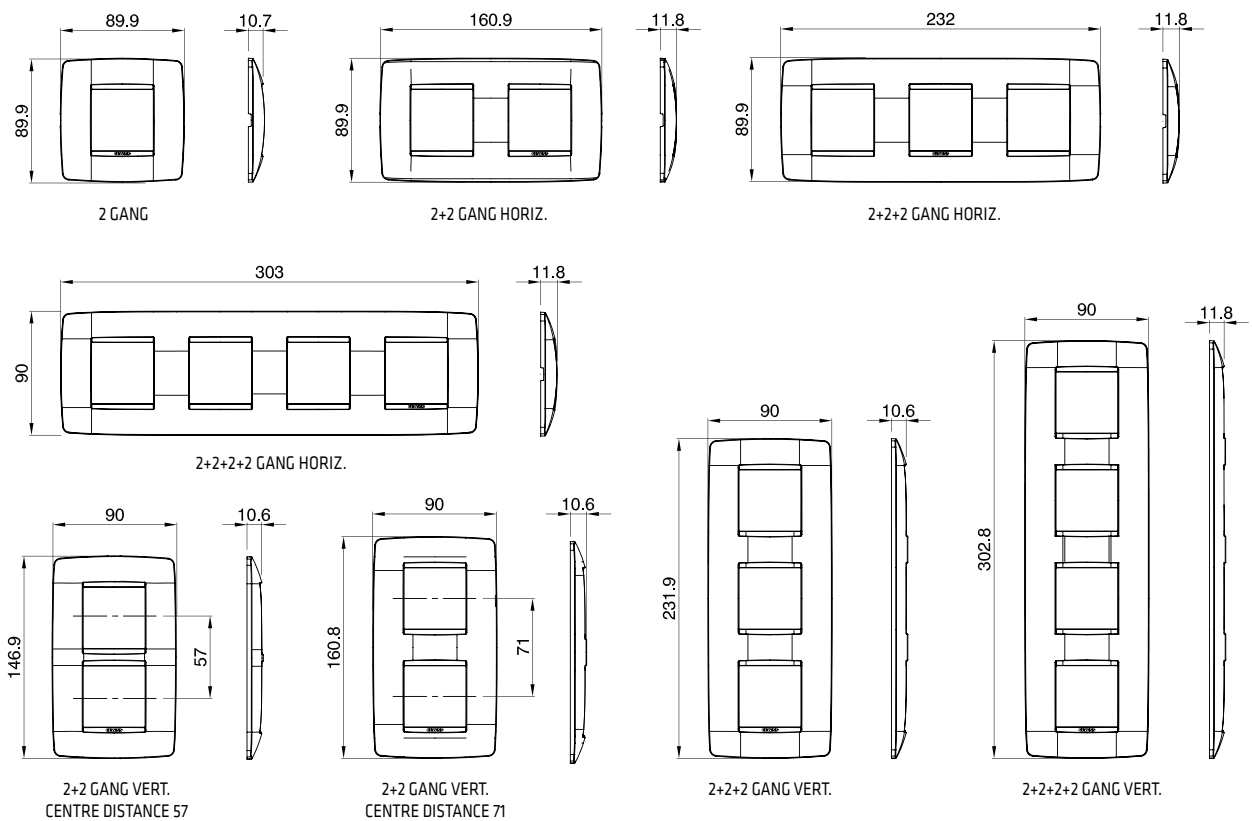
CHARACTERISTICS: equipped with two USB, A-type, female connectors that supply a total of 2.1A.

APPLICATIONS: suitable to recharge a single 2.1A electronic device (e.g.: tablet) or a couple of simultaneous devices (e.g.: tablet and smartphone). The total current provided (max. 2.1A) is split in the two USB outputs, depending on the state of charge of the connected devices.

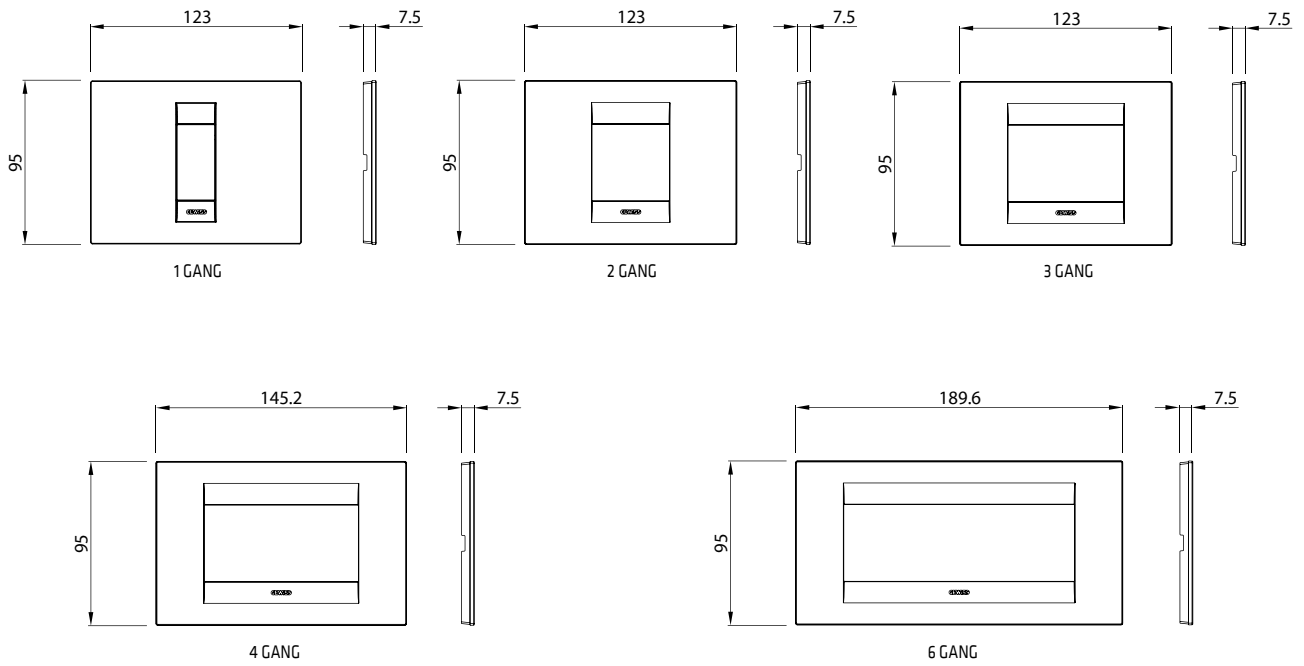
ONE PLATES



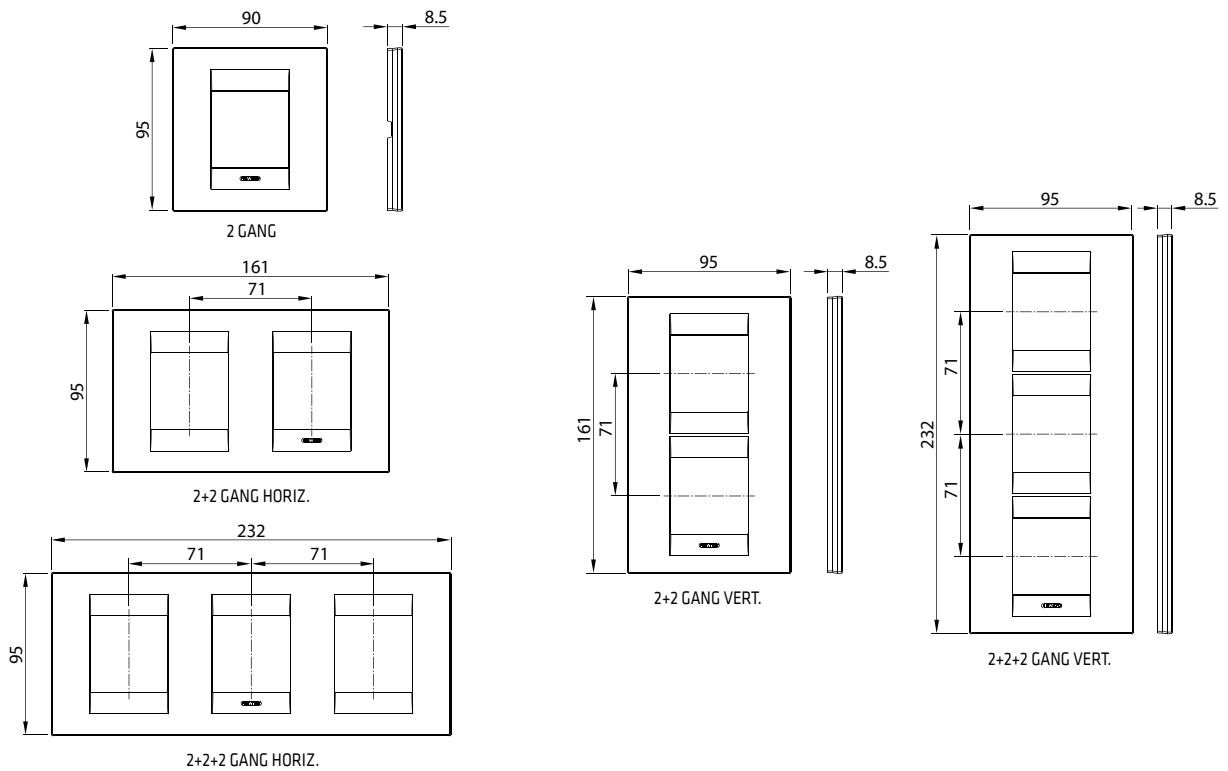
ONE INTERNATIONAL PLATES



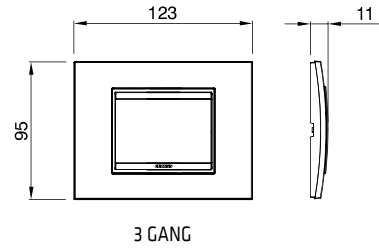
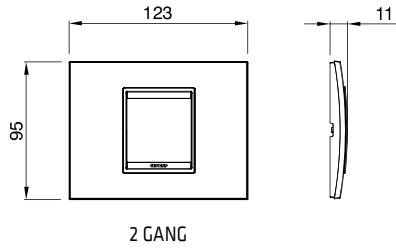
GEO PLATES



GEO INTERNATIONAL PLATES



LUX PLATES



DOMESTIC RANGES

LUX INTERNATIONAL PLATES

