

TELEPHONE SOCKETS



GW 10 403

RJ11 TELEPHONE SOCKETS

Code	Description	Type	Connection	No. Chorus modules	Pack Carton
GW 10 401	RJ11		Screw-on terminals	1	1/24
GW 10 402	RJ11	In out	Impact tool	1	1/24
GW 10 403	RJ11	Double	Impact tool	1	1/24

CHARACTERISTICS: GW10402, GW10403 impact tool insulator punching connection. GW10402 connector with double terminal board (input and output) to facilitate the shunt of a second line.
APPLICATIONS: telephone, telefax, modem.



GW 10 409

RJ11 TELEPHONE SOCKET

Code	Description	Connection	No. Chorus modules	Pack Carton
GW 10 409	RJ11	Screw-on terminals	2	1/24

APPLICATIONS: telephone, telefax, modem.



GW 10 410

DOUBLE RJ11 SOCKET WITH ADSL FILTER

Code	Description	No. Chorus modules	Pack Carton
GW 10 410	ADSL filter with dual RJ11 socket	2	1/24

CHARACTERISTICS: BUS-type rear terminal for connecting up to 4 cables. Built-in ADSL filter.
APPLICATIONS: to be used for the simultaneous connection of telephone devices and modem/PC.

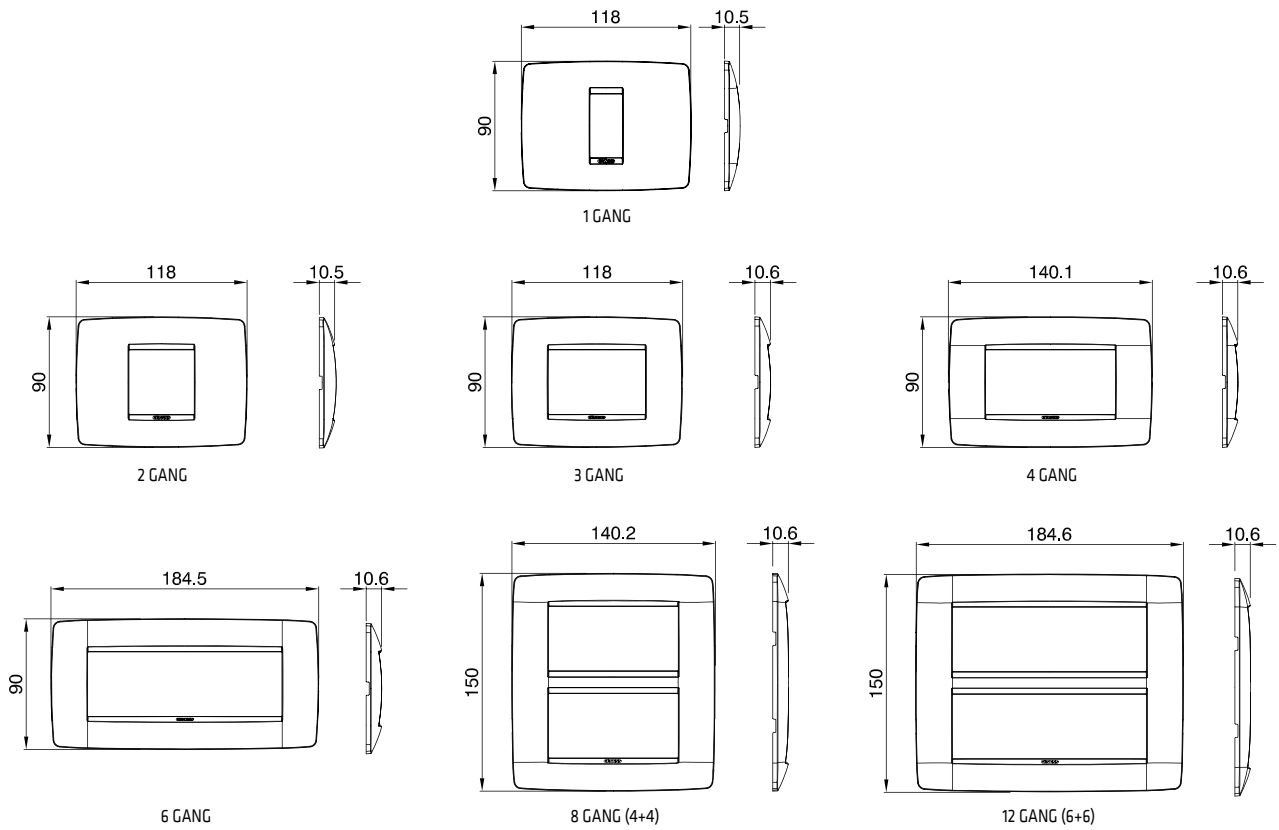


GW 10 405

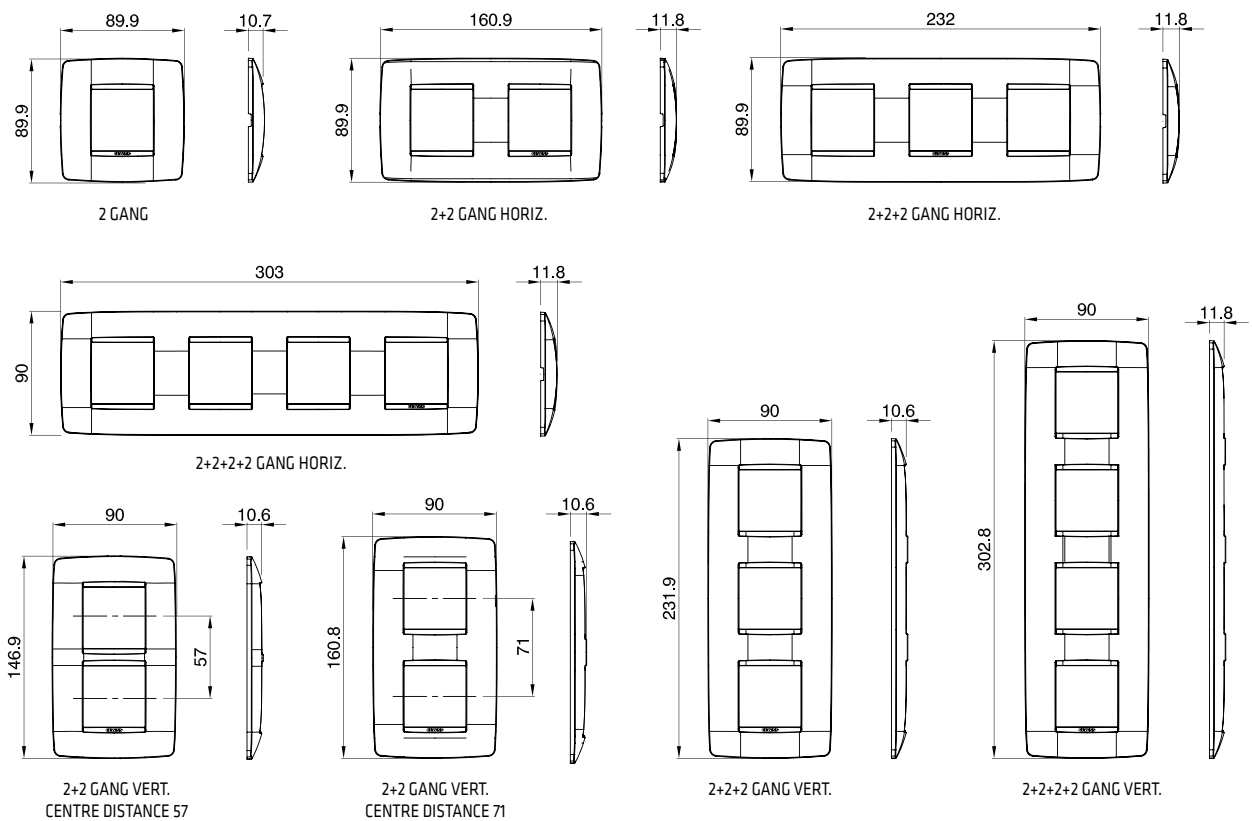
FRENCH STANDARD TELEPHONE SOCKET

Code	Description	Connection	No. Chorus modules	Pack Carton
GW 10 405	8 contacts	Screw-on terminals	1	1/24

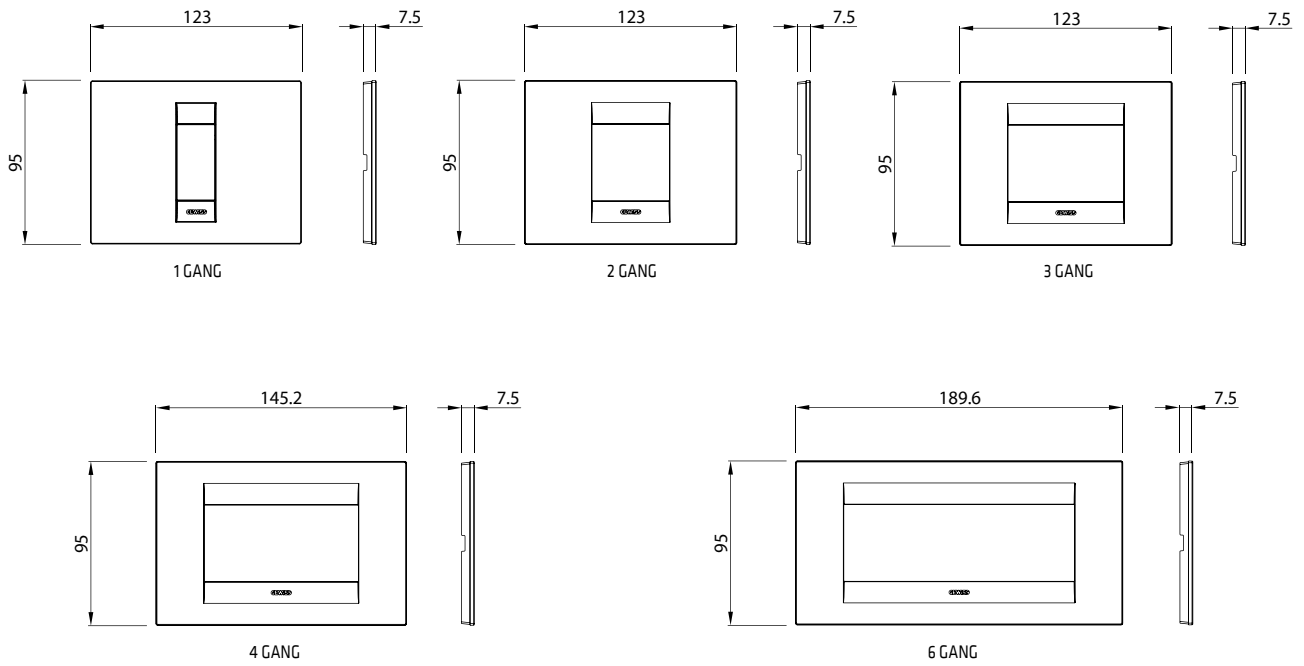
ONE PLATES



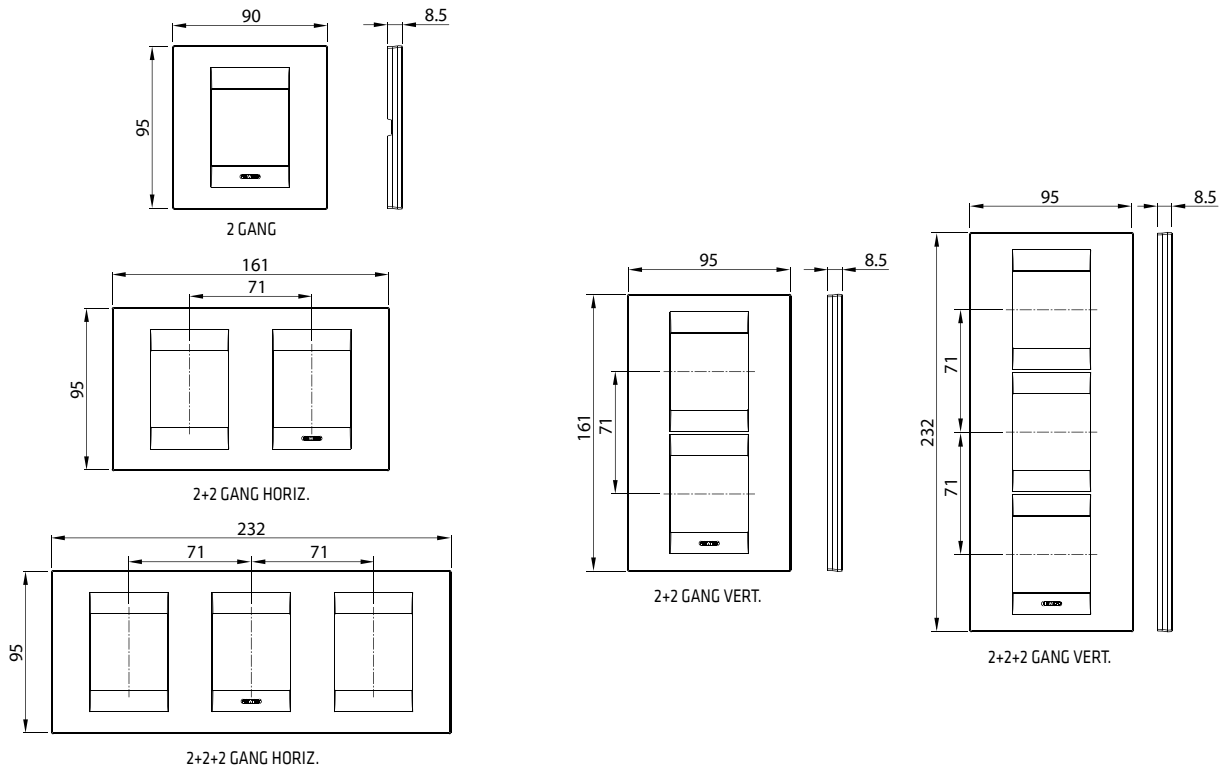
ONE INTERNATIONAL PLATES



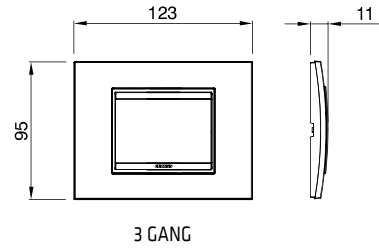
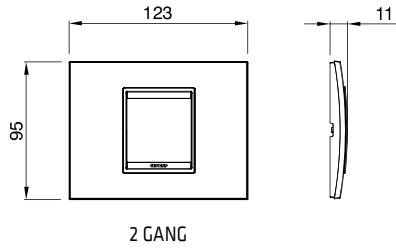
GEO PLATES



GEO INTERNATIONAL PLATES



LUX PLATES



DOMESTIC RANGES

LUX INTERNATIONAL PLATES

