

## SOCKET-OUTLETS FOR DEDICATED LINES - ITALIAN/GERMAN STANDARD



GW 10 213

### ITALIAN STANDARD SOCKET-OUTLETS FOR DEDICATED LINES - 250V AC

| Code      | Description               | Colour | Socket-out type | For plug pins | No. Chorus modules | Pack Carton |
|-----------|---------------------------|--------|-----------------|---------------|--------------------|-------------|
| GW 10 213 | 2P+E - 16 A Dual amperage | Red    | P11-P17         | Ø 4 / 5 mm    | 1                  | 12/24       |
| GW 10 223 | 2P+E - 16 A Dual amperage | Green  | P11-P17         | Ø 4 / 5 mm    | 1                  | 12/24       |
| GW 10 233 | 2P+E - 16 A Dual amperage | Orange | P11-P17         | Ø 4 / 5 mm    | 1                  | 12/24       |

**CHARACTERISTICS:** with safety shields.



GW 10 214

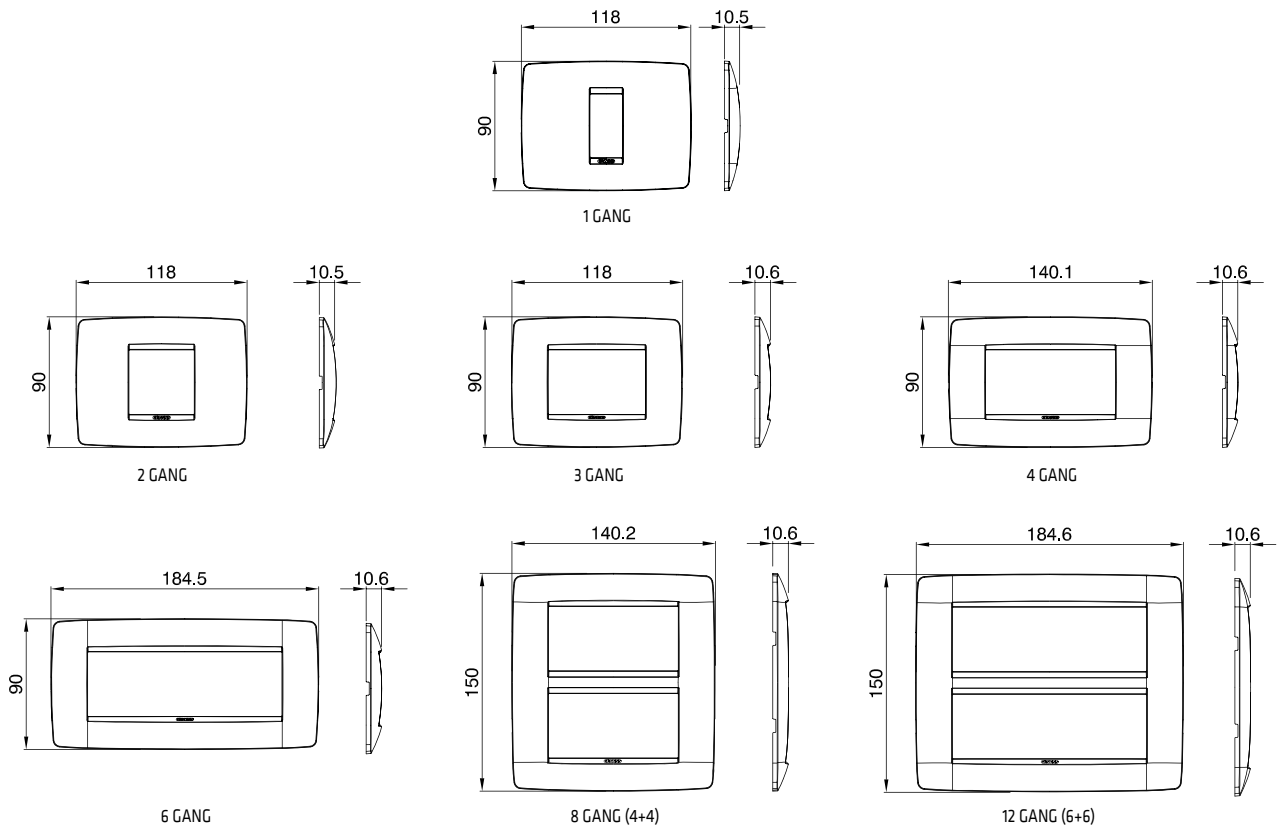
### ITALIAN/GERMAN STANDARD SOCKET-OUTLETS FOR DEDICATED LINES - 250V AC

| Code      | Description                           | Colour | Socket-out type | For plug pins    | No. Chorus modules | Pack Carton |
|-----------|---------------------------------------|--------|-----------------|------------------|--------------------|-------------|
| GW 10 214 | 2P+E - 16 A Dual amperage illuminable | Red    | P40             | Ø 4 / 4.8 / 5 mm | 2                  | 6/12        |
| GW 10 224 | 2P+E - 16 A Dual amperage illuminable | Green  | P40             | Ø 4 / 4.8 / 5 mm | 2                  | 6/12        |
| GW 10 234 | 2P+E - 16 A Dual amperage illuminable | Orange | P40             | Ø 4 / 4.8 / 5 mm | 2                  | 6/12        |

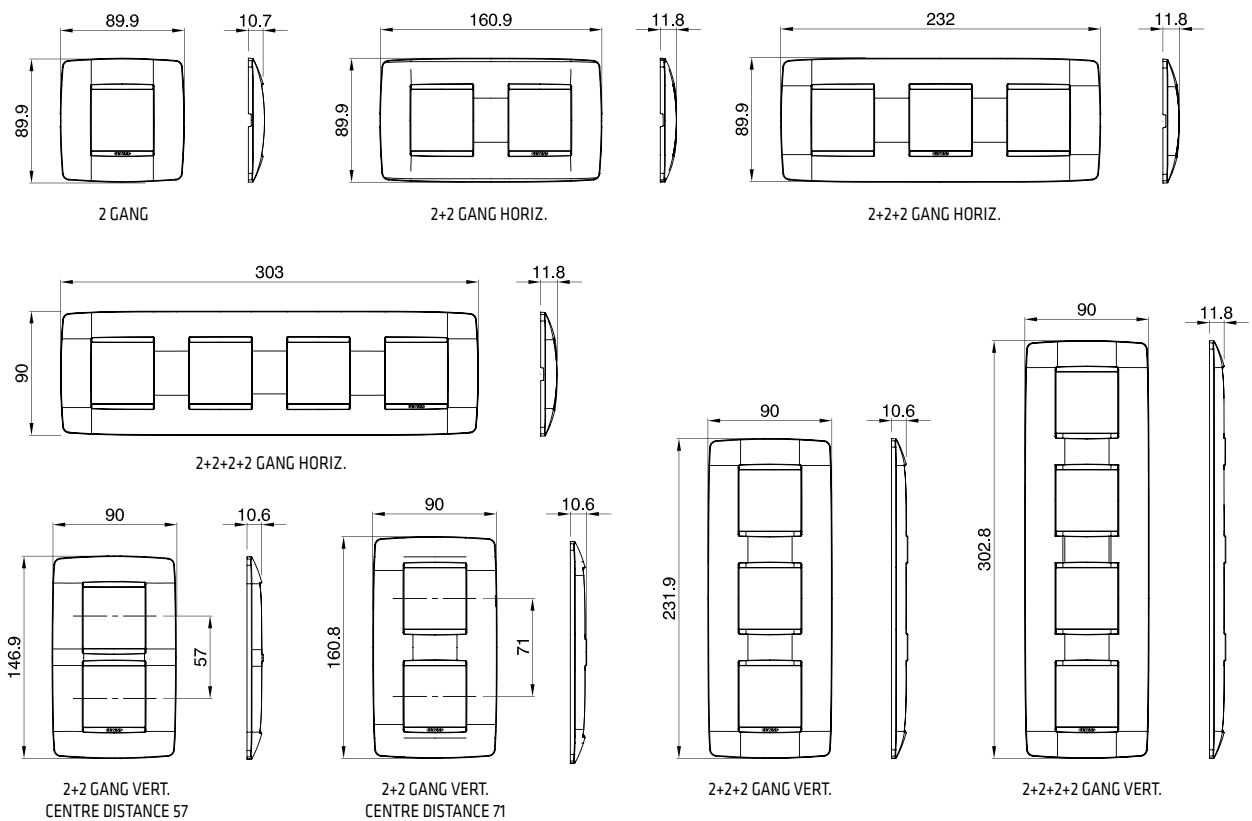
**CHARACTERISTICS:** with safety shields. Pit of side and central earth contacts. Pre-arranged for housing LED signalling units, not included.

**APPLICATIONS:** possibility to indicate presence of auxiliary network.

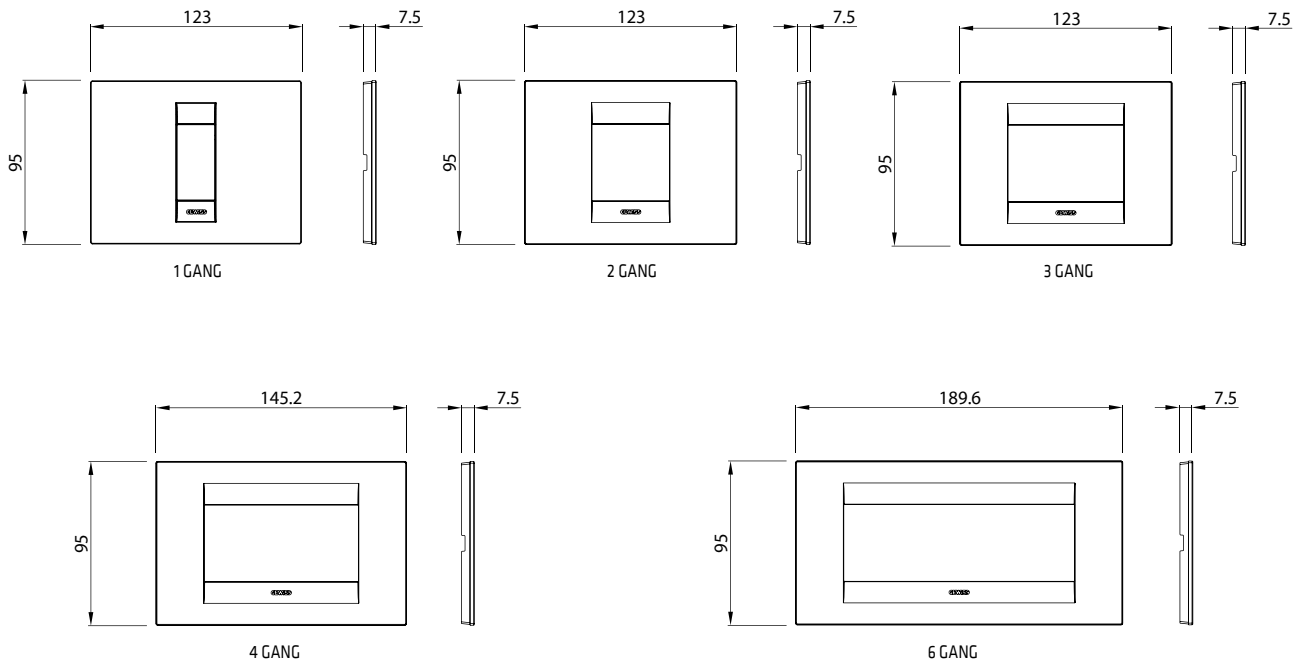
**ONE PLATES**



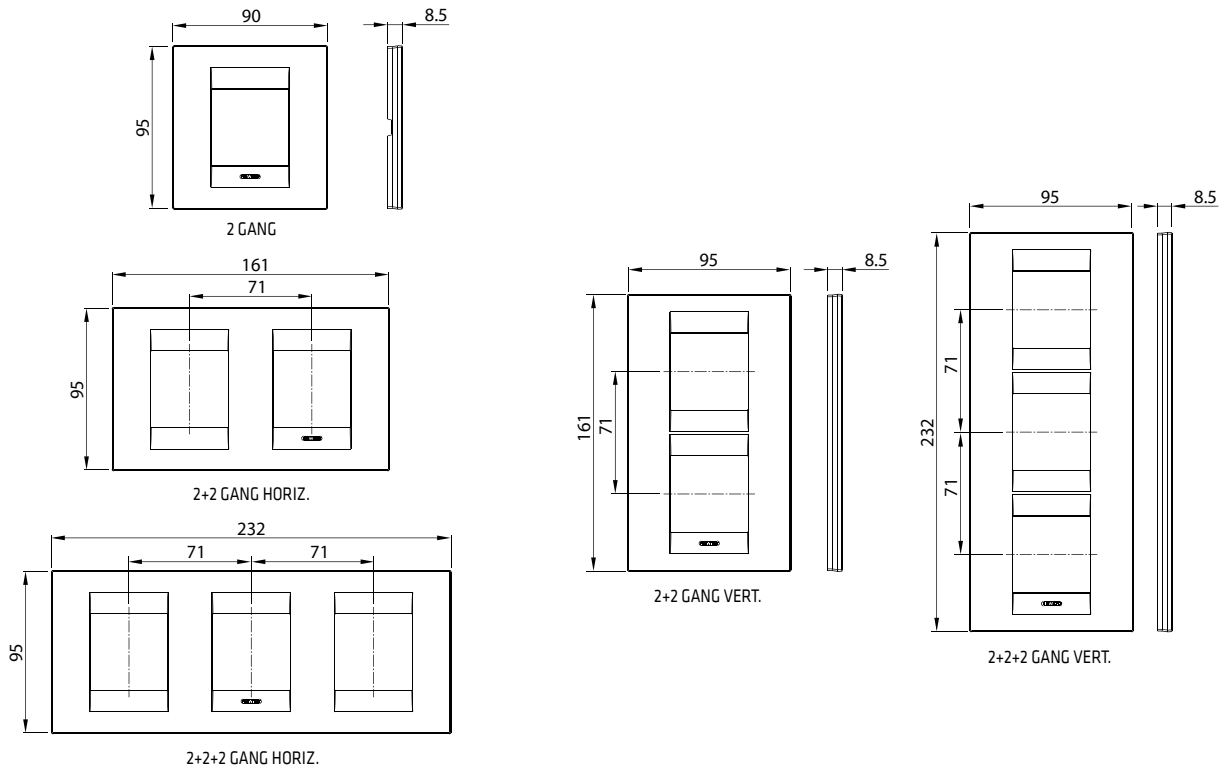
**ONE INTERNATIONAL PLATES**



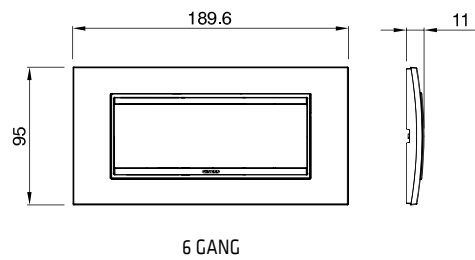
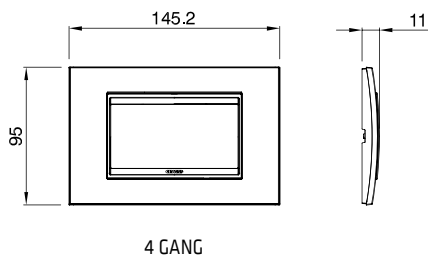
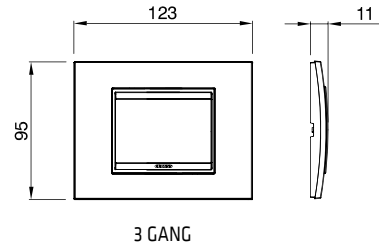
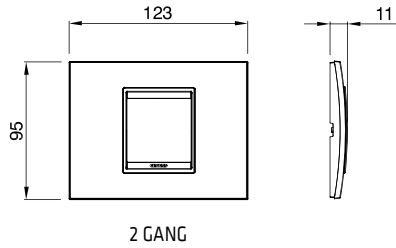
## GEO PLATES



## GEO INTERNATIONAL PLATES



**LUX PLATES**



DOMESTIC RANGES

**LUX INTERNATIONAL PLATES**

